



Cabinet Specification Guide

2021

cnc

cabinetry®

New in this Book

SKU Name Changes:

| Old SKU | New SKU |
|--------------|-------------------|
| WF3 | F330 |
| WF6 | F630 |
| WF342 | F342 |
| TF396 | F396 |
| TF696 | F696 |
| *Classic BF3 | F330.5 |
| VWES30 | FS330 |
| VWES42 | FS42 |
| VTES96X12 | FS9612 |
| VTES96X24 | FS9624 |
| VBES30 | FSV (Vanity Skin) |
| VBES30 | FSB |

Additions:

| Luxor Exclusive: | Elegant White (EB10) Exclusive: | Concord: | Classic: | Vanguard: |
|------------------|---------------------------------|----------|-----------|------------|
| 3918 | 3918 | CBS10 | B42 POS42 | MR1830 |
| 3924 | 3924 | | | MR2430 |
| DB36 | VDB21 | | | MR3030 |
| VDB2121 | VDB24 | | | MR3630 |
| VDB2421 | Corbel-CSB10 | | | VDB6021-DC |
| | POST5-C | | | VOB6021-DC |
| | POST5-R | | | VDD3021 |
| | | | | VDD3621 |
| | | | | VDD4221 |

Discontinuations:

*Please note that the Nutmeg color is no longer available in the Sierra and Elegant collections

| All Collections: | Country: | Concord: |
|--------------------------|---------------|----------------------------|
| BF3 | WS30/36/42 | VOS (Valence Open Shelves) |
| BF6 | PR3018 | |
| DWR1 | BS24 | |
| DWR6 | WR3018 | |
| REP184 | MW3018 | |
| REP190 | BSP6/9 | |
| BSP6-Country and Classic | VALI-30/48/60 | |
| BSP9-Country and Classic | | |

| | |
|---|-----|
| Policies & Procedures | 6 |
| Cabinet Code Key | 10 |
| Collections and Styles | 14 |
| Displays & Samples | 20 |
| | |
| Luxor Collection | |
| Door Styles & Specifications | 24 |
| Wall Cabinets..... | 26 |
| Base Cabinets..... | 33 |
| ADA Base Cabinets..... | 36 |
| Tall Cabinets..... | 38 |
| Accessories..... | 41 |
| Vanities & Medicine Cabinets..... | 42 |
| Fillers & Moldings..... | 46 |
| | |
| Country Collection | |
| Door Styles & Specifications | 51 |
| Wall Cabinets..... | 54 |
| Base Cabinets..... | 60 |
| Tall Cabinets..... | 63 |
| Accessories..... | 65 |
| Vanities & Medicine Cabinets..... | 66 |
| Fillers & Moldings..... | 69 |
| | |
| Concord Collection | |
| Door Styles & Specifications..... | 74 |
| Wall Cabinets..... | 78 |
| Base Cabinets..... | 91 |
| Tall Cabinets..... | 101 |
| Accessories..... | 105 |
| Vanity & Medicine Cabinets..... | 108 |
| Fillers & Moldings..... | 111 |
| Decorative Accessories..... | 114 |
| | |
| Classic Collection | |
| Door Styles & Specifications..... | 120 |
| Wall Cabinets..... | 124 |
| Base Cabinets..... | 133 |
| Tall Cabinets..... | 142 |
| Accessories..... | 145 |
| Vanity Cabinets..... | 146 |
| Fillers & Moldings..... | 147 |
| | |
| Modifications & Upgrades | 153 |
| | |
| Vanguard Collection | 159 |
| Granite Tops | 163 |
| Cabinet Care & Warranty | 167 |

General Information

Policies & Procedures

Design & Pricing Software

CNC Cabinetry provides a product catalog compatible with 2020 Design & ProKitchens Design Software. These are downloadable via our website at www.cnccabinetry.com. CNC Cabinetry does not take responsibility for discrepancies between design software and actual invoices.

Terms & Standards

All prices and specifications are subject to change. All prices F.O.B. from your closest CNC Distribution center. Prices do not include any applicable sales tax and standard shipping charges. Contact your CNC sales representative to establish a multiplier. Terms of payment offered are COD and credit. To apply for credit, please visit our website at www.cnccabinetry.com/creditapp.

Placing Orders

To ensure efficiency, orders should be placed by fax or email only, using CNC order forms. Orders and modifications cannot be taken by phone. **IMPORTANT:** Once an order is placed and sent into production, **NO CHANGES** can be made. Canceled or modified orders after approval, will have a 20% restocking fee (if the order has not yet been shipped). Orders are automatically scheduled for next available delivery day to your area unless specified otherwise. Please include a requested delivery date, address and point of contact on the order form. To avoid duplicate shipments, we need a P.O. number for any order coming into CNC.

All orders placed will be processed immediately and confirmations to customers will be faxed or emailed. Signatures are not required on DART cabinets or counter orders. Customers are responsible for reviewing quotes and orders for errors; please be specific when quoting only, by writing "quotes only". Quoting our cabinets is easy by using our order forms.

For C.O.D customers, your Customer Service representative will call to arrange and confirm the delivery a day in advance of shipment, as well as to ensure proper preparation of payment. All discounts and pricing issues must be discussed and agreed upon before delivery.

CNC can provide you with an estimated delivery time thru our Dispatch Track System, via automated email, text or phone call. Customers can also call the local dispatcher directly for the delivery status.

When inquiring about an order please use the CNC sales order number or your P.O. number.

Returns

There will be a 25% restocking fee for any returned cabinet. Shipping/Delivery charges will not be credited for any returns. Please request an RMA, which should be given to the driver (merchandise without an RMA will not be picked up). Cabinets must be returned in the same condition it was in when it was received and in the original packaging. We will not credit any installed cabinets or cabinets without their original box. Non-stock cabinets, custom modifications, wood hoods and countertops (post form and self-edge) are not returnable.

When requesting a return, please provide the CNC sales order number or your P.O. number, so we can process your credit. If cabinets are returned against these rules, the customer will have a 7-day period to pick them up, after this time they will be discarded. Once merchandise is received and inspected at our warehouse, a credit will be issued to your account for the returned merchandise. Please allow CNC 7-14 business days to process your credit. CNC will not accept returns after 30 days.

Damages

If a cabinet or countertop arrives damaged, a replacement will be issued through our Customer Service Department. In order for us to send out the replacement at no charge, pictures of the damages and your CNC sales order or P.O. number must be provided. If you do not have pictures of the damages, we will send the replacement/s for the full price and credit will be applied once we receive the pictures. CNC will not credit damaged cabinets after 15 days of delivery.

Lead times

Cut-off time is 5:00pm Eastern time (M-TH) 12:00 pm Eastern time (Friday) for assembled and unassembled cabinets. Signatures are required for all modifications and custom orders. Orders containing 50 or more cabinets may have a 10 business day lead time based on inventory availability. Cut off time for Post Form Countertops is 5:00 pm Eastern time(M-TH). Counter deliveries for Monday must be placed before 1:00 pm on Thursday. Post Form special cut outs, assembled miters and cut downs have a lead time of one to two additional business day(s). Stocked countertops (post form) over 12 pieces have a 7-day lead time.

Shipping

CNC offers delivery service with our own fleet of trucks that will deliver within the local area of our flagship facilities for a minimum charge. Deliveries are curbside only. Job site deliveries are available upon request for a minimal fee. Should you want a white glove service, it can be arranged. Please contact your Customer Service representative for pricing and details.

Floor Load truck loads will be charged \$250.00 per truck load.

COD customers must hand payment to the driver before unloading (in case of back orders or damages, an authorization should be obtained from Customer Service for the deduction).

Refused orders or missed pick up will be charged a re-delivery fee or re-pick up fee of \$200.00.

Outside of our flagship facility area, we ship via Common Carrier, where the best available pallet rate will be chosen. If a customer sends their own carrier to pick up cabinets, CNC will not be responsible for filing damage claims. (Please note a pallet fee will be applied to the order per pallet). Storage fees will occur on any order that we hold for more than 1 week at a rate of \$100.00 per pallet, charged monthly.

Countertops (Self-edge and Post Form) and Vanity tops cannot ship via Common Carrier

Orders cannot be picked up on the day of completion.

Expedited Service

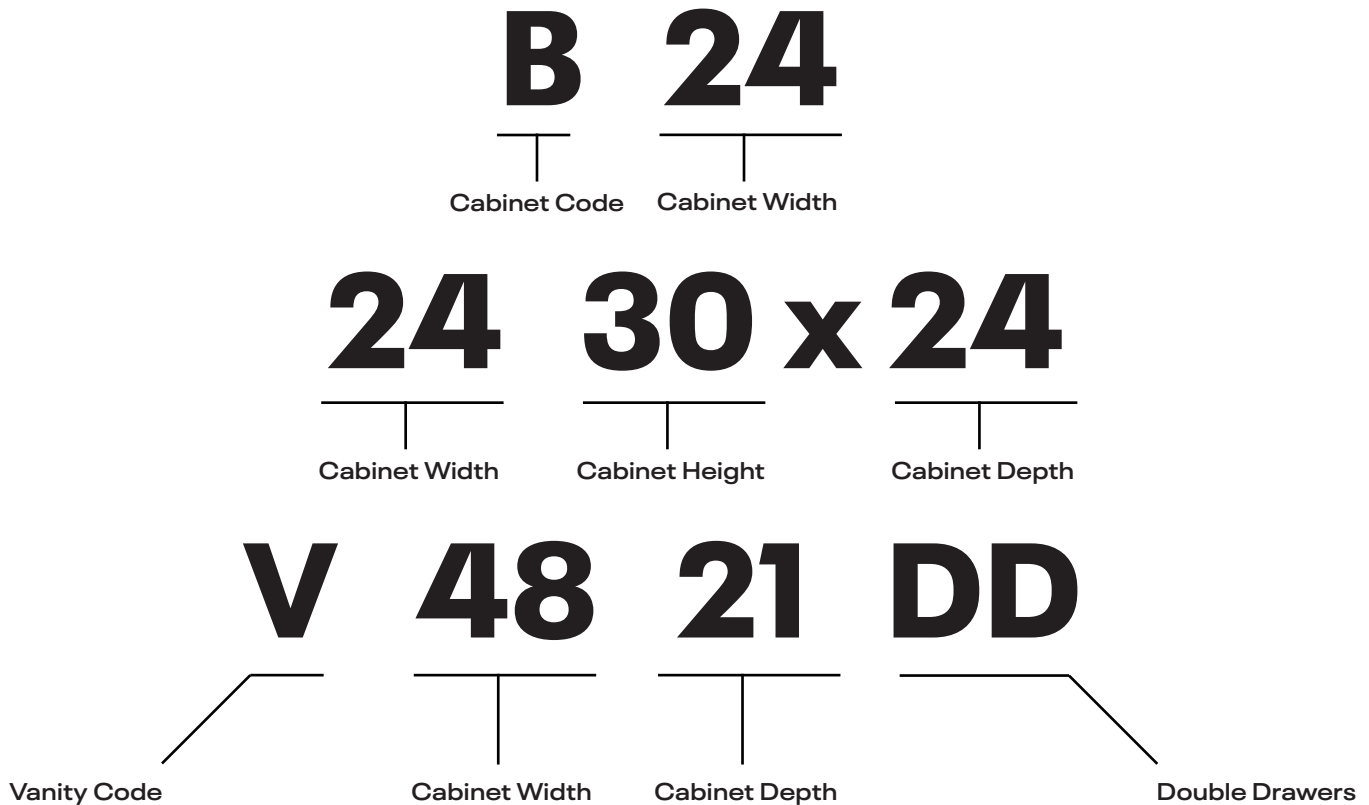
If you need an order faster than our published lead times, we can expedite your order based on style and availability for an additional 25% surcharge. Please ask your customer service rep about it.

Special Orders

A 50% deposit is required for special/non-stock items.

Cabinet Code Key

Cabinet Code Key



When looking at product codes it is important to note each element within the code in order to ensure you are ordering the correct cabinet piece. For example, the codes displayed above would translate to:

Base Cabinet; 24" Wide x 34½" High

Wall Cabinet; 24" Wide x 30" High x 24" Deep

Vanity Cabinet; 48" Wide x 21" Deep; Double Drawers

Additionally, it is important to note the following when selecting and ordering cabinets:

- Standard Wall cabinets are 12" deep
- Refrigerator cabinets are 24" deep
- Standard Base cabinets are 34½" high and 24" deep
- Add door thickness for total cabinet depth
- Vanity Cabinets are 32½" high for Country Collection; 34½" high for Luxor, Concord and Classic Collection
- Handicap Accessible/Removable cabinets are indicated with 'HA' or 'HR' at the end of a product code

Wall Cabinets

3030 - Wall Cabinet
CW 2430 - Corner Wall Cabinet
BLW 27/3030 - Blind Wall Cabinet
WS30 - Wall Shelf
WSQ2430 - Square Corner Wall Cabinet
WEC1230 - Wall End Cabinet
PR - Plate Rack
WR - Wine Rack
WSP - Wall Spice Rack
MW3030 - Microwave Cabinet

Base Cabinets

B 30 - Base Cabinet
DB12 - Drawer Base Cabinet
BLB36/39 - Blind Base Cabinet
CSF/CSFFL - Diagonal Corner Sink Front/Floor
CSB36 - Corner Sink Base
CAR33 - Lazy Susan Corner Base Cabinet
SB24 - Sink Base
BS24 - Base Shelf
BWBK15 - Waste Basket Cabinet
BTC2412 - Angle Base End Cabinet
BEC24 - Base End Cabinet
BSP6 - Base Spice Rack
B9-HA - Base; Handicap Accessible
SB30-HR - Base; Handicap Removable

Tall Cabinets

UC2424x84 - Utility Cabinet
OV3384 - Oven Cabinet

Accessory Cabinets

POS - Pullout Shelf
WD/WDC - Top of Counter Cabinet
WHA/P/V/C - Wood Hoods

Vanity Cabinets

V2418 - Vanity Sink Base
V3021D - Door and Drawer Vanity Sink Base
V4821DD - Double Door and Drawer Vanity Sink Base
VDB15 - Vanity Drawer Base
VBD3021 - Bottom Drawer Vanity
VDD3021 - Double Drawer Vanity
VOB2421 - Open Bottom Vanity
MC1830 - Medicine Cabinet
DD30 - Desk Drawer

Collections and Styles

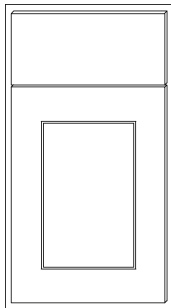
Luxor Collection

The Luxor Collection is our partial overlay cabinet constructed from all plywood. All drawer boxes are made with dovetail construction and come with a slab drawer front and soft-close undermount glides.

Price Code: J

Luxor

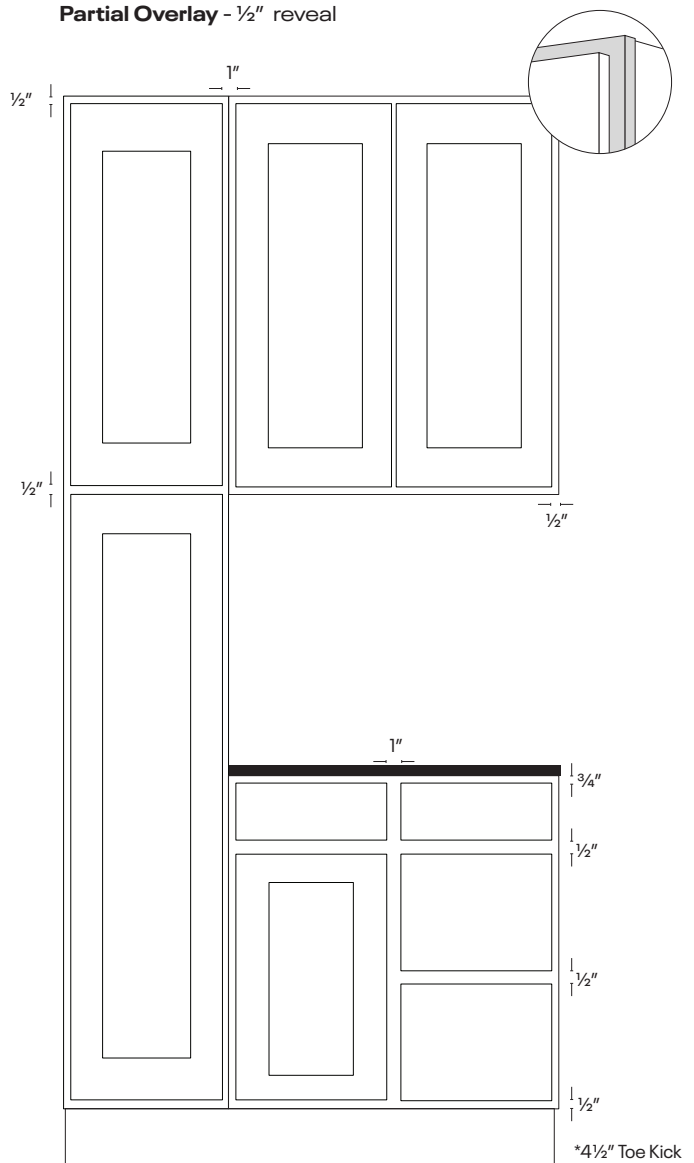
Luxor



- L02 - Smoky Grey
- L06 - Cinnamon
- L10 - White
- L11 - Espresso

A partial overlay, 1/2" reveal, 2 1/2" wide shaker style door with a flat center panel, Mortise and Tenon construction, and a slab drawer front.

Partial Overlay - 1/2" reveal



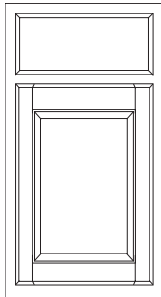
Country Collection

The Country series is our standard overlay cabinet constructed from all plywood. The wall and base cabinets are equipped with 3/4" plywood adjustable shelves and adjustable hinges. In the Sierra door style, all drawer boxes are made with a dove-tail construction, and come with a slab drawer and undermount epoxy glides. In the Country door style, drawer boxes are plywood with side mount glides.

Price Code: G
Oak

Price Code: H
Toffee
Espresso

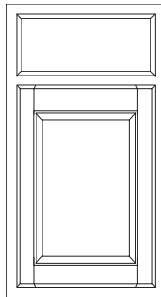
Country Oak



C4 - Oak

A standard overlay, 1" reveal, 5 piece solid wood with a raised MDF veneer center panel. Mortise and Tenon construction, slab drawer front. Oak wood in a Honey finish.

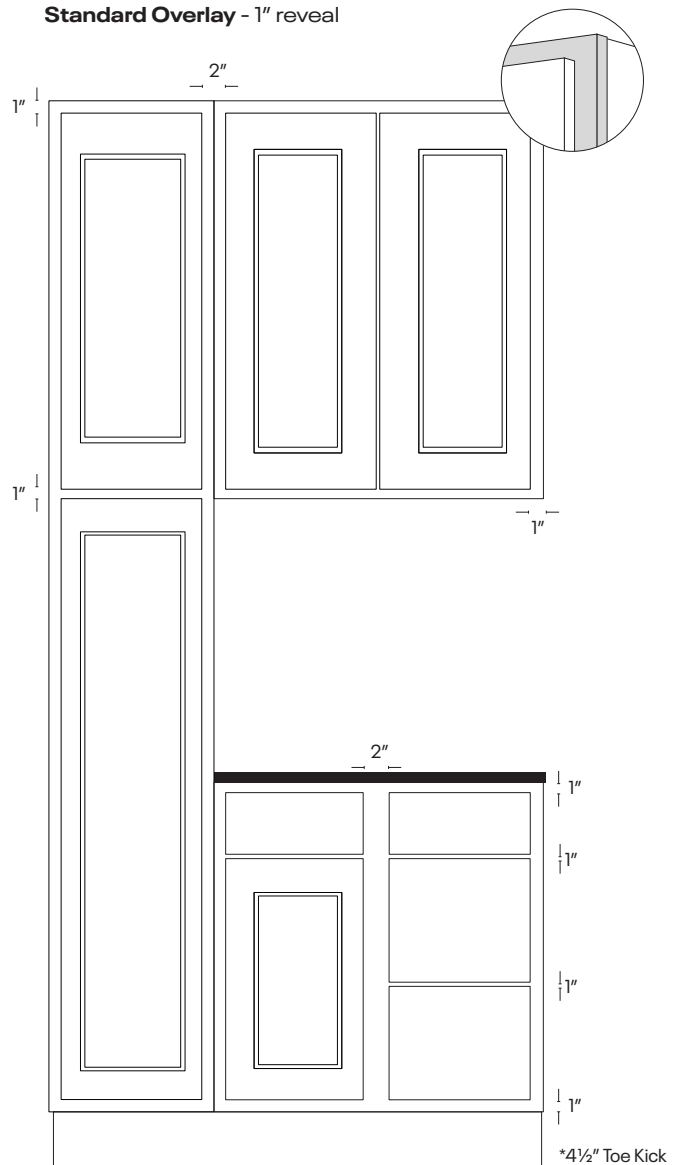
Sierra



S8 - Toffee S11 - Espresso

A standard overlay, 1" reveal, 5 piece solid wood with a raised MDF veneer center panel. Mortise and Tenon construction, and a slab drawer front.

Standard Overlay - 1" reveal



Concord Collection

The Concord series is our full-overlay all plywood cabinet, which comes with full 1/2" back panels, complete with solid wood dovetail drawer box and a 5-piece drawer front, enhanced by a soft-close feature and full extension under-mount glides to create a smooth glide. The cabinetry is equipped with 3/4" adjustable shelves and adjustable soft close hinges. Natural wood finished interiors allow for practicality and ease of maintenance.

Price Code: A
Elegant

Price Code: B
Fashion

Price Code: C
Park Avenue
Richmond
Harmony

Elegant



- EB02 - Smoky Grey
- EB10 - White
- EB11 - Espresso
- EB21 - Ocean Blue
- EB22 - Dove
- EB23 - Stone

A full overlay 5 piece solid wood, with solid MDF veneer flat center panel. Mortise and Tenon construction.

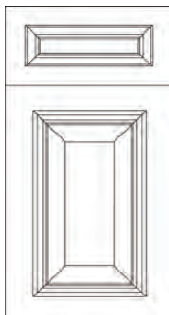
Fashion



- FB10 - White
- FB13 - Pearl
- FB21 - Ocean Blue
- FB22 - Dove

A full overlay 5 piece solid wood, with solid MDF veneer flat center panel. Mortise and Tenon construction.

Park Avenue



- PB10 - White
- PB21 - Ocean Blue

A full overlay 5 piece solid wood, raised panel MDF veneer center. Mitered construction.

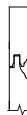
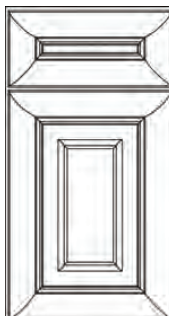
Richmond



- RB10 - White
- RB23 - Stone

A full overlay 5 piece solid wood, with solid MDF veneer flat center panel. Mitered construction.

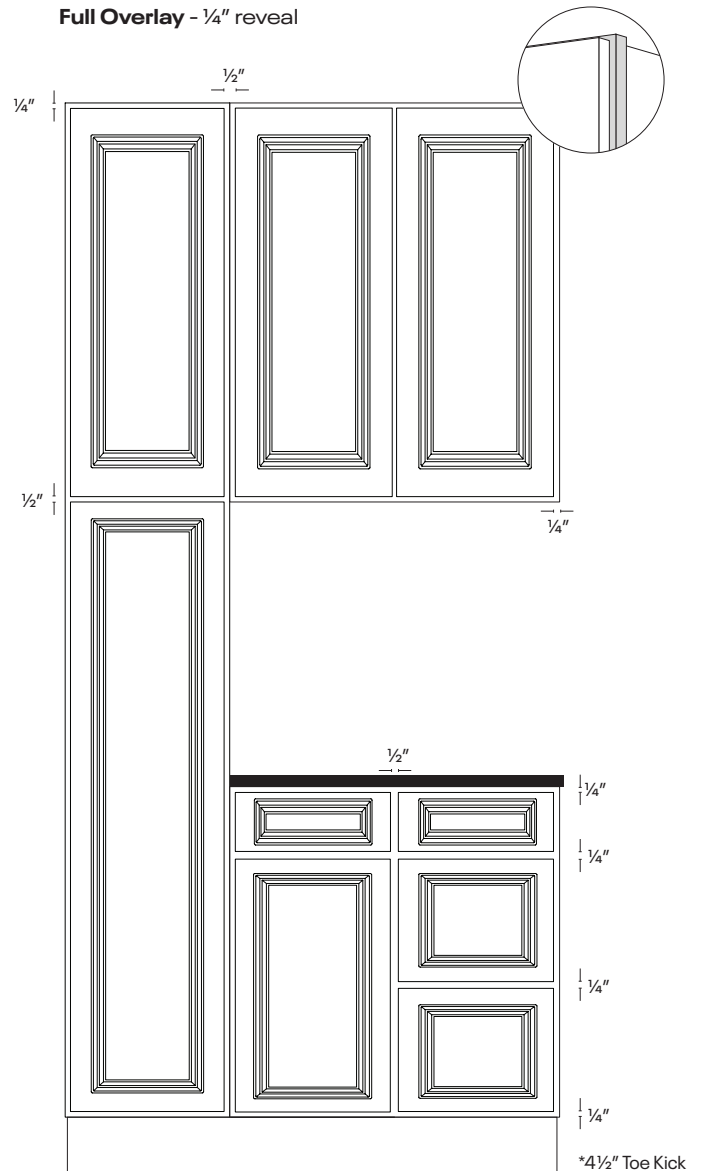
Harmony



- HB13 - Pearl

A full overlay 5 piece solid wood, raised panel MDF veneer center. Mitered construction.

Full Overlay - 1/4" reveal



Classic Collection

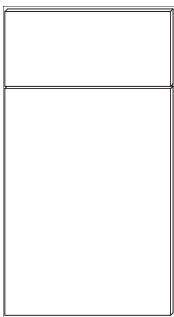
The Classic series is composed of 3/4" vinyl laminated plywood with a frame-less box construction. The metal drawers are outfitted with full extension, under-mount drawer glides, as well as the soft-close feature. The adjustable soft close hinges, 3/4" adjustable full-depth plywood shelves, and dowel and glue-clamped assembly construction create a solid, durable framework for your cabinetry.

Price Code: D
Milano
Matrix

Price Code: E
Alvic-Synchron

Price Code: F
Alvic - Luxe
Alvic- Zenit

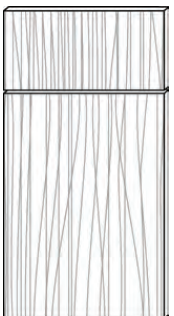
Milano



M14 - White Gloss
M15 - Slate Gloss

A full overlay thermofoil high gloss finish MDF flat panel door.

Matrix



M18 - Silver
M19 - Greystone

A full overlay low pressure laminate flat panel MDF door, with a deep textures finish.

Alvic



Finger-Pull
22mm / 7/8"



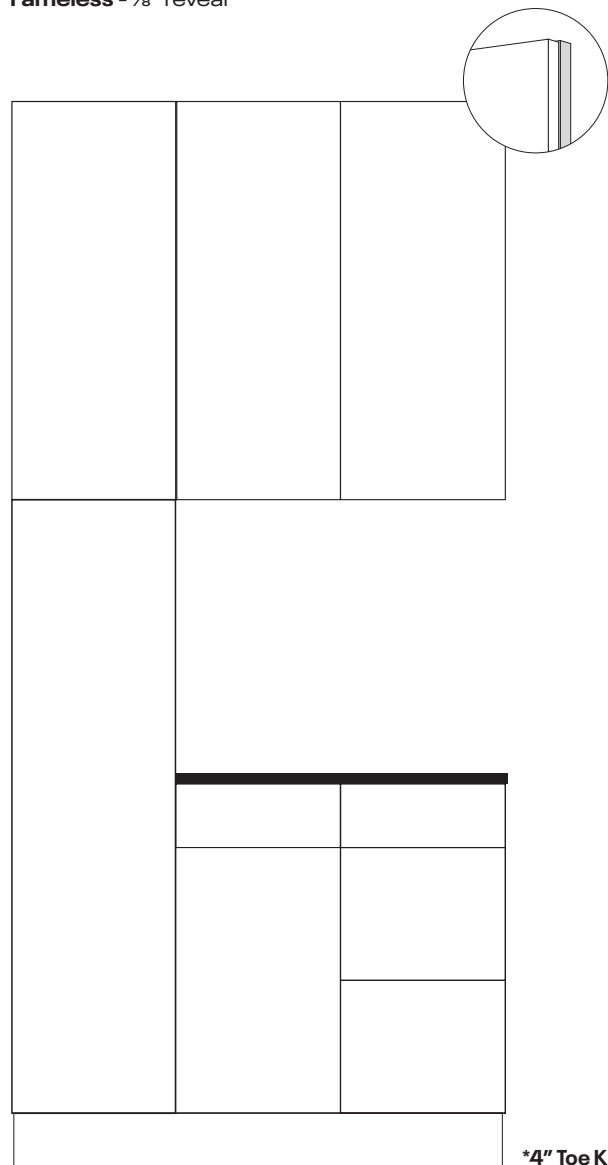
Slab
18mm / 3/4"

***Full color list available on website**

Alvic doors come with a color matching soft postforming edge band. For better ergonomics, the finger pull doors are made 22mm thick and the slab doors are 18mm thick.

*Alvic Doors come standard equipped with Blum hinges

Fameless - 1/8" reveal



***4" Toe Kick**

Displays and Samples

Displays & Samples

| | Item Number | Country | Classic | Concord |
|--|-------------|---------|---------|---------|
| Door Samples SD SBF | SD11X14 | 18 | 18 | 18 |
| | SBF13.5 | 25 | 25 | 25 |

• Net Price

| | | | | |
|---|-------------------|------|------|------|
| Showroom Displays DISP-CENTER B12M | B12M (Mini Base)* | 94.5 | N/A | 132 |
| | DISP-CENTER | 1600 | 1600 | 1600 |

* Only available in Luxor & Elegant White
• Net Price

| | | | | |
|---------------------|---------------------------------|-----|-----|-----|
| Swatches | DISP-BLOCKS | 40 | 40 | 40 |
| | Molding Samples (all) | 50 | 50 | 50 |
| | Granite Sample Box (all colors) | 48 | 48 | 48 |
| | ALL - CS 8x8 (Luxe) | N/A | 15 | N/A |
| | ALS - CS 8x8 (Synchron) | N/A | 15 | N/A |
| | ALZ - CS 8x8 (Zenit) | N/A | 15 | N/A |
| | AL - SET-19 (Top 19 colors) | N/A | 125 | N/A |
| | AL-SET (Full set of 98 colors) | N/A | 400 | N/A |
| | AL-CSB (Sample Book) | N/A | 120 | N/A |

• Net Price (Price includes shipping)

| | | | | |
|-----------------------|-----------------------|---|---|---|
| Literature | DISP-SPEC (Spec Book) | 0 | 0 | 0 |
| | DISP-CATALOG | 0 | 0 | 0 |
| | DISP-VAN (Vanity) | 0 | 0 | 0 |
| | DISP-TRIFOLD | 0 | 0 | 0 |
| | DISP-ALVIC | 0 | 0 | 0 |

Company Name: _____ Order Date: _____ Request Date: _____ Customer PO#: _____

| | | | |
|--|--|--|--|
| | | | |
|--|--|--|--|

**Please list desired quantities next to each individual item below

Door Samples

- SD1X14
- SBF13.5

Country Collection

- Oak** C4 - Honey Oak ____
- Sierra** S8 - Toffee ____ S11 - Espresso ____
- Luxor** L02 - Smoky Grey ____ L06 - Cinnamon ____ L10 - White ____ L11 - Espresso ____

Concord Collection

- Elegant** EB02 - Smoky Grey ____ EB10 - White ____ EB11 - Espresso ____ EB21 - Ocean Blue ____
 EB22 - Dove ____ EB23 - Stone ____
- Fashion** FB10 - White ____ FB13 - Pearl ____ FB21 - Ocean Blue ____ FB22 - Dove ____
- Harmony** HB13 - Pearl ____
- Park Avenue** PB10 - White ____ PB21 - Ocean Blue ____
- Richmond** RB10 - White ____ RB23 - Stone ____

Classic Collection

- Milano** M14 - White Gloss ____ M15 - Slate Gloss ____
- Matrix** M18 - Silver ____ M19 - Greystone ____

Showroom Displays

- B12M (Mini Base - White) Luxor Elegant
- DISP-CENTER

Swatches

- Color Sample Blocks (all colors)
- Granite Sample Box (all colors)
- ALL - CS 8x8 (Luxe) Please list color: _____
- ALS - CS 8x8 (Synchron) Please list color: _____
- ALZ - CS 8x8 (Zenit) Please list color: _____
- AL - SET-19 (Top 19 colors)
- AL-SET (Full set of 98 colors)
- AL-CSB (Sample Book)

Literature

- DISP-SPEC
- DISP-CATALOG
- DISP-VAN
- DISP-TRIFOLD
- DISP-ALVIC

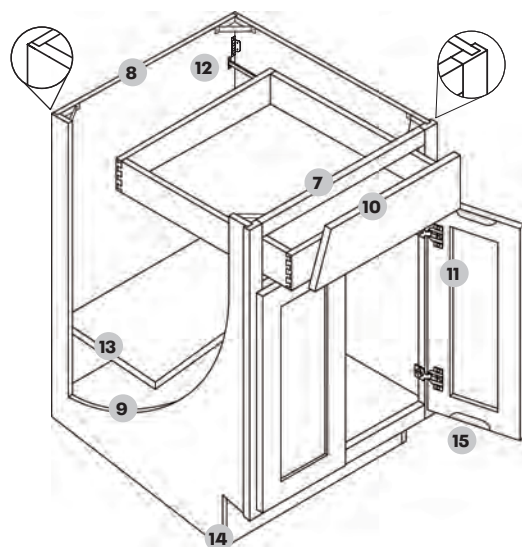
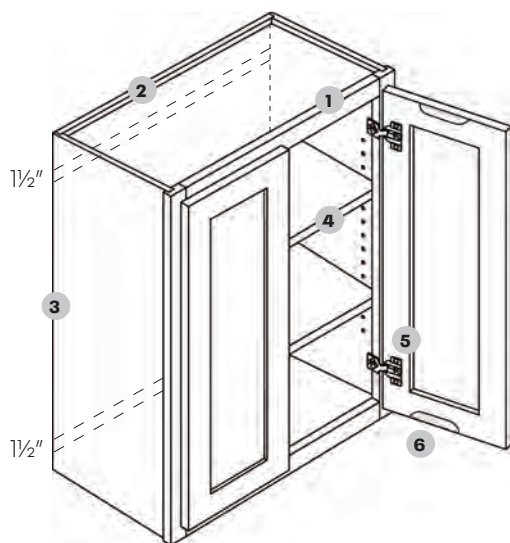
Additional Notes:

Total # of Pieces

| |
|--|
| |
|--|

Cabinet & Door Information

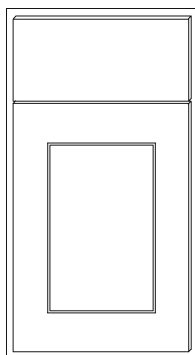
Luxor Collection



- 1 **Frame** — 3/4" thick Birch, 1 1/2" wide, kiln-dried solid hardwood. Assembled with glue and nails, under clamp pressure, which ensures squareness.
- 2 **Back panel** — 1/4" substrate, with 3" plywood surrounding frame, made of 1/2" plywood. Rabbeted and stapled into cabinet sides, screwed into top and bottom. Includes 1 1/2" hanging rails.
- 3 **End panel** — Top and bottom 1/2" plywood substrate, with light maple woodgrain laminate interior. Matching wood veneer exterior.
- 4 **Shelves** — 3/4" thick, plywood; fully adjustable.
- 5 **Hinges** — Heavy duty steel concealed hinge, adjustable with soft-close mechanism.
- 6 **Doors** — Finger pull groove for easy access

- 7 **Base frame** — 3/4" thick Birch, 1 1/2" wide, kiln-dried solid hardwood. Assembled with glue and nails, under clamp pressure, which ensures squareness.
- 8 **Back panel** — 1/4" substrate, with 3" plywood surrounding frame, all plywood material. Rabbeted and stapled into cabinet sides, screwed into top and bottom.
- 9 **End panel** — 1/2" plywood substrate, with light maple woodgrain laminate interior. Matching wood veneer exterior.
- 10 **Drawers** — 5/8" solid wood Dovetail sides 3/8" thick bottom; Finger pull groove for easy access
- 11 **Hinges** — Heavy duty steel concealed hinge, adjustable with soft-close mechanism.
- 12 **Glides** — 3/4" extension, high quality soft-close under mounted glides.
- 13 **Shelves** — 3/4" thick, plywood; fully adjustable. (10" deep)
- 14 **Toe kick** — 4 1/2" Toe kick with 2 1/2" inset on all standard base and vanity cabinets.
- 15 **Doors** — Finger pull groove for easy access

Luxor



| Finish | Price Code | Species |
|--------------------------|------------|---------|
| L02 - Smoky Grey (stain) | J | BIRCH |
| L06 - Cinnamon (stain) | J | BIRCH |
| L10 - White (paint) | J | MDF |
| L11 - Espresso (stain) | J | BIRCH |

A partial 1/2" reveal, 2 1/2" wide shaker style MDF door with a flat center panel, Mortise and Tenon construction, slab drawer front.

- *Luxor Cabinets cannot be extended
- *Finished interiors are not available in the Luxor Collection
- *Glass doors are available for all wall cabinets

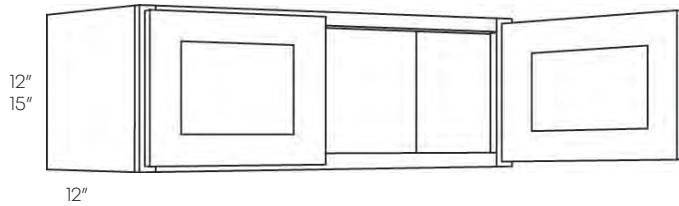
Specifications and Prices

Luxor Collection

| Item Number | J |
|-------------|---|
|-------------|---|

12" - 15" High Wall Cabinet

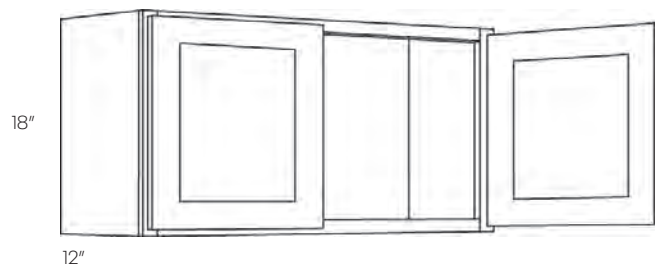
| | |
|------|-----|
| 3012 | 293 |
| 3312 | 305 |
| 3612 | 330 |
| 2415 | 290 |
| 3015 | 298 |
| 3315 | 311 |
| 3615 | 330 |



• No Shelf

18" High Wall Cabinet

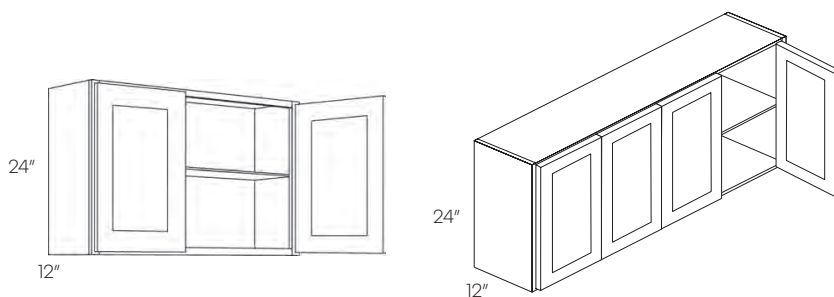
| | |
|---------------|-----|
| 2118 (1 Door) | 274 |
| 2418 | 290 |
| 2718 | 292 |
| 3018 | 303 |
| 3318 | 328 |
| 3618 | 376 |
| 3918 | 421 |



• No Shelf

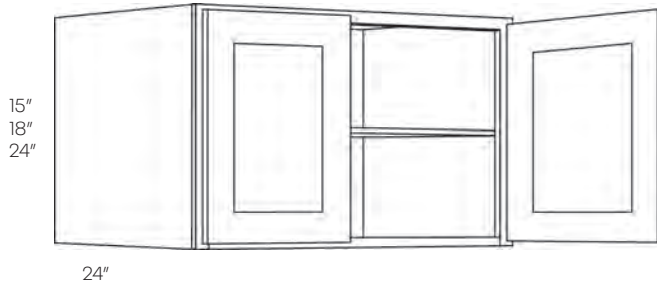
24" High Wall Cabinet

| | |
|---------------|-----|
| 1824 (1 Door) | 309 |
| 2424 | 398 |
| 2724 | 408 |
| 3024 | 417 |
| 3324 | 443 |
| 3624 | 476 |
| 3924 | 521 |
| 4224 | 567 |
| 4824 (4 Door) | 633 |



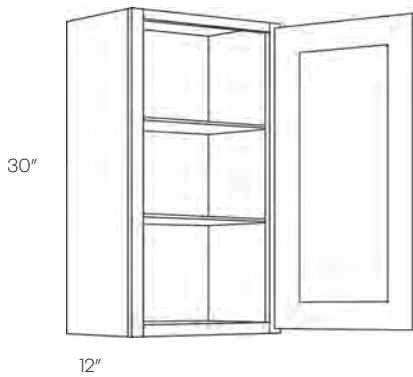
4824

24" Deep Wall Cabinet



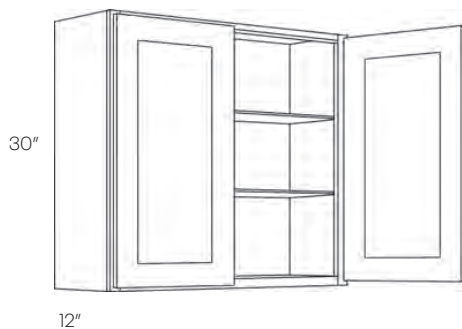
| Item Number | J |
|-------------|-----|
| 3015X24 | 401 |
| 3018X24 | 446 |
| 3024X24 | 557 |
| 3318X24 | 518 |
| 3615X24 | 446 |
| 3618X24 | 503 |
| 3624X24 | 643 |
| 3924x24 | 721 |

30" High 1 Door Wall Cabinet



| | |
|------|-----|
| 930 | 236 |
| 1230 | 263 |
| 1530 | 284 |
| 1830 | 319 |
| 2130 | 382 |

30" High 2 Door Wall Cabinet

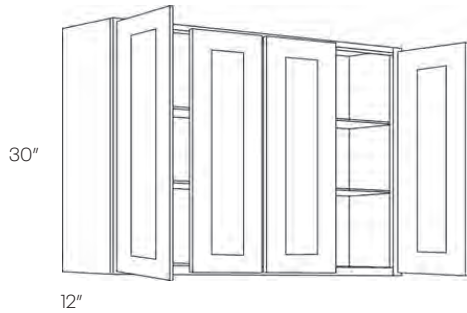


| | |
|------|-----|
| 2430 | 407 |
| 2730 | 448 |
| 3030 | 459 |
| 3330 | 499 |
| 3630 | 531 |
| 3930 | 573 |
| 4230 | 610 |

| Item Number | J |
|-------------|---|
|-------------|---|

30" High 4 Door Wall Cabinet

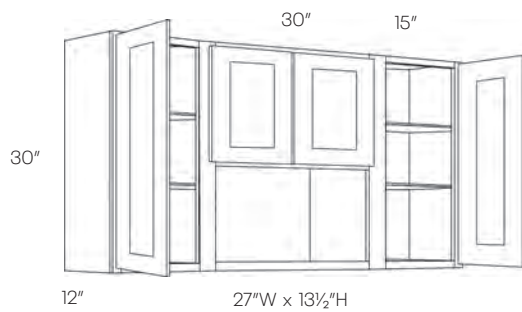
| | |
|-------------|-----|
| 4830 | 690 |
| 5430 | 771 |



30" High Open Wall Cabinet

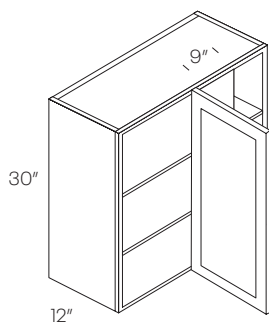
| | |
|---------------|-----|
| 6030-O | 788 |
|---------------|-----|

• Opening Natural Interior Finish

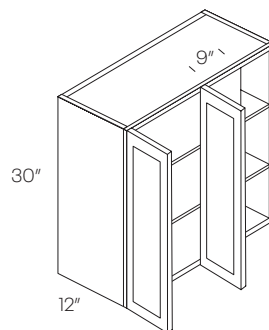


30" High Blind Wall Cabinet

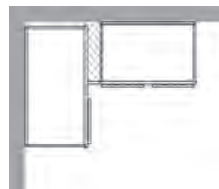
| | |
|-------------------|-----|
| BLW27/3030 | 579 |
| BLW36/3930 | 693 |
| BLW39/4230 | 757 |
| BLW42/4530 | 831 |



BLW27/BLW36



BLW39/BLW42



| Cabinet | Min. Pull | Max. Pull | Door |
|----------|-----------|-----------|------|
| BLW27/30 | 27" | 30" | 1230 |
| BLW36/39 | 36" | 39" | 2130 |
| BLW39/42 | 39" | 42" | 2430 |
| BLW42/45 | 42" | 45" | 2730 |

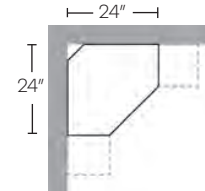
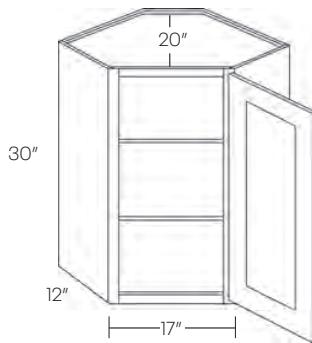
• Reversible L or R
• Can be installed at actual size

| Item Number | J |
|-------------|---|
|-------------|---|

30" High Diagonal Corner Wall Cabinet

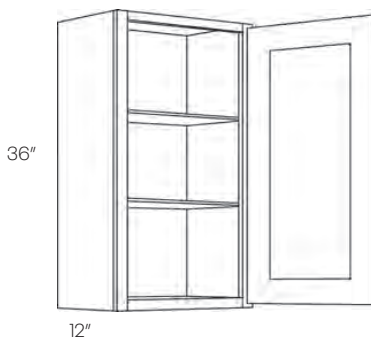
| | |
|---------------|-----|
| CW2430 | 593 |
|---------------|-----|

• Requires 24"x24" wall space



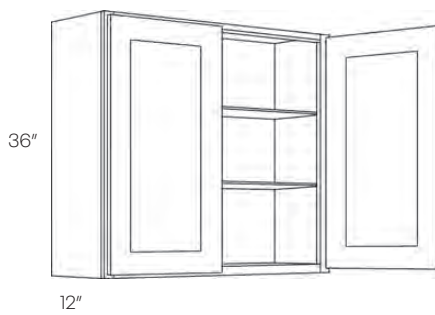
36" High 1 Door Wall Cabinet

| | |
|-------------|-----|
| 936 | 269 |
| 1236 | 298 |
| 1536 | 322 |
| 1836 | 363 |
| 2136 | 433 |



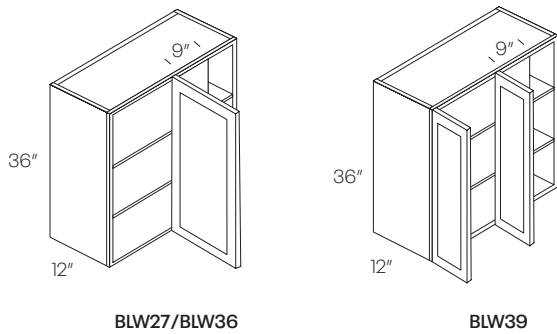
36" High 2 Door Wall Cabinet

| | |
|-------------|-----|
| 2436 | 464 |
| 2736 | 509 |
| 3036 | 525 |
| 3336 | 570 |
| 3636 | 606 |
| 4236 | 693 |



| Item Number | J |
|-------------|---|
|-------------|---|

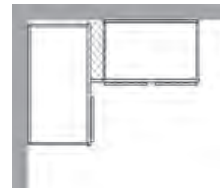
36" High Blind Wall Cabinet



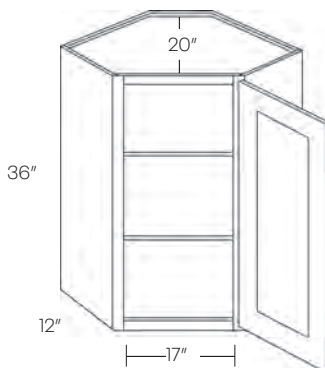
| | |
|-------------------|-----|
| BLW27/3036 | 659 |
| BLW36/3936 | 791 |
| BLW39/4236 | 864 |

- Reversible L or R
- Can be installed at actual size

| Cabinet | Min. Pull | Max. Pull | Door |
|----------|-----------|-----------|------|
| BLW27/30 | 27" | 30" | 1236 |
| BLW36/39 | 36" | 39" | 2136 |
| BLW39/42 | 39" | 42" | 2436 |

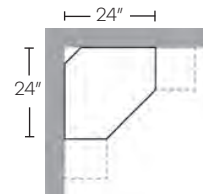


36" High Diagonal Corner Wall Cabinet

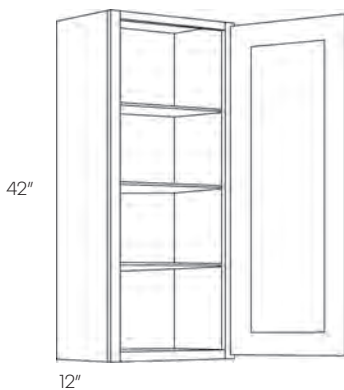


| | |
|---------------|-----|
| CW2436 | 677 |
|---------------|-----|

- Requires 24"x24" wall space



42" High 1 Door Wall Cabinet



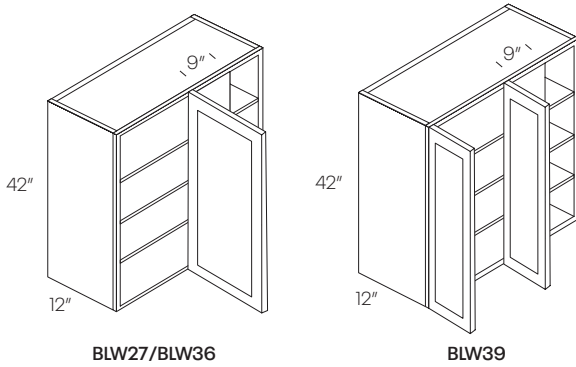
| | |
|-------------|-----|
| 942 | 317 |
| 1242 | 344 |
| 1542 | 380 |
| 1842 | 422 |
| 2142 | 504 |

42" High 2 Door Wall Cabinet



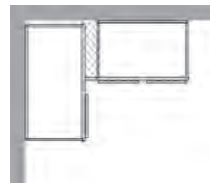
| Item Number | J |
|-------------|-----|
| 2442 | 540 |
| 2742 | 595 |
| 3042 | 617 |
| 3342 | 663 |
| 3642 | 704 |
| 4242 | 817 |

42" High Blind Wall Cabinet



BLW27/BLW36

BLW39

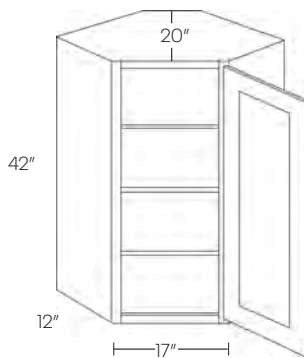


| | |
|-------------------|-----|
| BLW27/3042 | 748 |
| BLW36/3942 | 899 |
| BLW39/4242 | 984 |

- Reversible L or R
- Can be installed at actual size

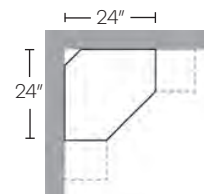
| Cabinet | Min. Pull | Max. Pull | Door |
|----------|-----------|-----------|------|
| BLW27/30 | 27" | 30" | 1242 |
| BLW36/39 | 36" | 39" | 2142 |
| BLW39/42 | 39" | 42" | 2442 |

42" High Diagonal Corner Wall Cabinet



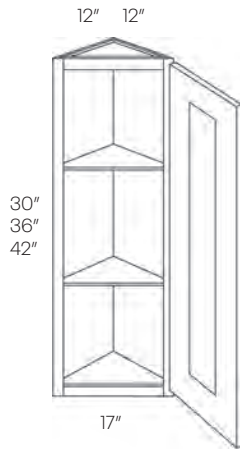
| | |
|---------------|-----|
| CW2442 | 771 |
|---------------|-----|

- Requires 24"x24" wall space



| Item Number | J |
|-------------|---|
|-------------|---|

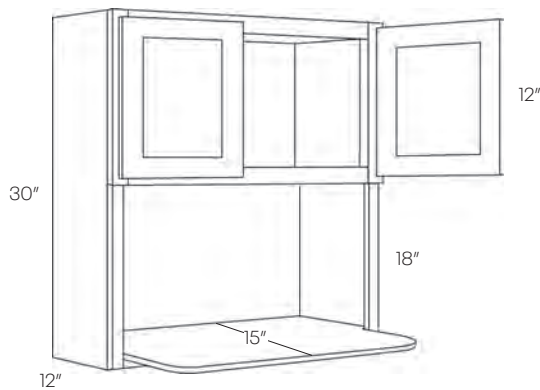
Single Door Wall End Cabinet



| | |
|----------------|-----|
| WEC1230 | 276 |
| WEC1236 | 315 |
| WEC1242 | 350 |

- 42" has 3 shelves

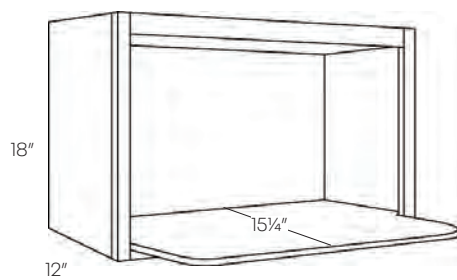
Microwave Cabinet



| | |
|---------------|-----|
| MW3030 | 569 |
|---------------|-----|

- Opening 27" x 18"
- Opening natural finish
- Shelf 15" deep

Microwave Cabinet

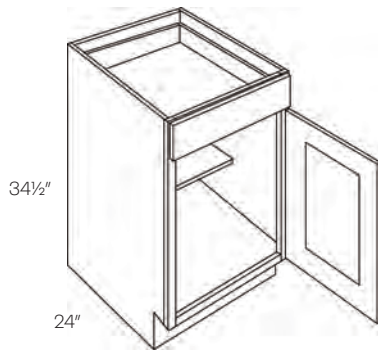


| | |
|---------------|-----|
| MW3018 | 400 |
|---------------|-----|

- Opening natural finish
- Opening 27" X 14 1/4"

| Item Number | J |
|-------------|---|
|-------------|---|

1 Door Base Cabinet

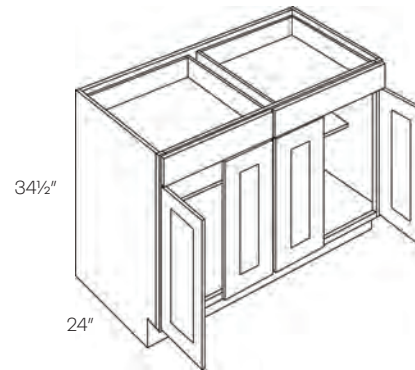


| | |
|------------|-----|
| B9 | 344 |
| B12 | 396 |
| B15 | 414 |
| B18 | 435 |
| B21 | 495 |

• 10" Deep Shelf

| Item Number | J |
|-------------|---|
|-------------|---|

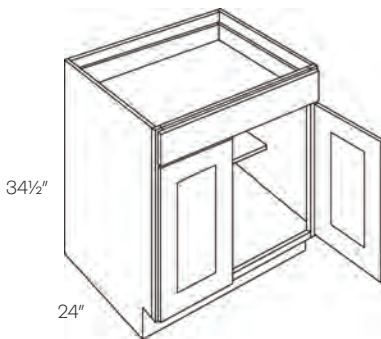
2 Drawer 4 Door Base Cabinet



| | |
|------------|-----|
| B48 | 893 |
|------------|-----|

• 10" Deep Shelf

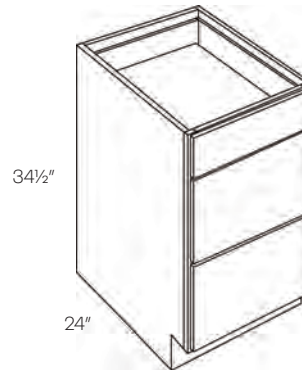
1 Drawer 2 Door Base Cabinet



| | |
|------------|-----|
| B24 | 528 |
| B27 | 583 |

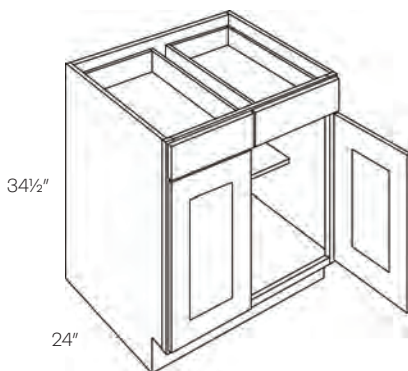
• 10" Deep Shelf

3 Drawer Base Cabinet



| | |
|-------------|-----|
| DB12 | 582 |
| DB15 | 610 |
| DB18 | 629 |
| DB21 | 653 |
| DB24 | 676 |
| DB30 | 739 |
| DB36 | 799 |

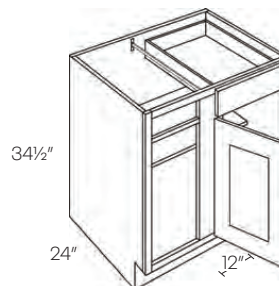
2 Drawer 2 Door Base Cabinet



| | |
|------------|-----|
| B30 | 636 |
| B33 | 679 |
| B36 | 712 |
| B39 | 758 |
| B42 | 799 |

• 10" Deep Shelf

Blind Base Cabinet



| | |
|-----------------|-----|
| BLB36/39 | 707 |
| BLB39/42 | 730 |
| BLB42/45 | 780 |
| BLB45/48 | 835 |

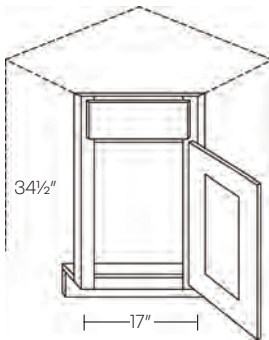
• Reversible L or R
• Must be pulled to the minimum position
* Left blind shown

| Cabinet | Min. Pull | Max. Pull | Door |
|----------|-----------|-----------|------|
| BLB36/39 | 27" | 39" | B9 |
| BLB39/42 | 33" | 42" | B12 |
| BLB42/45 | 39" | 45" | B15 |
| BLB45/48 | 45" | 48" | B18 |

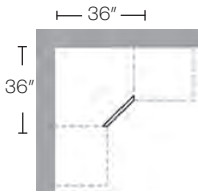
| Item Number | J |
|-------------|---|
|-------------|---|

Diagonal Corner Sink Front

| | |
|----------------------|-----|
| CSF36 | 284 |
| CSF36 (Floor) | 132 |

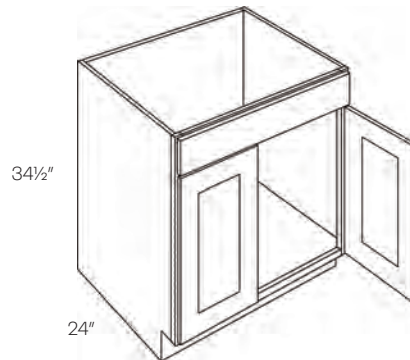


- Requires 36" x 36" wall space.
- Requires Floor



1 Drawer Front 2 Door Sink Base

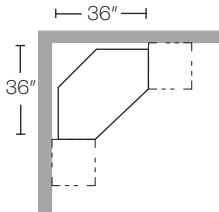
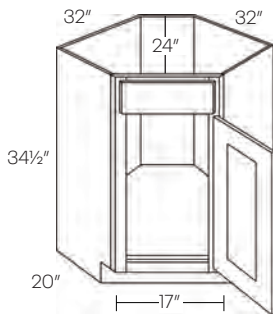
| | |
|-------------|-----|
| SB24 | 523 |
| SB27 | 562 |



Diagonal Corner Sink Base Cabinet

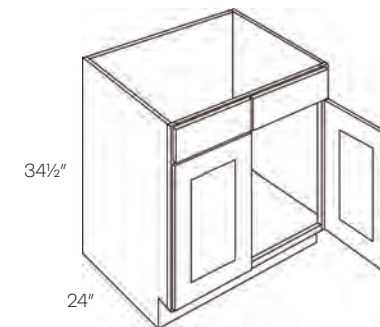
| | |
|--------------|------|
| CSB36 | 1073 |
|--------------|------|

- Requires 36" x 36" wall space



2 Drawer Front 2 Door Sink Base

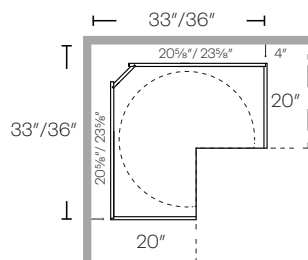
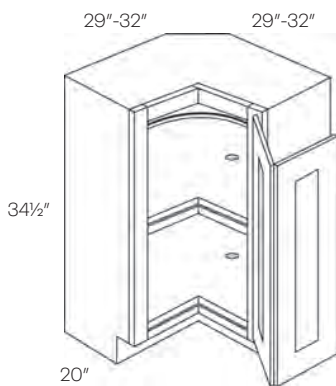
| | |
|-------------|-----|
| SB30 | 595 |
| SB33 | 631 |
| SB36 | 646 |
| SB39 | 662 |
| SB42 | 676 |



Lazy Susan Corner Base Cabinet

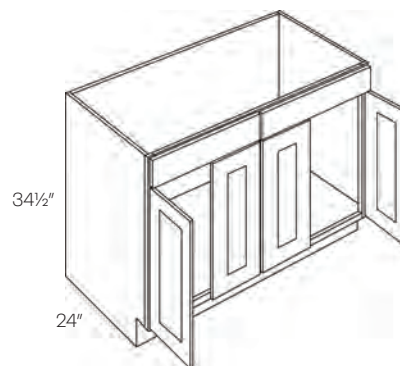
| | |
|--------------|------|
| CAR33 | 1149 |
| CAR36 | 1149 |

- Requires 33" x 33" / 36" x 36" wall space
- Pie cut for 33" is 9" and for 36" is 12"
- Wooden Lazy Susan



2 Drawer 4 Door Sink Base Cabinet

| | |
|-------------|-----|
| SB48 | 761 |
|-------------|-----|

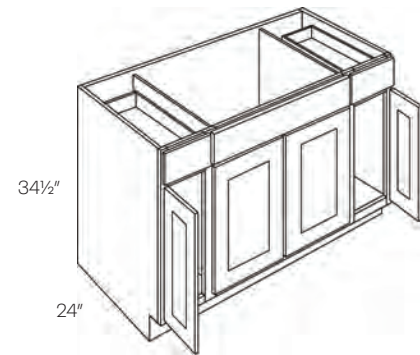


| Item Number | J |
|-------------|---|
|-------------|---|

| Item Number | J |
|-------------|---|
|-------------|---|

Combination Sink Base Cabinet

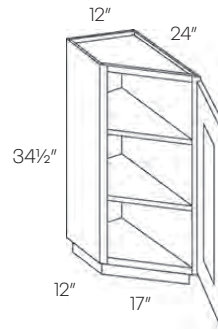
| | |
|-------------|-----|
| SB54 | 849 |
| SB60 | 925 |



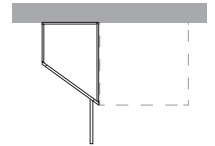
| | Door | Sink | Door |
|------|------|------|------|
| SB54 | 12" | 30" | 12" |
| SB60 | 15" | 30" | 15" |

Angle Base End Cabinet

| | |
|----------------|-----|
| BTC2412 | 392 |
|----------------|-----|



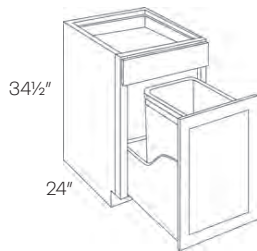
- Reversible
- Loose toe kick
- Hinged on 24"



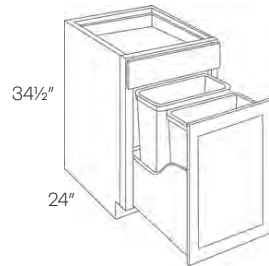
Waste Basket Cabinet

| | |
|---------------------|-----|
| BWBK15 (1-B) | 795 |
| BWBK18 (2-B) | 880 |

- Includes 35qt. waste basket (BK18 gets 2)



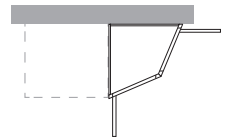
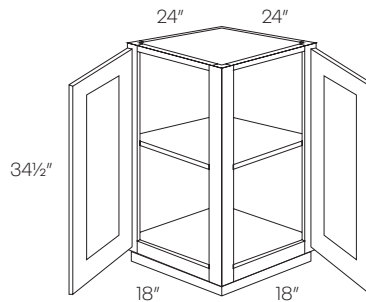
BWBK15



BWBK18

Base End Cabinet

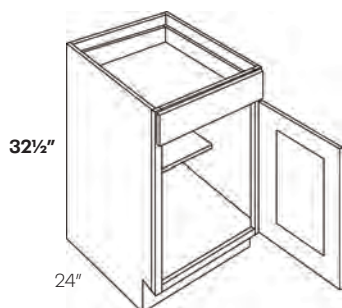
| | |
|--------------|-----|
| BEC24 | 489 |
|--------------|-----|



| Item Number | J |
|-------------|---|
|-------------|---|

1 Door Base Cabinet

| | |
|--------|-----|
| B9-HA | 344 |
| B12-HA | 396 |
| B15-HA | 414 |
| B18-HA | 435 |
| B21-HA | 495 |

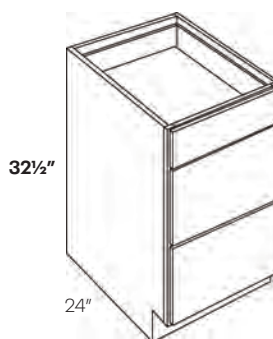


•10" Deep Shelf

| Item Number | J |
|-------------|---|
|-------------|---|

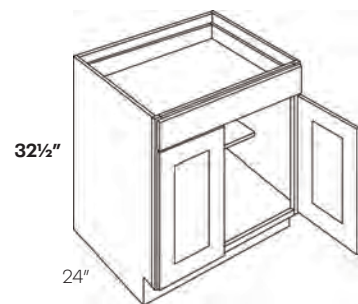
3 Drawer Base Cabinet

| | |
|---------|-----|
| DB12-HA | 582 |
| DB15-HA | 610 |
| DB18-HA | 629 |



1 Drawer 2 Door Base Cabinet

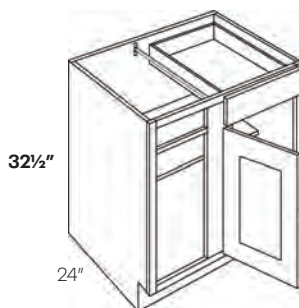
| | |
|--------|-----|
| B24-HA | 528 |
| B27-HA | 583 |



•10" Deep Shelf

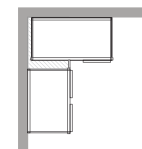
Blind Base Cabinet

| | |
|-------------|-----|
| BLB36/39-HA | 707 |
|-------------|-----|



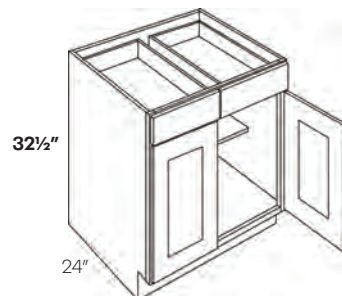
- Left blind shown
- Reversible L or R
- Must be pulled to the minimum position

| | Min Pull | Max Pull | Door |
|----------|----------|----------|------|
| BLB36/39 | 27" | 39" | B9 |



2 Drawer 2 Door Base Cabinet

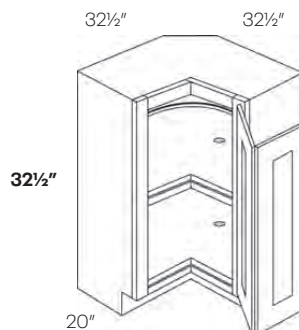
| | |
|--------|-----|
| B30-HA | 636 |
| B33-HA | 679 |
| B36-HA | 712 |
| B39-HA | 758 |



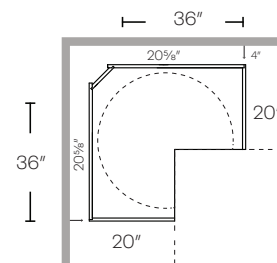
•10" Deep Shelf

Lazy Susan Corner Base Cabinet

| | |
|----------|------|
| CAR36-HA | 1149 |
|----------|------|



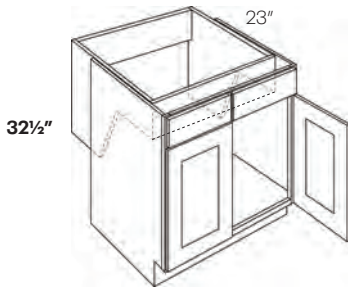
- Requires 36" x 36" wall space



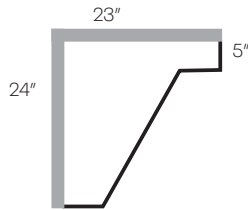
| | |
|-------------|---|
| Item Number | J |
|-------------|---|

2 Door Removable Sink Base Cabinet

| | |
|----------------|-----|
| SB33-HR | 939 |
| SB36-HR | 958 |

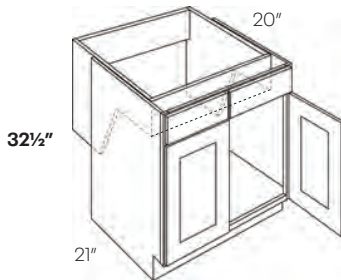


*HR=Handicap Removable
• Has full back panel

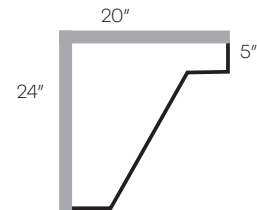


Removable Vanity Base

| | |
|-----------------|-----|
| V3321-HR | 761 |
| V3621-HR | 804 |



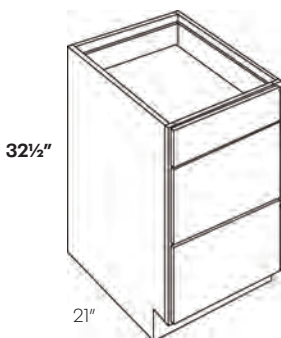
*HR=Handicap Removable
• Has full back panel



3 Drawer Base Cabinet

| | |
|-----------------|-----|
| VDB12-HA | 561 |
|-----------------|-----|

*HA=Handicap Accessible

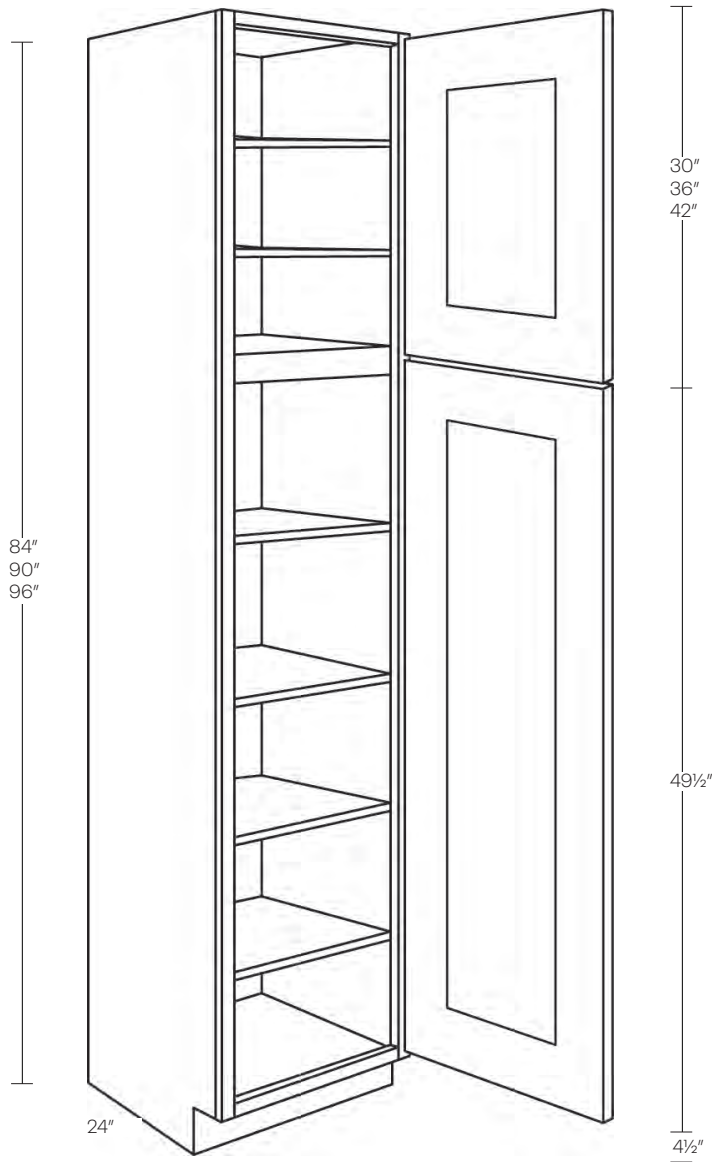


| Item Number | J |
|-------------|---|
|-------------|---|

Single Door Utility Cabinet

| | |
|------------|------|
| UC1824X84 | 1322 |
| UC1824X90 | 1507 |
| UC1824X96* | 1720 |

- 4 bottom adjustable shelves
- 84" and 90" have 2 upper shelves
- 96" has 3 upper shelves

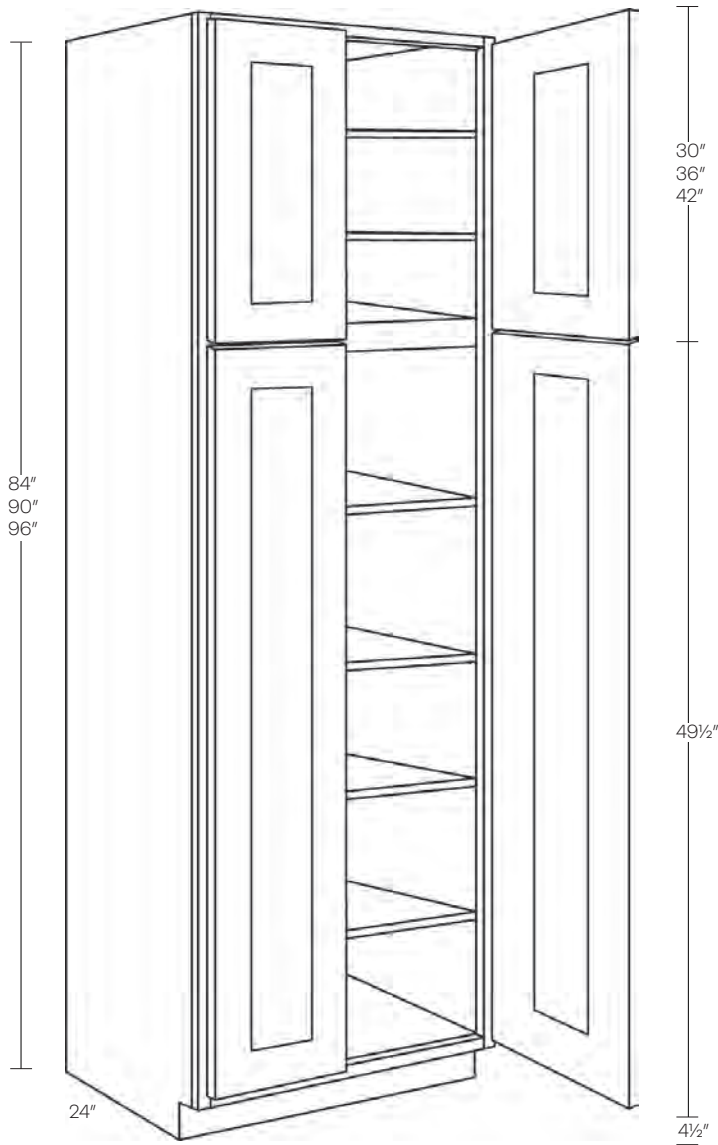


| Item Number | J |
|-------------|---|
|-------------|---|

Double Door Utility Cabinet

| | |
|-------------------|------|
| UC2424X84 | 1523 |
| UC2424X90 | 1738 |
| UC2424X96* | 1923 |

- 4 bottom adjustable shelves
- 84" and 90" have 2 upper shelves
- 96" has 3 upper shelves

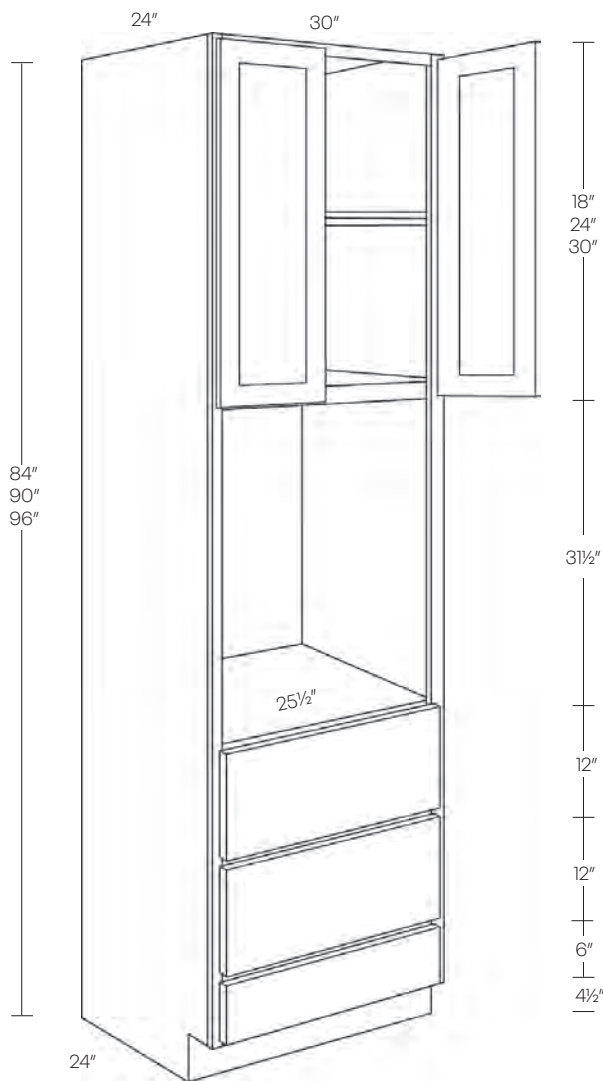


| Item Number | J |
|-------------|---|
|-------------|---|

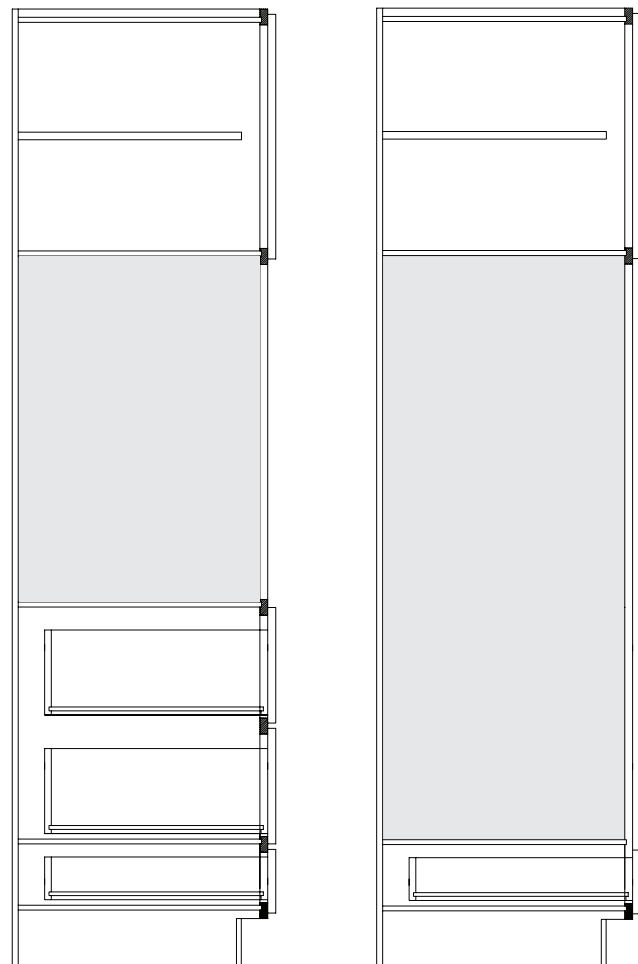
Double Door Oven Cabinet

| | |
|---------|------|
| OV3384 | 1469 |
| OV3390 | 1688 |
| OV3396* | 1911 |

- * 96" has 2 upper shelves
- Not Available in Dart
- For double ovens, remove drawer floor as needed

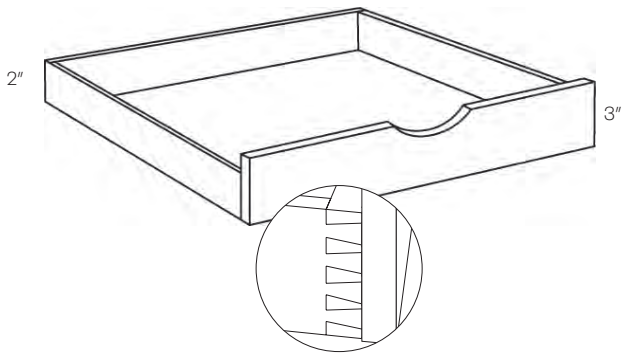


Side



Side - Field Modified
 *for double oven, remove fixed shelf and bottom two 12" drawers in field

Pull Out Shelf



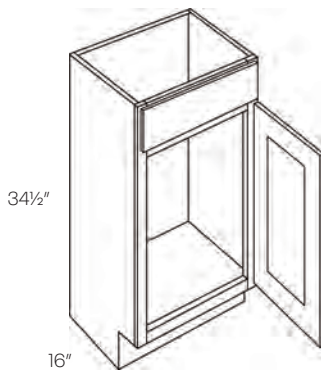
| Item Number | J |
|-------------|-----|
| POS-12 | 171 |
| POS-15 | 179 |
| POS-18 | 198 |
| POS-21 | 208 |
| POS-24 | 235 |
| POS-27 | 244 |
| POS-30 | 255 |
| POS-33 | 269 |
| POS-36 | 285 |
| POS-42 | 299 |

- Natural finish
- Ball bearing soft-close glides included
- POS uses dovetail construction

| Item Number | J |
|-------------|---|
|-------------|---|

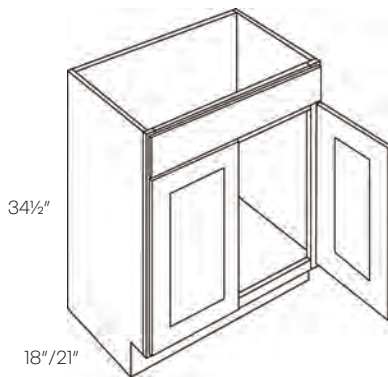
1 Door Vanity Sink Base Cabinet

| | |
|------------|-----|
| V1816-34.5 | 266 |
|------------|-----|



2 Door Vanity Sink Base Cabinet

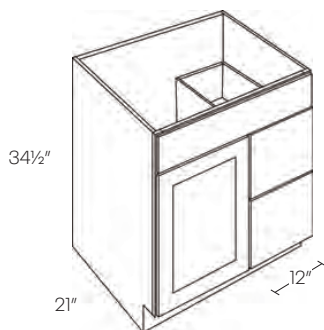
| | |
|------------|-----|
| V2418-34.5 | 342 |
| V3018-34.5 | 435 |
| V2421-34.5 | 370 |
| V3021-34.5 | 462 |
| V3621-34.5 | 558 |



1 Door 2 Drawer Vanity Sink Base Cabinet

| | |
|-------------|-----|
| V2421D-34.5 | 529 |
| V3021D-34.5 | 731 |

• Drawers on right hand side only

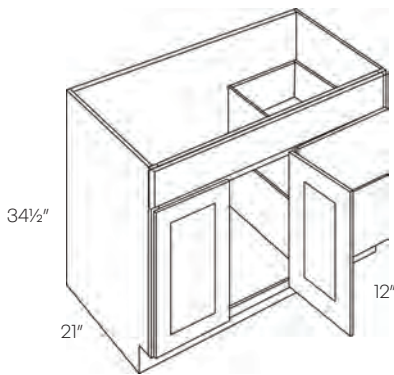


| | |
|-------------|---|
| Item Number | J |
|-------------|---|

2 Door 2 Drawer Vanity Sink Base Cabinet

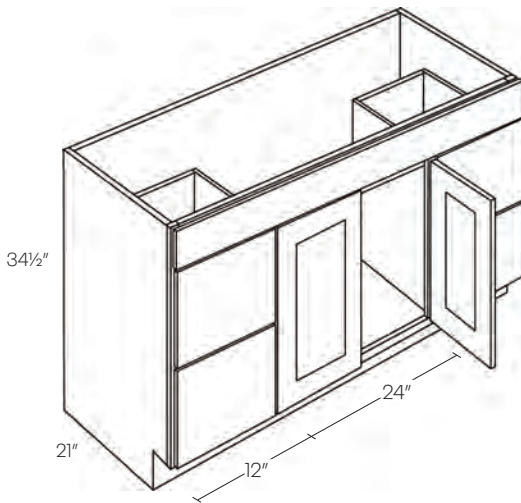
| | |
|-------------|-----|
| V3621D-34.5 | 827 |
| V4221D-34.5 | 908 |

• Drawers on right hand side only



2 Door 4 Drawer Vanity Sink Base Cabinet

| | |
|--------------|-----|
| V4821DD-34.5 | 959 |
|--------------|-----|

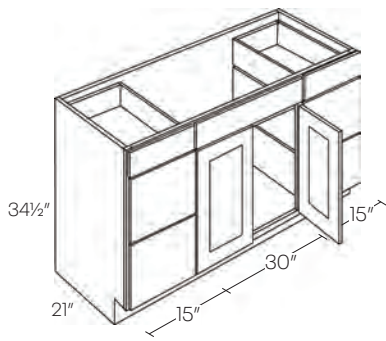


| | |
|-------------|---|
| Item Number | J |
|-------------|---|

Vanity Drawer Base Cabinet

| | |
|--------------|------|
| V6021DD-34.5 | 1109 |
|--------------|------|

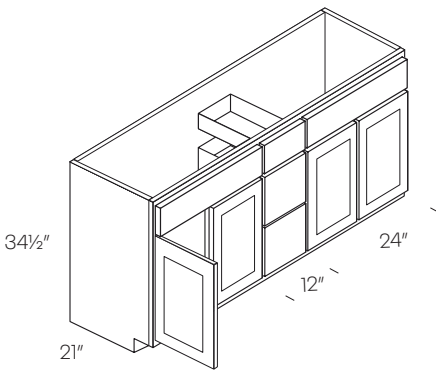
• Not Available in Dart



Vanity Drawer Base Cabinet

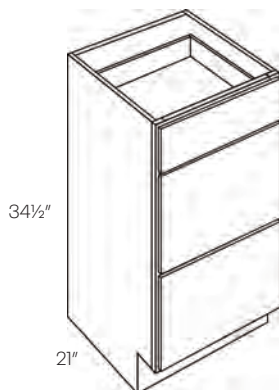
| | |
|--------------|------|
| VDB6021-34.5 | 1109 |
|--------------|------|

• Not Available in Dart



Vanity Drawer Base Cabinet

| | |
|--------------|-----|
| VDB1221-34.5 | 578 |
| VDB1521-34.5 | 612 |
| VDB1821-34.5 | 627 |
| VDB2121-34.5 | 659 |
| VDB2421-34.5 | 679 |

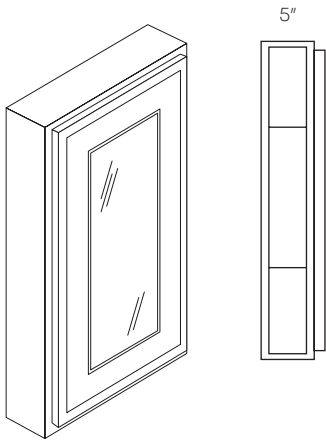


| | |
|-------------|---|
| Item Number | J |
|-------------|---|

Single Door Medicine Cabinet

| | |
|---------------|-----|
| MC1830 | 265 |
|---------------|-----|

• Not inset



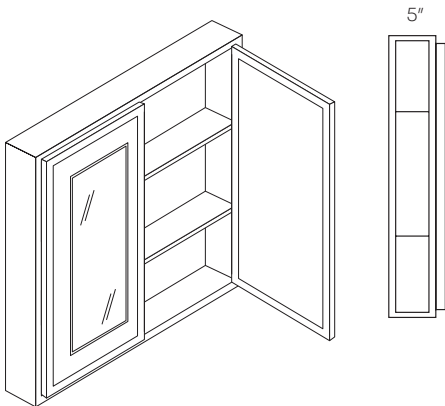
Double Door Medicine Cabinet

| | |
|---------------|-----|
| MC2430 | 457 |
|---------------|-----|

| | |
|---------------|-----|
| MC3030 | 509 |
|---------------|-----|

| | |
|---------------|-----|
| MC3630 | 574 |
|---------------|-----|

• Not inset



| Item Number | J |
|-------------|---|
|-------------|---|

| Item Number | J |
|-------------|---|
|-------------|---|

Fillers



3/4"



3/4"

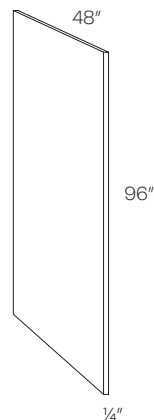
F330/F630/F342/F642

F396/F696

| | |
|------|-----|
| F330 | 44 |
| F630 | 76 |
| F342 | 58 |
| F642 | 104 |
| F396 | 138 |
| F696 | 230 |

• Fillers finished on all 4 sides

Plywood Panel



48"

96"

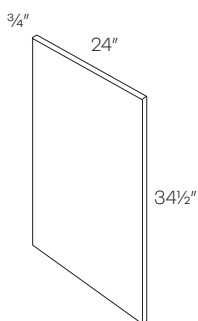
1/4"

| | |
|--------|-----|
| PLY4X8 | 356 |
|--------|-----|

Base End Panel



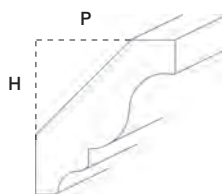
DWR



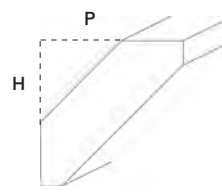
BEP

| | |
|------|-----|
| DWR3 | 236 |
| BEP | 206 |

Crown Molding



CRM
Height: 2"
Projection: 2"

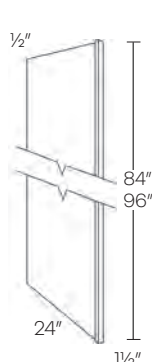


CRMS
Height: 2"
Projection: 2"

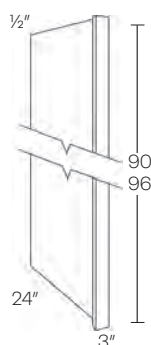
| | |
|------|-----|
| CRM | 122 |
| CRMS | 122 |

• 8 feet long

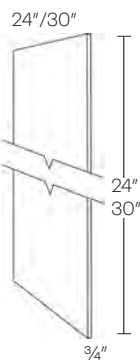
Refrigerator End Panel



REP1



REP3

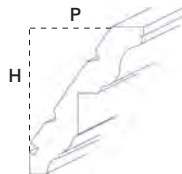


UREP

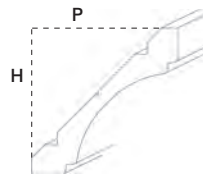
| | |
|--------|-----|
| REP196 | 450 |
| REP384 | 408 |
| REP390 | 429 |
| REP396 | 450 |
| UREP24 | 313 |
| UREP30 | 417 |

• Edgebanded on one side

Royal Crown Molding



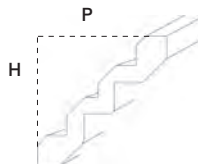
RCRM
Height: 3 1/2"
Projection: 2 1/2"



RCRMC
Height: 3 1/8"
Projection: 3 1/8"

| | |
|-------|-----|
| RCRM | 345 |
| RCRMS | 345 |
| RCRMC | 345 |

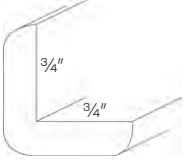
• 8 feet long



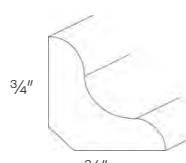
RCRMS
Height: 3 1/8"
Projection: 3 1/8"

| | Item Number | J |
|-----------------------|-------------|----|
| Corner Molding | OCM | 92 |
| | ICM | 92 |

• 8 feet long




OCM



ICM

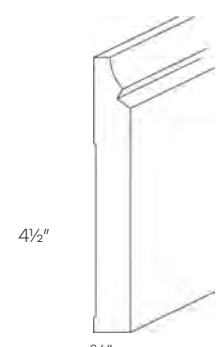
| | Item Number | J |
|---------------|--------------------------------|-----|
| Column | CLM-B30 (34 1/2" H X 30" D) | 391 |
| | CLM-30X15 (30" H X 15" D) | 198 |
| | CLM-36X15 (36" H X 15" D) | 221 |
| | CLM-42X15 (42" H X 15" D) | 245 |

• Trimmable
• Finished 3 sides



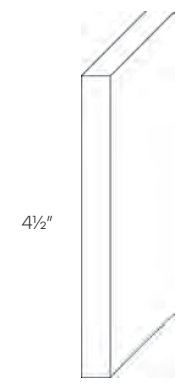
| | BSMS | 245 |
|---------------------|------|-----|
| Base Molding | | |

• 8 feet long



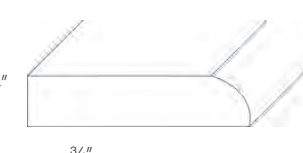
| | TKS | 76 |
|-----------------|-----|----|
| Toe Kick | | |

• 8 feet long



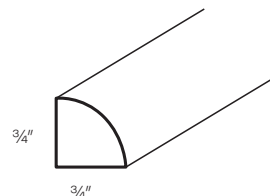
| | SCM | 74 |
|-----------------------|-----|----|
| Scribe Molding | | |

• 8 feet long



| | SHM | 103 |
|---------------------|-----|-----|
| Shoe Molding | | |

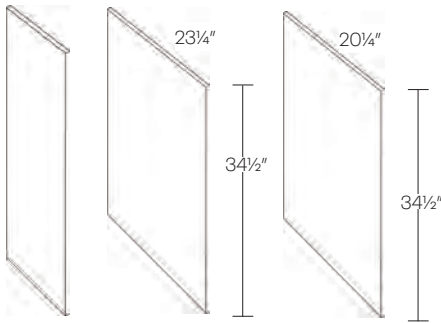
• 8 feet long



| | |
|-------------|---|
| Item Number | J |
|-------------|---|

Finished Skin

| | |
|---------------|-----|
| FS30 | 92 |
| FS42 | 128 |
| FS9624 | 245 |
| FSB | 120 |
| FSV | 119 |



Wall & Tall

FSB

FSV

• 1/4" Thick

Touch Up Kit / Stain

| | |
|----------------|-----|
| TUP | 78 |
| TUP-STN | 102 |



TUP

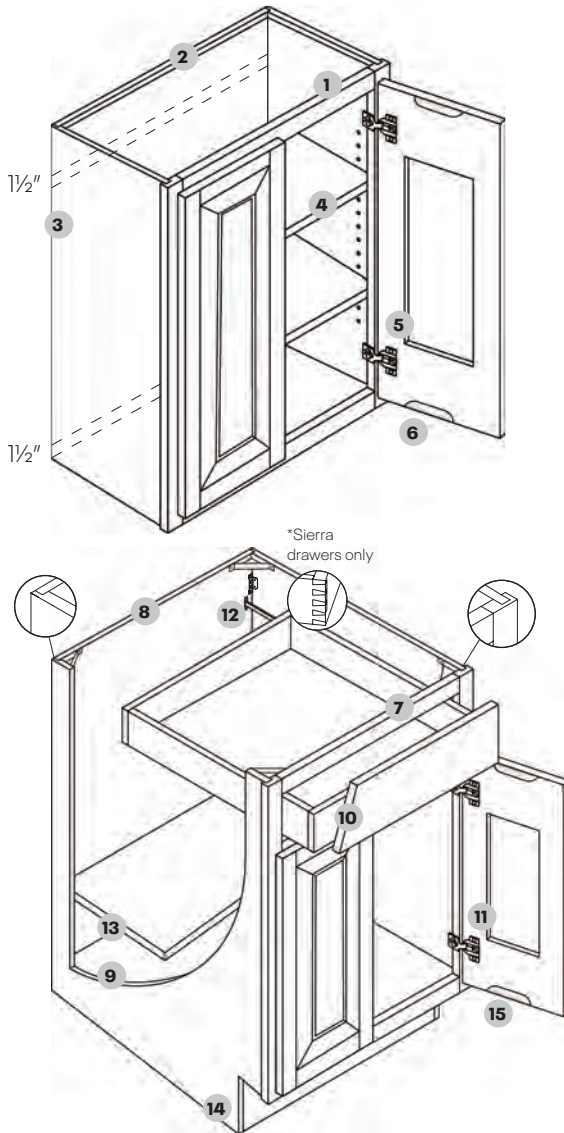


TUP-STN

• TUP-STN is one pint available in all finishes

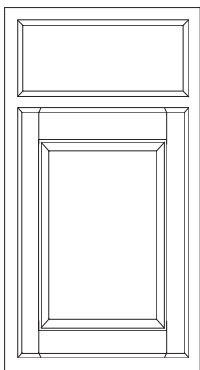
Cabinet & Door Information

Country Collection



- 1 **Frame** — 3/4" thick, 1 1/2" wide, kiln-dried solid hardwood. Assembled with glue and nails, under clamp pressure, which ensures squareness.
- 2 **Back panel** — 1/4" substrate, with 3" plywood surrounding frame, made of 1/2" plywood. Rabbeted and stapled into cabinet sides, screwed into top and bottom. Includes 1 1/2" hanging rails.
- 3 **End panel** — Top and bottom 1/2" plywood substrate, with light maple woodgrain laminate interior. Matching wood center exterior
- 4 **Shelves** — 3/4" thick, plywood; fully adjustable
- 5 **Hinges** — Heavy duty steel concealed adjustable hinge.
- 6 **Doors** — Finger pull groove for easy access
- 7 **Base frame** — 3/4" thick, 1 1/2" wide, kiln-dried solid hardwood. Assembled with glue and nails, under clamp pressure, which ensures squareness.
- 8 **Back panel** — 1/4" substrate, with 3" plywood surrounding frame, all plywood material. Rabbeted and stapled into cabinet sides, screwed into top and bottom.
- 9 **End panel** — 1/2" plywood substrate, with light maple woodgrain laminate interior. Matching wood veneer exterior.
- 10 **Drawers** — C4 - 5/8" Plywood sides with 5/8" thick bottom fastened with screws **Sierra** - 5/8" solid wood Dovetail sides 5/8" thick bottom.
- 11 **Hinges** — Heavy duty steel concealed adjustable hinge.
- 12 **Glides** — C4 - High quality epoxy coated steel side mounted glides. **Sierra** - High quality epoxy coated steel under-mount glides
- 13 **Shelves** — 3/4" thick, plywood; fully adjustable. (10" deep)
- 14 **Toe kick** — 4 1/2" Toe kick with 2 1/2" inset on all standard base and vanity cabinets.
- 15 **Doors** — Finger pull groove for easy access

Country Oak

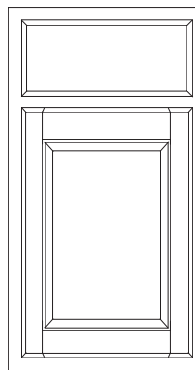


| Finish | Price Code | Species |
|-------------------------------------|------------|---------|
| C1 - Severe Use / HUD (Honey Stain) | G* | Oak |
| C4 - Honey (stain) | G | Oak |

*10% up-charge

A standard 1" reveal, 5 piece solid wood with a raised MDF veneer center panel Mortise and Tenon construction, slab drawer front. Oak wood in a Honey finish.

Sierra



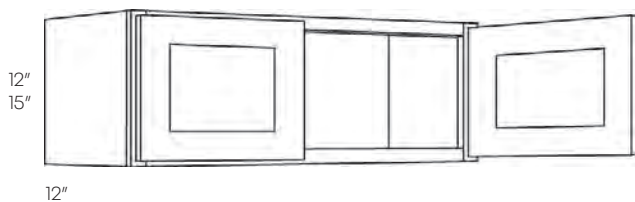
| Finish | Price Code | Species |
|------------------------|------------|---------|
| S8 - Toffee (stain) | H | Birch |
| S11 - Espresso (stain) | H | Birch |

A standard 1" reveal, 5 piece solid wood with a raised MDF veneer center panel Mortise and Tenon construction, slab drawer front.

Specifications and Prices

Country Collection

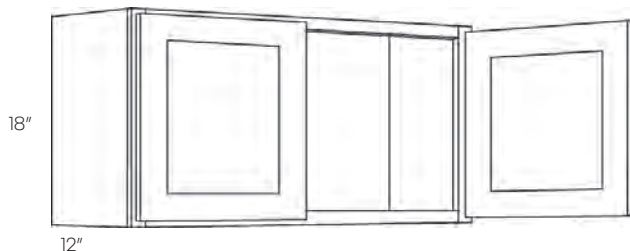
12"-15" High Wall Cabinet



| Item Number | G | H |
|-------------|-----|-----|
| 3012 | 266 | 277 |
| 3312 | 276 | 288 |
| 3612 | 299 | 312 |
| 2415 | 263 | 274 |
| 3015 | 271 | 283 |
| 3315 | 283 | 294 |
| 3615 | 299 | 312 |

• No Shelf

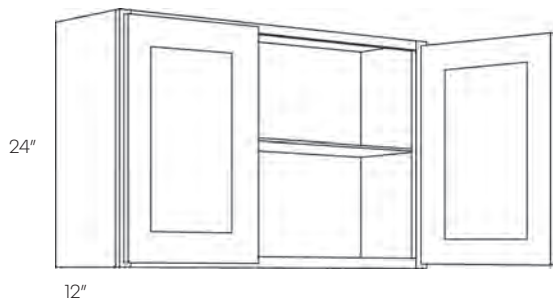
18" High Wall Cabinet



| | | |
|---------------|-----|-----|
| 2118 (1 Door) | 249 | 260 |
| 2418 | 263 | 274 |
| 3018 | 274 | 286 |
| 3318 | 297 | 310 |
| 3618 | 341 | 356 |

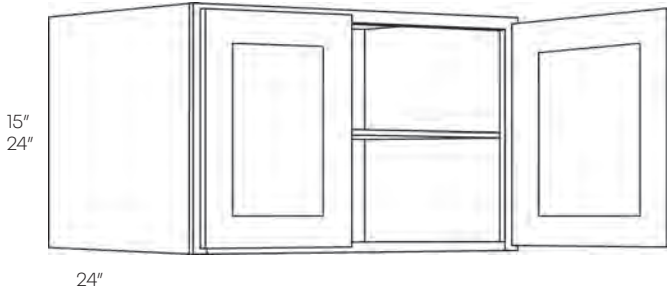
• No Shelf

24" High Wall Cabinet



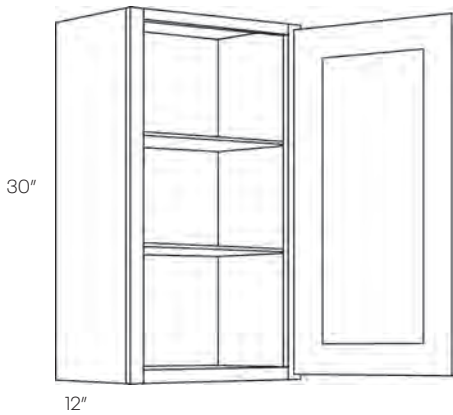
| | | |
|---------------|-----|-----|
| 1824 (1 Door) | 281 | 292 |
| 2424 | 373 | 388 |
| 2724 | 379 | 394 |
| 3024 | 389 | 409 |
| 3324 | 402 | 418 |
| 3624 | 432 | 450 |
| 4224 | 515 | 536 |
| 4824 | 575 | 598 |

24" Deep Wall Cabinet



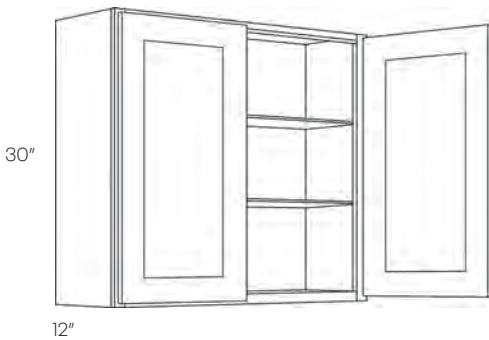
| Item Number | G | H |
|----------------|-----|-----|
| 3015X24 | 364 | 379 |
| 3024X24 | 506 | 527 |
| 3615X24 | 405 | 422 |
| 3624X24 | 585 | 609 |

30" High 1 Door Wall Cabinet



| | | |
|-------------|-----|-----|
| 930 | 214 | 223 |
| 1230 | 239 | 249 |
| 1530 | 258 | 268 |
| 1830 | 290 | 303 |
| 2130 | 346 | 361 |

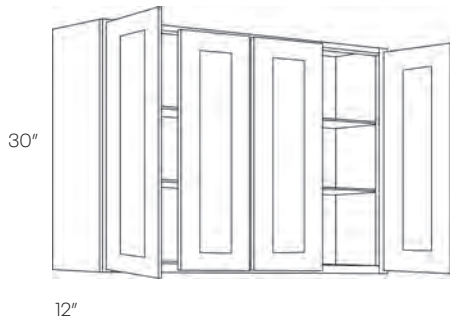
30" High 2 Door Wall Cabinet



| | | |
|-------------|-----|-----|
| 2430 | 369 | 385 |
| 2730 | 407 | 424 |
| 3030 | 417 | 434 |
| 3330 | 453 | 472 |
| 3630 | 482 | 502 |
| 3930 | 521 | 542 |
| 4230 | 554 | 577 |

| Item Number | G | H |
|-------------------------------------|-----|-----|
| 30" High 4 Door Wall Cabinet | | |
| 4830 | 627 | 653 |
| 5430 | 701 | 729 |

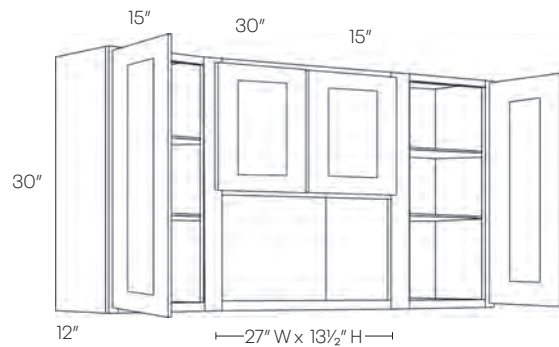
30" High 4 Door Wall Cabinet



30" High Open Wall Cabinet

| Item Number | G | H |
|-----------------------------------|-----|-----|
| 30" High Open Wall Cabinet | | |
| 6030-O | 716 | 746 |

- Opening Natural Interior Finish

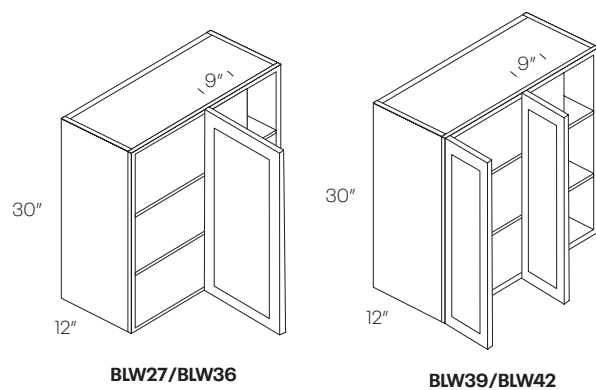


30" High Blind Wall Cabinet

| | | |
|-------------------|-----|-----|
| BLW27/3030 | 526 | 548 |
| BLW36/3930 | 630 | 656 |
| BLW39/4230 | 688 | 716 |
| BLW42/4530 | 755 | 785 |

- Reversible L or R
- Can be installed at actual size

| Cabinet | Min. Pull | Max. Pull | Door |
|----------|-----------|-----------|------|
| BLW27/30 | 27" | 30" | 1230 |
| BLW36/39 | 36" | 39" | 2130 |
| BLW39/42 | 39" | 42" | 2430 |
| BLW42/45 | 42" | 45" | 2730 |

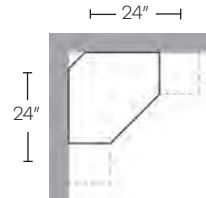
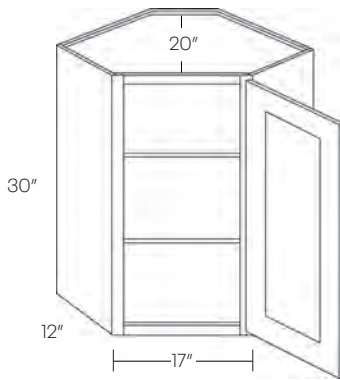


| Item Number | G | H |
|-------------|---|---|
|-------------|---|---|

30" High Diagonal Corner Wall Cabinet

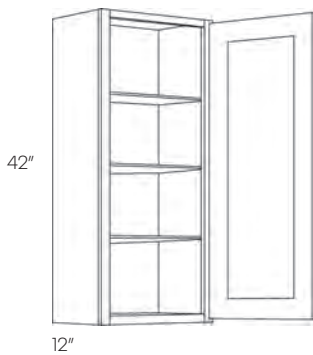
| | | |
|---------------|-----|-----|
| CW2430 | 539 | 561 |
|---------------|-----|-----|

• Requires 24" x 24" wall space



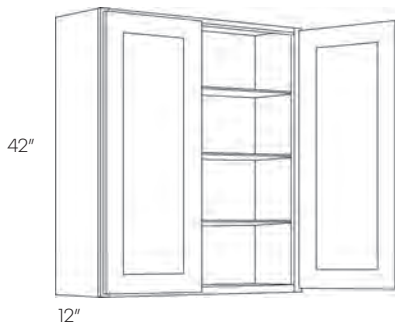
42" High 1 Door Wall Cabinet

| | | |
|-------------|-----|-----|
| 942 | 288 | 299 |
| 1242 | 313 | 325 |
| 1542 | 345 | 360 |
| 1842 | 383 | 399 |
| 2142 | 458 | 477 |

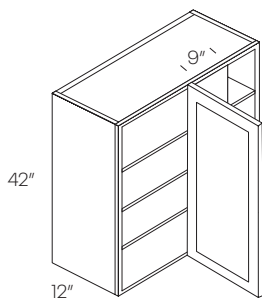


42" High 2 Door Wall Cabinet

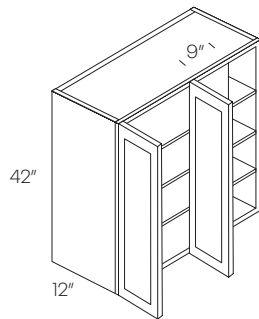
| | | |
|-------------|-----|-----|
| 2442 | 491 | 510 |
| 2742 | 541 | 563 |
| 3042 | 561 | 584 |
| 3342 | 602 | 627 |
| 3642 | 639 | 665 |
| 4242 | 742 | 773 |



42" High Blind Wall Cabinet



BLW27/BLW36

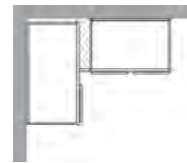


BLW39

| Item Number | G | H |
|-------------|---|---|
|-------------|---|---|

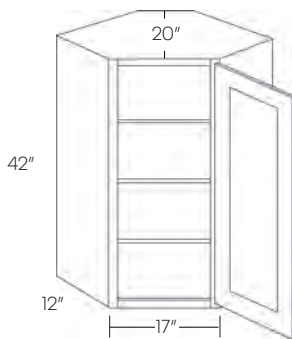
| | | |
|-------------------|-----|-----|
| BLW27/3042 | 680 | 707 |
| BLW36/3942 | 817 | 850 |
| BLW39/4242 | 894 | 931 |

- Reversible L or R
- Can be installed at actual size



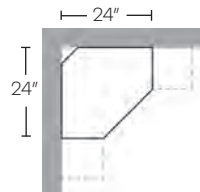
| Cabinet | Min. Pull | Max. Pull | Door |
|----------|-----------|-----------|------|
| BLW27/30 | 27" | 30" | 1236 |
| BLW36/39 | 36" | 39" | 2136 |
| BLW39/42 | 39" | 42" | 2436 |

42" High Diagonal Corner Wall Cabinet

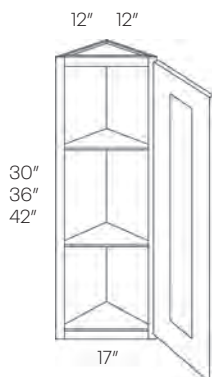


| | | |
|---------------|-----|-----|
| CW2442 | 701 | 729 |
|---------------|-----|-----|

- Requires 24" x 24" wall space



Single Door Wall End Cabinet



| | | |
|----------------|-----|-----|
| WEC1230 | N/A | 262 |
| WEC1242 | N/A | 331 |

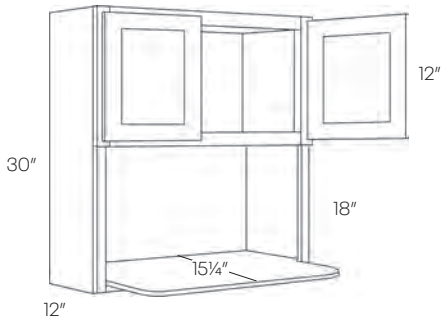
- 42" has 3 shelves
- Not available in Country Oak

| | | |
|-------------|---|---|
| Item Number | G | H |
|-------------|---|---|

Microwave Cabinet

| | | |
|---------------|-----|-----|
| MW3030 | 517 | 538 |
|---------------|-----|-----|

- Opening 27" x 18"
- Shelf is 15¼" deep
- Opening has natural finish



1 Door Base Cabinet

| Item Number | G | H |
|-------------|-----|-----|
| B9 | 313 | 325 |
| B12 | 359 | 374 |
| B15 | 377 | 392 |
| B18 | 396 | 412 |
| B21 | 450 | 469 |

• 10" Deep Shelf

2 Drawer 4 Door Base Cabinet

| Item Number | G | H |
|-------------|-----|-----|
| B48 | 811 | 845 |

• 10" Deep Shelf

1 Drawer 2 Door Base Cabinet

| Item Number | G | H |
|-------------|-----|-----|
| B24 | 480 | 500 |
| B27 | 529 | 551 |

• 10" Deep Shelf

3 Drawer Base Cabinet

| Item Number | G | H |
|-------------|-----|-----|
| DB12 | 528 | 550 |
| DB15 | 554 | 582 |
| DB18 | 571 | 594 |
| DB21 | 593 | 617 |
| DB24 | 614 | 639 |

2 Drawer 2 Door Base Cabinet

| Item Number | G | H |
|-------------|-----|-----|
| B30 | 577 | 601 |
| B33 | 617 | 642 |
| B36 | 647 | 673 |
| B39 | 689 | 717 |
| B42 | 726 | 755 |

• 10" Deep Shelf

Blind Base Cabinet

| Item Number | G | H |
|-----------------|-----|-----|
| BLB36/39 | 642 | 668 |
| BLB39/42 | 663 | 690 |
| BLB42/45 | 709 | 738 |

• Reversible L or R
 • Must be pulled to the minimum position
 *Left blind shown

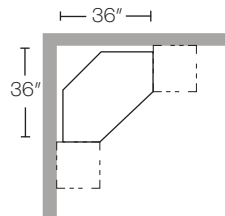
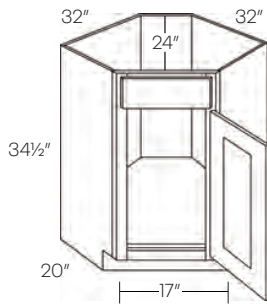
| Cabinet | Min. Pull | Max. Pull | Door |
|----------|-----------|-----------|------|
| BLB36/39 | 30" | 39" | B12 |
| BLB39/42 | 36" | 42" | B15 |
| BLB42/45 | 42" | 45" | B18 |

| Item Number | G | H |
|-------------|---|---|
|-------------|---|---|

Diagonal Corner Sink Base Cabinet

| | | |
|--------------|-----|------|
| CSB36 | 974 | 1014 |
|--------------|-----|------|

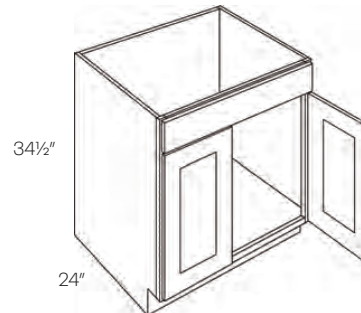
- Requires 36" x 36" wall space.



| Item Number | G | H |
|-------------|---|---|
|-------------|---|---|

1 Drawer Front 2 Door Sink Base

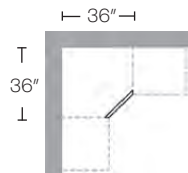
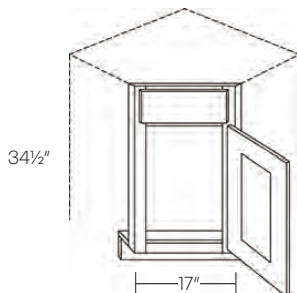
| | | |
|-------------|-----|-----|
| SB24 | 475 | 495 |
| SB27 | 510 | 531 |



Diagonal Corner Sink Front

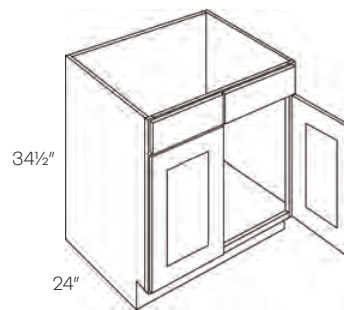
| | | |
|----------------------|-----|-----|
| CSF36 | 258 | 268 |
| CSF36 (Floor) | 120 | 125 |

- Requires 36" x 36" wall space.
- Requires Floor



2 Drawer Front 2 Door Sink Base

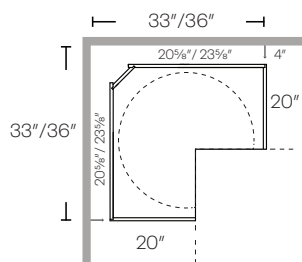
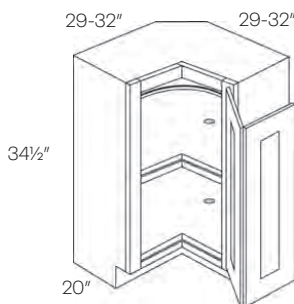
| | | |
|-------------|-----|-----|
| SB30 | 541 | 563 |
| SB33 | 573 | 596 |
| SB36 | 587 | 611 |
| SB39 | 601 | 625 |
| SB42 | 614 | 639 |



Lazy Susan Corner Base Cabinet

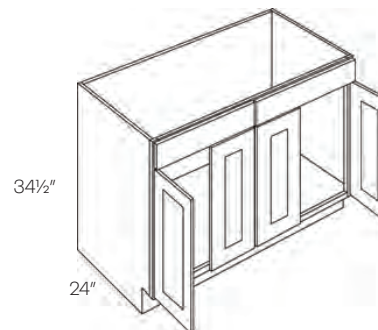
| | | |
|--------------|------|------|
| CAR33 | N/A | 1095 |
| CAR36 | 1052 | 1095 |

- Wood rotating shelf
- Requires 33" x 33" / 36" x 36" wall space
- Pie cut for 33" is 9" and for 36" is 12"



2 Drawer 4 Door Base Cabinet

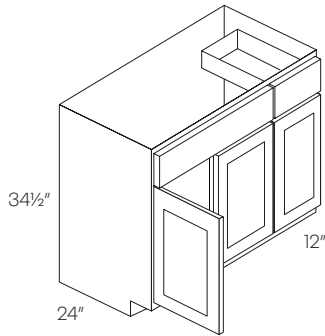
| | | |
|-------------|-----|-----|
| SB48 | 691 | 719 |
|-------------|-----|-----|



| Item Number | G | H |
|-------------|---|---|
|-------------|---|---|

Combination Sink Base Cabinet

| | | |
|---------------|-----|-----|
| SB42RD | 652 | N/A |
| SB42LD | 652 | N/A |

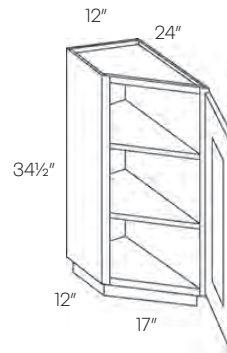


- Drawer is 12" wide
- Right Drawer (RD) shown

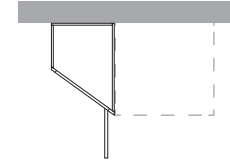
| Item Number | G | H |
|-------------|---|---|
|-------------|---|---|

Angle Base End Cabinet

| | | |
|----------------|-----|-----|
| BTC2412 | N/A | 373 |
|----------------|-----|-----|

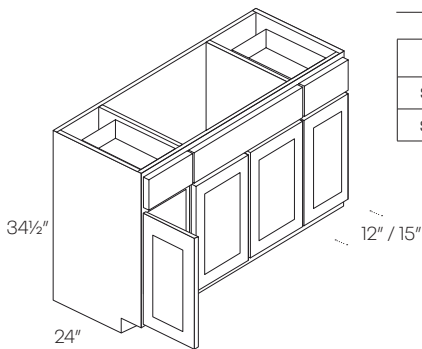


- Reversible
- Loose toe kick
- Hinged on 24"



Combination Sink Base Cabinet

| | | |
|-------------|-----|-----|
| SB54 | 772 | 803 |
| SB60 | 841 | 875 |

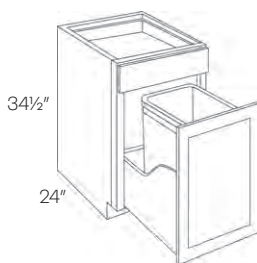


| | Door | Sink | Door |
|------|------|------|------|
| SB54 | 12" | 30" | 12" |
| SB60 | 15" | 30" | 15" |

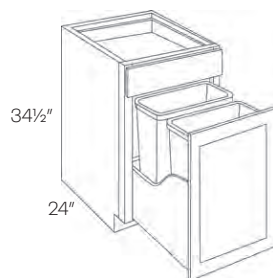
Waste Basket Cabinet

| | | |
|---------------------|-----|-----|
| BWBK15 (1-B) | N/A | 756 |
| BWBK18 (2-B) | N/A | 839 |

- Includes 35qt. waste basket (BK18 gets 2)



BWBK15

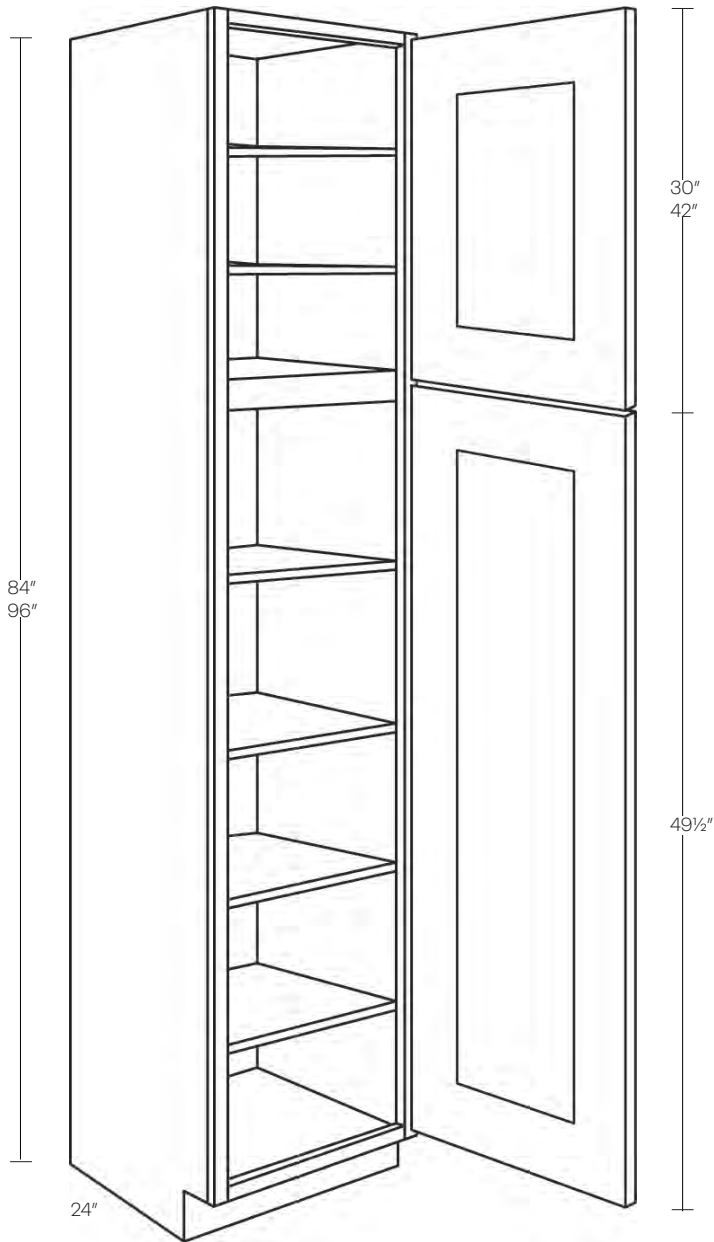


BWBK18

| Item Number | G | H |
|-------------|---|---|
|-------------|---|---|

Single Door Utility Cabinet

| | | |
|-------------------|------|------|
| UC1824X84* | 1202 | 1250 |
| UC1824X96* | 1563 | 1625 |



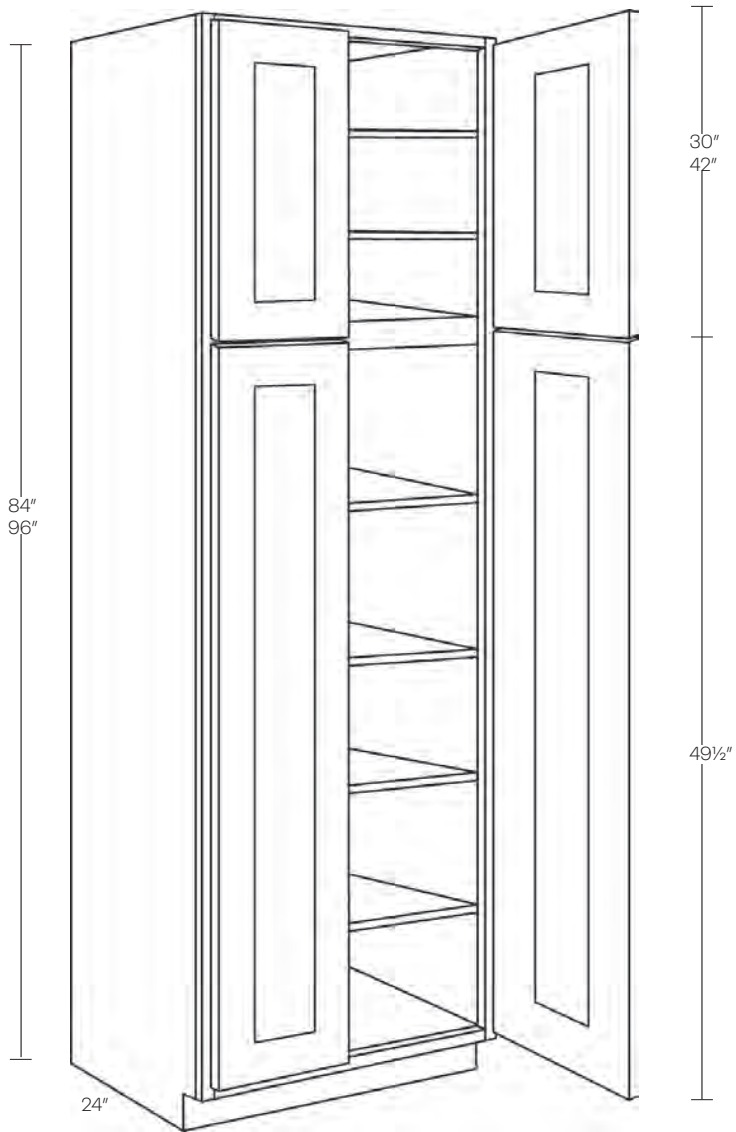
* 84" has 2 upper shelves
 * 96" has 3 upper shelves

| Item Number | G | H |
|-------------|---|---|
|-------------|---|---|

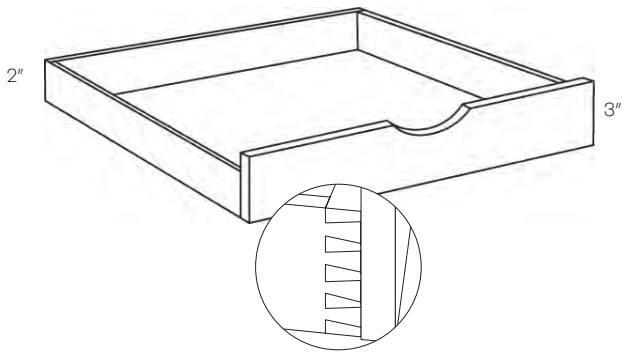
Double Door Utility Cabinet

| | | |
|-------------------|------|------|
| UC2424X84* | 1384 | 1439 |
| UC2424X96* | 1748 | 1818 |

* 84" has 2 upper shelves
 * 96" has 3 upper shelves



Pull Out Shelf

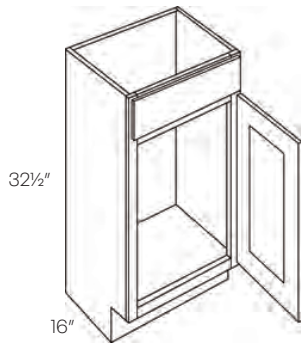


| Item Number | G | H |
|-------------|-----|-----|
| POS-12 | 171 | 171 |
| POS-15 | 179 | 179 |
| POS-18 | 198 | 198 |
| POS-21 | 208 | 208 |
| POS-24 | 235 | 235 |
| POS-27 | 244 | 244 |
| POS-30 | 255 | 255 |
| POS-33 | 266 | 266 |
| POS-36 | 285 | 285 |
| POS-42 | 299 | 299 |

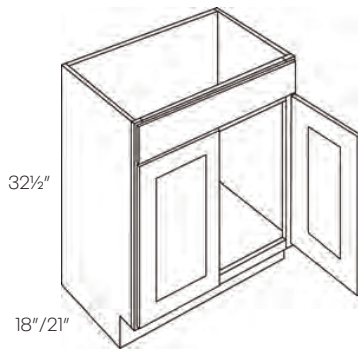
- Natural finish
- Ball bearing soft-close glides included
- POS uses dovetail construction

| Item Number | G | H |
|--------------|-----|-----|
| V1816 | 234 | 243 |

1 Door Vanity Sink Base Cabinet

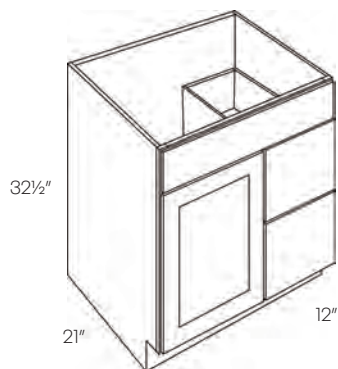


2 Door Vanity Sink Base Cabinet



| | | |
|--------------|-----|-----|
| V2418 | 301 | 314 |
| V3018 | 383 | 399 |
| V2421 | 325 | 339 |
| V3021 | 407 | 424 |
| V3621 | 492 | 512 |

1 Door 2 Drawer Vanity Sink Base Cabinet



| | | |
|---------------|-----|-----|
| V2421D | 470 | 489 |
| V3021D | 644 | 670 |

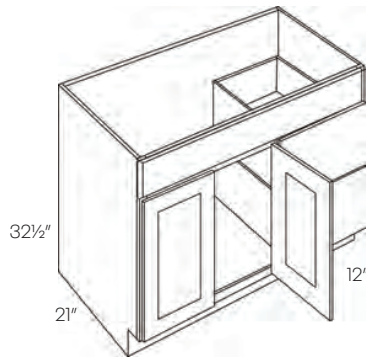
• Drawers on right hand side only

| Item Number | G | H |
|-------------|---|---|
|-------------|---|---|

2 Door 2 Drawer Vanity Sink Base Cabinet

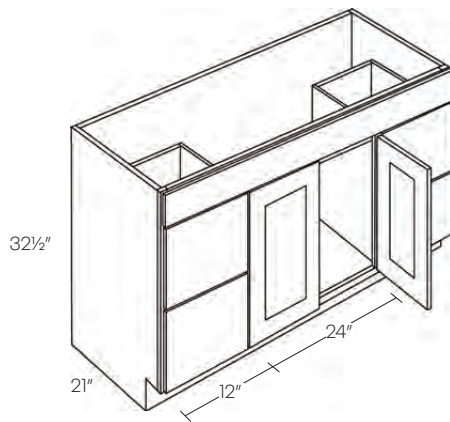
| | | |
|--------|-----|-----|
| V3621D | 729 | 758 |
| V4221D | 740 | 771 |

• Drawers on right hand side only



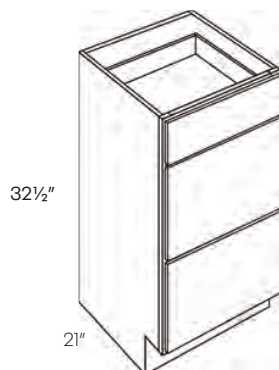
2 Door 4 Drawer Vanity Sink Base Cabinet

| | | |
|---------|-----|-----|
| V4821DD | 846 | 880 |
|---------|-----|-----|



Vanity Drawer Base Cabinet

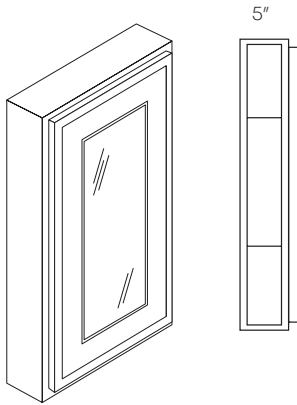
| | | |
|-------|-----|-----|
| VDB12 | N/A | 533 |
| VDB15 | 540 | 562 |
| VDB18 | 552 | 575 |



| Item Number | G | H |
|-------------|---|---|
|-------------|---|---|

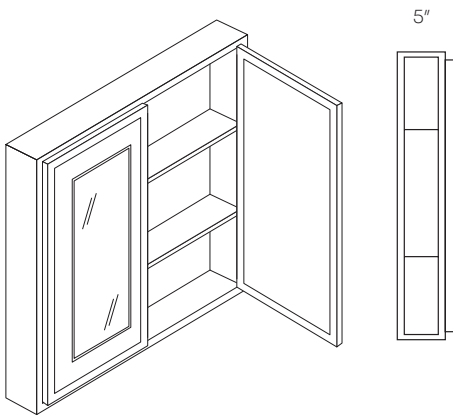
Single Door Medicine Cabinet

| | | |
|---------------|-----|-----|
| MC1830 | 235 | 243 |
|---------------|-----|-----|



Double Door Medicine Cabinet

| | | |
|---------------|-----|-----|
| MC2430 | 420 | 436 |
| MC3030 | 469 | 485 |
| MC3630 | 527 | 547 |



| Item Number | G | H |
|-------------|-----|-----|
| F330 | 38 | 44 |
| F630 | 60 | 76 |
| F342 | 51 | 58 |
| F642 | 84 | 104 |
| F396 | 99 | 138 |
| F696 | 192 | 230 |

• Fillers finished on all 4 sides

Filler

3/4" 3/4"

F330/F630/F342/F642 F396/F696

| Item Number | G | H |
|---------------|-----|-----|
| PLY4X8 | 288 | 356 |

Plywood Panel

48" 96"

1/4"

| Item Number | G | H |
|-------------|-----|-----|
| DWR3 | 130 | 236 |
| BEP | N/A | 206 |

Base End Panel

1/2" 24" 34 1/2" 3"

3/4" 24" 34 1/2" 3"

DWR BEP

| Item Number | G | H |
|-------------|-----|-----|
| CRM | 94 | 122 |
| CRMS | N/A | 122 |

• 8 feet long

Crown Molding

CRM Height: 2" Projection: 2"

CRMS Height: 2" Projection: 2"

| Item Number | G | H |
|---------------|-----|-----|
| REP384 | 366 | 408 |
| REP396 | 403 | 450 |
| UREP24 | N/A | 313 |
| UREP30 | N/A | 417 |

Refrigerator End Panel

1/2" 24" / 30" 96" 3/4"

24" 3"

REP3 UREP

| Item Number | G | H |
|--------------|-----|-----|
| RCRM | N/A | 345 |
| RCRMS | N/A | 345 |
| RCRMC | N/A | 345 |

• 8 feet long

Royal Crown Molding

RCRM Height: 3 1/2" Projection: 2 1/2"

RCRMS Height: 3 1/8" Projection: 3 1/8"

RCRMC Height: 3 1/8" Projection: 3 1/8"

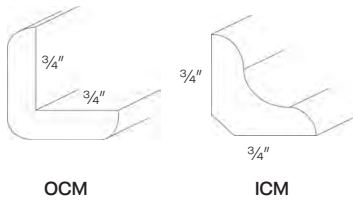
| Item Number | G | H |
|-------------|---|---|
|-------------|---|---|

| Item Number | G | H |
|-------------|---|---|
|-------------|---|---|

Corner Molding

| | | |
|------------|----|----|
| OCM | 89 | 92 |
| ICM | 89 | 92 |

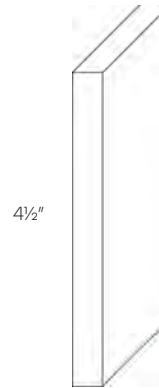
• 8 feet long



Toe Kick

| | | |
|------------|----|----|
| TKS | 66 | 76 |
|------------|----|----|

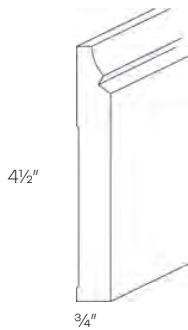
• 8 feet long



Base Molding

| | | |
|-------------|-----|-----|
| BSMS | N/A | 245 |
|-------------|-----|-----|

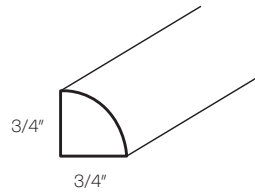
• 8 feet long



Shoe Molding

| | | |
|------------|-----|-----|
| SHM | N/A | 103 |
|------------|-----|-----|

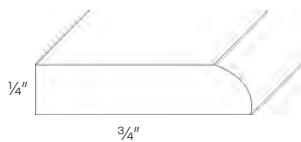
• 8 feet long



Scribe Molding

| | | |
|------------|----|----|
| SCM | 59 | 74 |
|------------|----|----|

• 8 feet long



Touch Up Kit / Stain

| | | |
|----------------|-----|-----|
| TUP | 78 | 78 |
| TUP-STN | N/A | 102 |

• TUP-STN is a pint available in all finishes

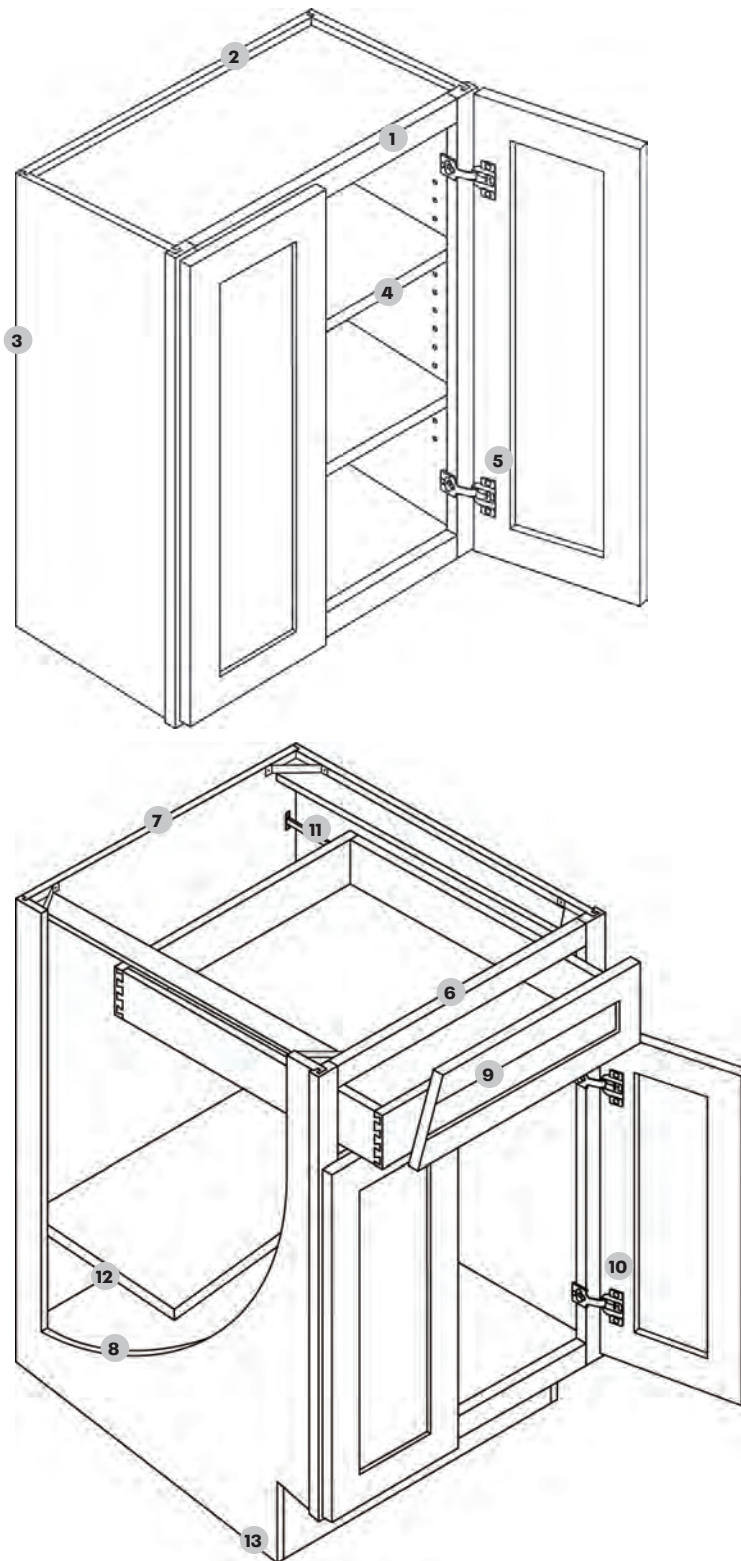


TUP

TUP-STN

Cabinet & Door Information

Concord Collection



- 1 **Frame** — 3/4" thick, 1 1/2" wide, kiln-dried solid hardwood. Frame and sides are installed with our interlocking system, which insures easy assembly and inseparable strength
- 2 **Back panel** — Full 1/2" plywood back, installed with our interlock system. Screwed to top and bottom. Exterior is finished.
- 3 **End panel** — 1/2" Plywood sides. Finished exterior with a natural wood-finish veneer interior.
- 4 **Shelves** — 3/4" thick, plywood; fully adjustable.
- 5 **Hinges** — Heavy duty steel concealed hinge, adjustable with soft-close mechanism.
- 6 **Base frame** — 3/4" thick, 1 1/2" wide, kiln-dried solid hardwood. Frame and sides are installed with our interlocking system, which insures easy assembly and inseparable strength. Exterior is finished.
- 7 **Back panel** — Full 1/2" plywood back, installed with our interlock system. Screwed to top and bottom.
- 8 **End panel** — 1/2" Plywood sides. Finished exterior with a natural wood-finish veneer interior.
- 9 **Drawers** — 3/4" Solid wood, dovetail construction. With high quality stainless steel full extension under-mount glide. With soft-close safety feature.
- 10 **Hinges** — Heavy duty steel concealed hinge, adjustable with soft-close mechanism.
- 11 **Glides** — High quality stainless steel full extension under-mount glide. With soft-close safety feature.
- 12 **Shelves** — 3/4" thick, plywood; fully adjustable. (10" deep)
- 13 **Toe kick** — 4 1/2" Toe kick with 2 1/2" inset on all standard base and vanity cabinets.

Elegant



| Finish | Price Code | Species |
|-----------------------------|------------|---------|
| EB02 - Smoky Grey (stain) | A | Birch |
| EB10 - White (paint) | A | Birch |
| EB11 - Espresso (stain) | A | Birch |
| EB21 - Ocean Blue (stain) | A | Birch |
| EB22 - Dove (paint) | A | Birch |
| EB23 - Stone (hybrid stain) | A | Birch |

A full overlay 5 piece solid wood, with solid MDF veneer flat center panel. Mortise and Tenon construction.

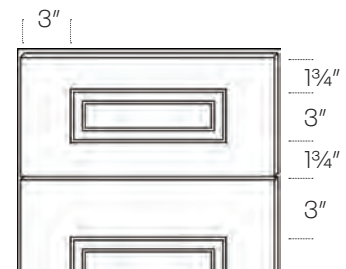


Fashion

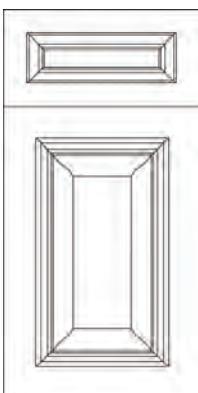


| Finish | Price Code | Species |
|---------------------------|------------|---------|
| FB10 - White (paint) | B | Birch |
| FB13 - Pearl (paint) | B | Birch |
| FB21 - Ocean Blue (stain) | B | Birch |
| FB22 - Dove (paint) | B | Birch |

A full overlay 5 piece solid wood, with solid MDF veneer flat center panel. Mortise and Tenon construction.

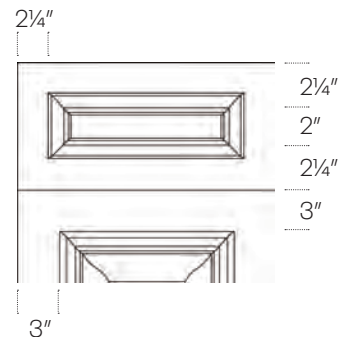


Park Avenue

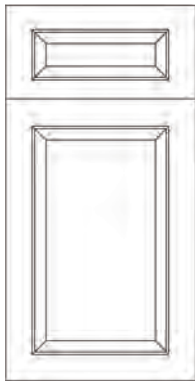


| Finish | Price Code | Species |
|--------------------------|------------|---------|
| PB10 - White (paint) | C | Birch |
| PB21- Ocean Blue (stain) | C | Birch |

A full overlay 5 piece solid wood, raised panel MDF veneer center. Mitered construction.

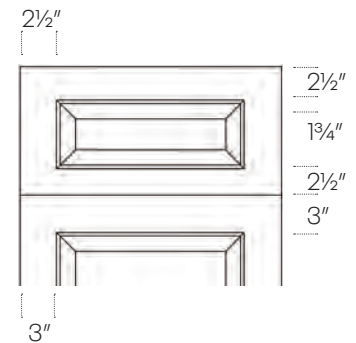


Richmond

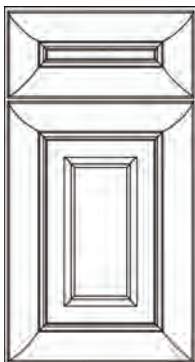


| Finish | Price Code | Species |
|-----------------------------|------------|---------|
| RB10 - White (paint) | C | Birch |
| RB23 - Stone (hybrid stain) | C | Birch |

A full overlay 5 piece solid wood, with solid MDF veneer flat center panel. Mitered construction.

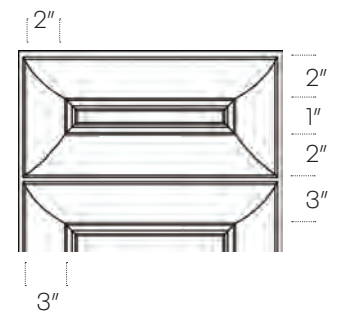


Harmony



| Finish | Price Code | Species |
|----------------------|------------|---------|
| HB13 - Pearl (paint) | C | Birch |

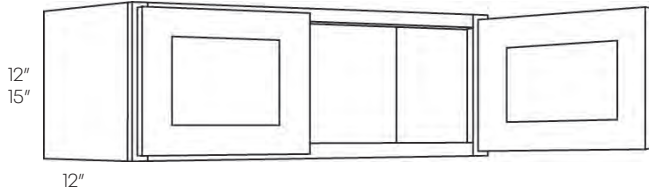
A full overlay 5 piece solid wood, raised panel MDF veneer center. Mitered construction.



Specifications and Prices

Concord Collection

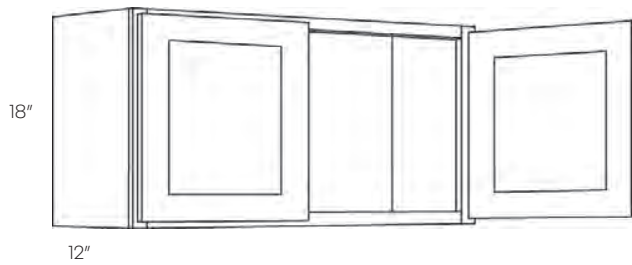
12"-15" High Wall Cabinet



| Item Number | A | B | C |
|-------------|-----|-----|-----|
| 3012 | 371 | 394 | 416 |
| 3312 | 393 | 417 | 441 |
| 3612 | 428 | 454 | 480 |
| 2415 | 374 | 397 | 418 |
| 3015 | 385 | 409 | 432 |
| 3315 | 407 | 432 | 456 |
| 3615 | 469 | 497 | 525 |

- No Shelf
- Can be cut for glass

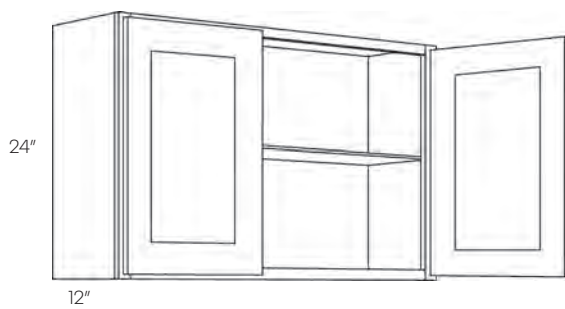
18" High Wall Cabinet



| | | | |
|-----------------|-----|-----|-----|
| 2118 (one door) | 354 | 376 | 397 |
| 2418 | 391 | 415 | 438 |
| 3018 | 411 | 436 | 461 |
| 3318 | 424 | 450 | 475 |
| 3618 | 485 | 515 | 544 |
| 3918* | 544 | N/A | N/A |

- No Shelf
 - Can be cut for glass
- *3918 only available in EB10

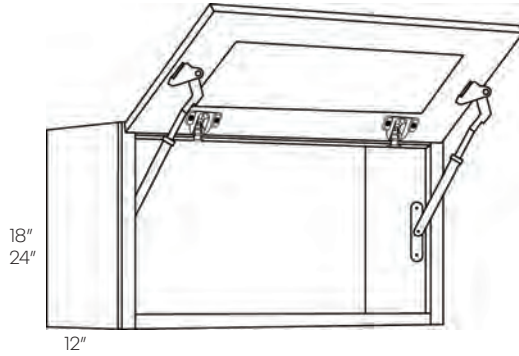
24" High Wall Cabinet



| | | | |
|-------|-----|-----|-----|
| 2424 | 527 | 560 | 591 |
| 2724 | 530 | 563 | 594 |
| 3024 | 538 | 570 | 602 |
| 3324 | 571 | 606 | 640 |
| 3624 | 613 | 650 | 687 |
| 3924* | 638 | N/A | N/A |
| 4224 | 691 | 733 | 775 |

- Can be cut for glass
- *3924 only available in EB10

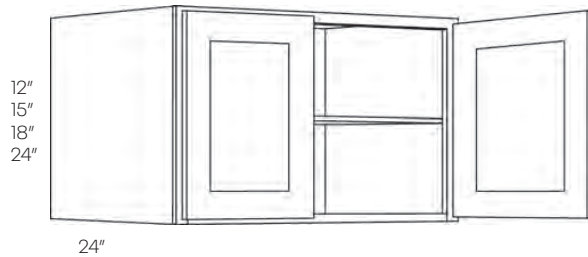
Horizontal Wall Cabinet



| Item Number | A | B | C |
|-------------|-----|-----|-----|
| 3012-HD | 597 | 634 | 669 |
| 3015-HD | 611 | 648 | 685 |
| 3018-HD | 617 | 655 | 691 |
| 3024-HD * | 763 | 809 | 855 |
| 3612-HD | 654 | 693 | 732 |
| 3615-HD | 694 | 736 | 778 |
| 3618-HD | 711 | 754 | 797 |
| 3624-HD* | 839 | 890 | 940 |

- *Has a shelf
- Can be cut for glass

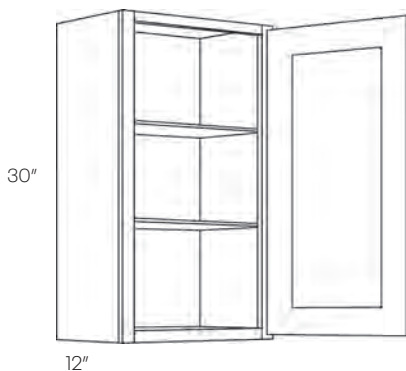
24" Deep Wall Cabinet



| | | | |
|----------|-----|-----|-----|
| 3012X24 | 524 | 556 | 588 |
| 3015X24 | 555 | 590 | 613 |
| 3018X24 | 587 | 622 | 658 |
| 3021X24* | 655 | N/A | N/A |
| 3024X24* | 722 | 765 | 808 |
| 3312X24 | 534 | 567 | 599 |
| 3315X24 | 534 | 567 | 599 |
| 3318X24 | 633 | 671 | 709 |
| 3324X24* | 774 | 821 | 867 |
| 3612X24 | 576 | 612 | 646 |
| 3615X24 | 576 | 612 | 646 |
| 3618X24 | 673 | 714 | 755 |
| 3624X24* | 830 | 880 | 931 |

- * Has one shelf
- Can be cut for glass
- *3021x24 only available in EB10

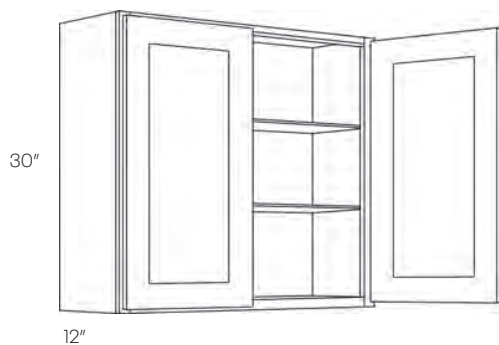
30" High Single Door Wall Cabinet



| | | | |
|------|-----|-----|-----|
| 930 | 305 | 323 | 341 |
| 1230 | 340 | 361 | 381 |
| 1530 | 366 | 388 | 410 |
| 1830 | 412 | 437 | 462 |
| 2130 | 493 | 523 | 552 |

- Can be cut for glass

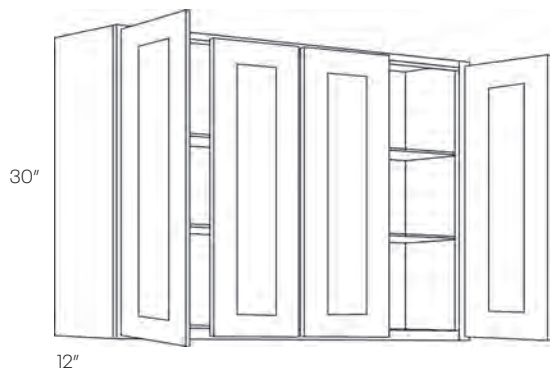
30" High Double Door Wall Cabinet



| Item Number | A | B | C |
|-------------|-----|-----|-----|
| 2430 | 525 | 557 | 589 |
| 2730 | 579 | 615 | 649 |
| 3030 | 593 | 630 | 665 |
| 3330 | 647 | 687 | 726 |
| 3630 | 687 | 729 | 770 |
| 3930 | 743 | 788 | 833 |
| 4230 | 801 | 849 | 897 |

• Can be cut for glass

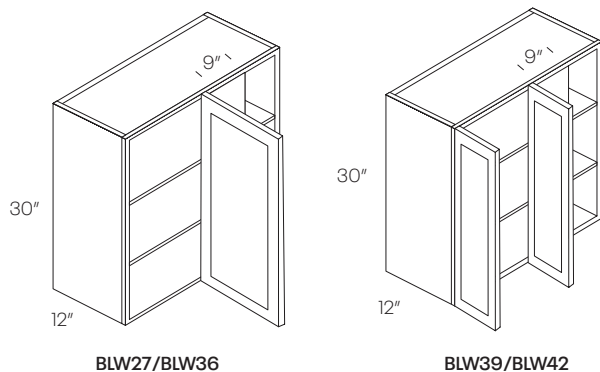
30" High 4 Door Wall Cabinet



| | | | |
|------|-----|-----|------|
| 4830 | 901 | 956 | 1010 |
|------|-----|-----|------|

• Can be cut for glass

30" High Blind Wall Cabinet

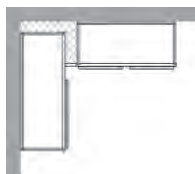


BLW27/BLW36

BLW39/BLW42

| | | | |
|---------------------|------|------|------|
| BLW27/3030 (1 door) | 748 | 793 | 838 |
| BLW36/3930 (1 door) | 897 | 951 | 1005 |
| BLW39/4230 | 979 | 1038 | 1097 |
| BLW42/4530 | 1075 | 1140 | 1204 |

• Reversible left or right
• Can be cut for glass

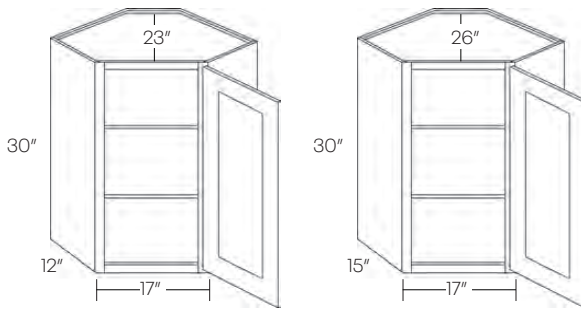


| Cabinet | Min. Pull | Max. Pull | Door |
|----------|-----------|-----------|------|
| BLW27/30 | 27" | 30" | 1230 |
| BLW36/39 | 36" | 39" | 2130 |
| BLW39/42 | 39" | 42" | 2430 |
| BLW42/45 | 42" | 45" | 2730 |

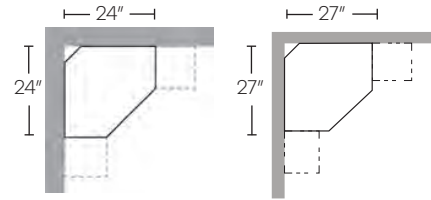
| Item Number | A | B | C |
|-------------|---|---|---|
|-------------|---|---|---|

30" High Diagonal Corner Wall Cabinet

| | | | |
|---------------|-----|-----|-----|
| CW2430 | 766 | 812 | 858 |
| CW2730 | 854 | 905 | 960 |

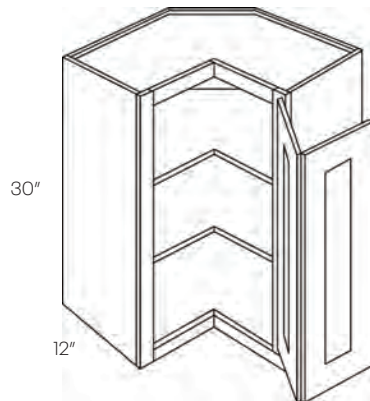


- Can be cut for glass
- 2430 uses 14¹¹/₁₆" door; 2730 uses 16⁹/₁₆" door
- Requires 24" X 24" / 27" X 27" wall space

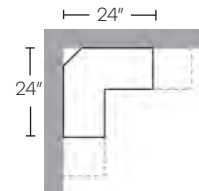


30" High Corner Wall Cabinet

| | | | |
|----------------|-----|-----|-----|
| WSQ2430 | 822 | 872 | 921 |
|----------------|-----|-----|-----|



- Requires 24" X 24" wall space
- Pie is 12" X 12"



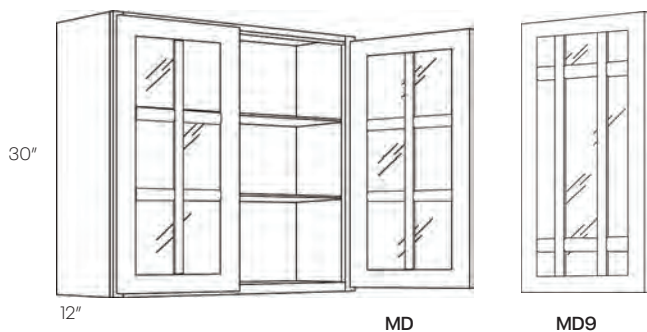
30" High Single Mullion Door Wall Cabinet

| | | | |
|--------------------|-----|-----|-----|
| MD-WF11530 | N/A | N/A | 773 |
| MD-WF1830 | N/A | N/A | 876 |
| MD9-WF11530 | 689 | 731 | N/A |
| MD9-WF1830 | 782 | 829 | N/A |



- Glass not included
- Finished interior
- MD only in: HB, PB
- MD9 only in: EB, FB
- Not available in RB

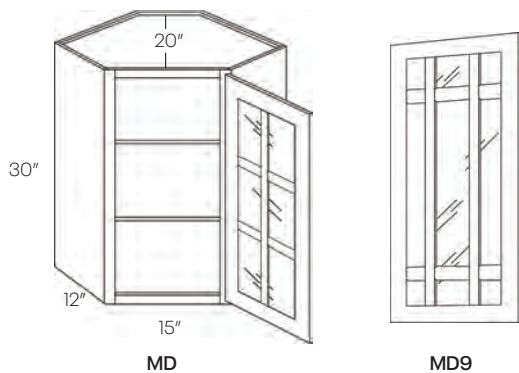
30" High Double Mullion Door Wall Cabinet



| Item Number | A | B | C |
|-------------|-----|-----|-----|
| MD-WFI3036 | N/A | N/A | 887 |
| MD-WFI3636 | N/A | N/A | 995 |
| MD9-WFI3036 | 792 | 840 | N/A |
| MD9-WFI3636 | 889 | 942 | N/A |

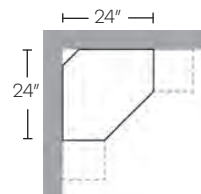
- Glass not included
- Finished interior
- MD only in: HB, PB
- MD9 only in: EB, FB
- Not available in RB

30" High Corner Mullion Door Wall Cabinet

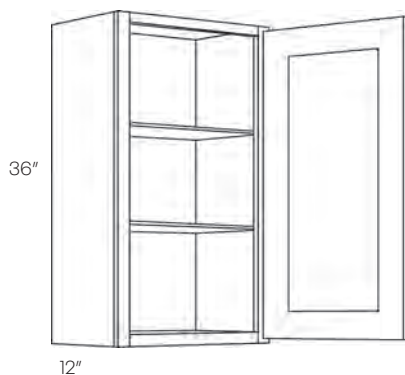


| | | | |
|--------------|------|------|------|
| MD-CWFI2430 | N/A | N/A | 1317 |
| MD9-CWFI2430 | 1176 | 1247 | N/A |

- Requires 24" X 24" wall space
- Glass not included
- Finished interior
- MD only in: HB, PB • MD9 only in: EB, FB



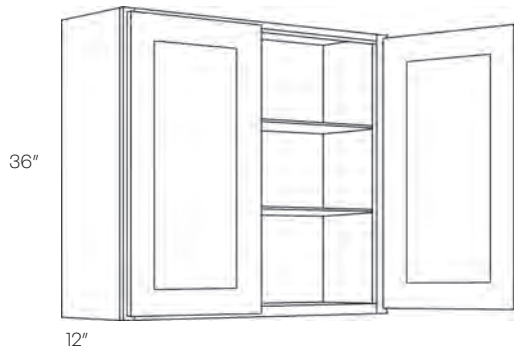
36" High Single Door Wall Cabinet



| | | | |
|------|-----|-----|-----|
| 936 | 366 | 388 | 410 |
| 1236 | 404 | 429 | 453 |
| 1536 | 440 | 468 | 494 |
| 1836 | 490 | 520 | 549 |
| 2136 | 589 | 624 | 660 |

- Can be cut for glass

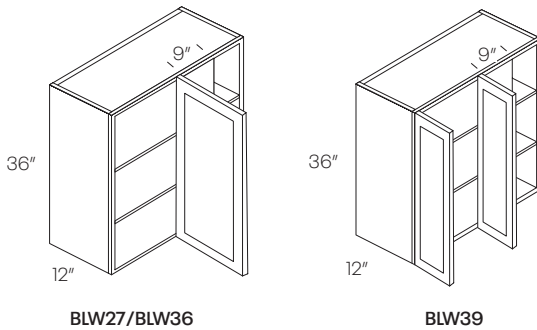
36" High Double Door Wall Cabinet



| Item Number | A | B | C |
|-------------|-----|------|------|
| 2436 | 627 | 665 | 703 |
| 2736 | 694 | 736 | 778 |
| 3036 | 724 | 768 | 811 |
| 3336 | 774 | 821 | 867 |
| 3636 | 819 | 868 | 917 |
| 4236 | 961 | 1019 | 1077 |

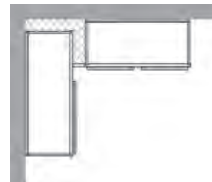
- Can be cut for glass

36" High Blind Wall Cabinet



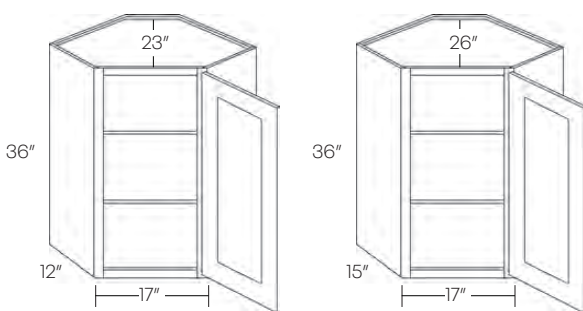
| | | | |
|------------|------|------|------|
| BLW27/3036 | 871 | 923 | 975 |
| BLW36/3936 | 1034 | 1097 | 1158 |
| BLW39/4236 | 1147 | 1216 | 1285 |

- Reversible left or right
- Can be cut for glass



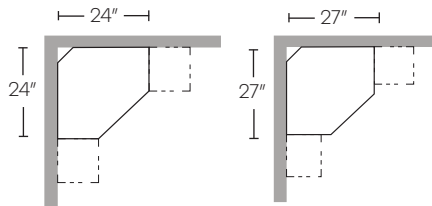
| Cabinet | Min. Pull | Max. Pull | Door |
|----------|-----------|-----------|------|
| BLW27/30 | 27" | 30" | 1236 |
| BLW36/39 | 36" | 39" | 2136 |
| BLW39/42 | 39" | 42" | 2436 |

36" High Diagonal Corner Wall Cabinet



| | | | |
|--------|-----|------|------|
| CW2436 | 806 | 855 | 903 |
| CW2736 | 942 | 1000 | 1056 |

- Can be cut for glass
- 2430 uses 14¹/₁₆" door; 2730 uses 16³/₁₆" door
- Requires 24" X 24" / 27" X 27" wall space

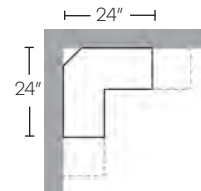
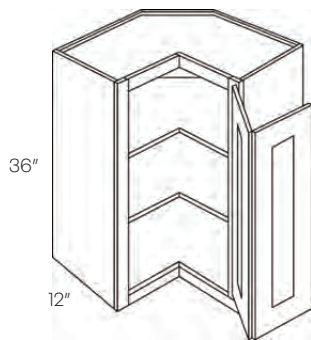


| Item Number | A | B | C |
|-------------|---|---|---|
|-------------|---|---|---|

36" High Corner Wall Cabinet

| | | | |
|----------------|-----|-----|-----|
| WSQ2436 | 865 | 917 | 969 |
|----------------|-----|-----|-----|

- Requires 24" X 24" wall space
- Pie is 12" X 12"



36" High Single Mullion Door Wall Cabinet

| | | | |
|-------------------|-----|-----|-----|
| MD-WF1536 | N/A | N/A | 887 |
| MD-WF1836 | N/A | N/A | 995 |
| MD9-WF1536 | 792 | 840 | N/A |
| MD9-WF1836 | 889 | 942 | N/A |

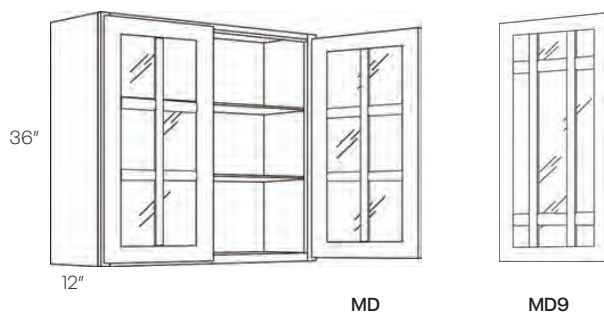
- Glass not included
- Finished interior
- MD only in: HB, PB
- MD9 only in: EB, FB
- Not available in RB



36" High Double Mullion Door Wall Cabinet

| | | | |
|-------------------|-----|-----|-----|
| MD-WF3036 | N/A | N/A | 887 |
| MD-WF3636 | N/A | N/A | 995 |
| MD9-WF3036 | 792 | 840 | N/A |
| MD9-WF3636 | 889 | 942 | N/A |

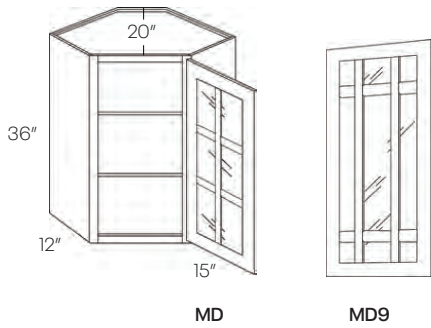
- Glass not included
- Finished interior
- MD only in: HB, PB
- MD9 only in: EB, FB
- Not available in RB



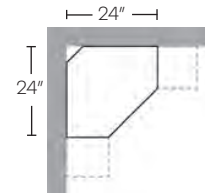
| Item Number | A | B | C |
|-------------|---|---|---|
|-------------|---|---|---|

36" High Corner Mullion Door Wall Cabinet

| | | | |
|---------------------|------|------|------|
| MD-CWFI2436 | N/A | N/A | 1549 |
| MD9-CWFI2436 | 1348 | 1429 | N/A |

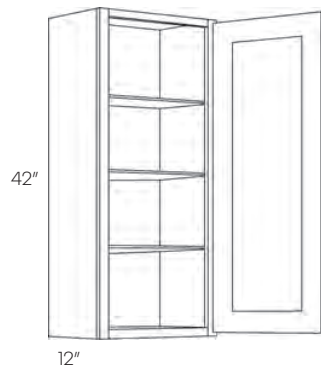


- Glass not included
- Finished interior
- MD only in: HB, PB
- MD9 only in: EB, FB



42" High Single Door Wall Cabinet

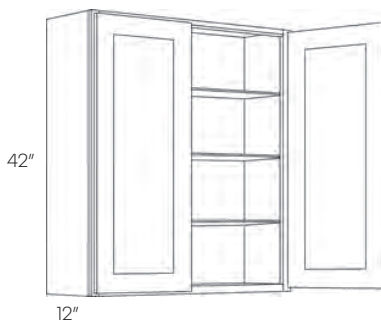
| | | | |
|-------------|-----|-----|-----|
| 942 | 408 | 433 | 457 |
| 1242 | 447 | 474 | 501 |
| 1542 | 491 | 521 | 550 |
| 1842 | 545 | 578 | 611 |
| 2142 | 653 | 692 | 731 |



- Can be cut for glass

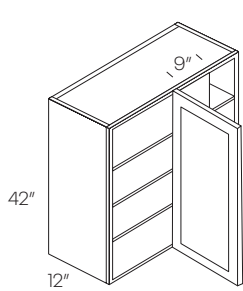
42" High Double Door Wall Cabinet

| | | | |
|-------------|------|------|------|
| 2442 | 701 | 743 | 785 |
| 2742 | 769 | 816 | 862 |
| 3042 | 797 | 845 | 893 |
| 3342 | 858 | 911 | 962 |
| 3642 | 909 | 964 | 1018 |
| 4242 | 1057 | 1121 | 1184 |

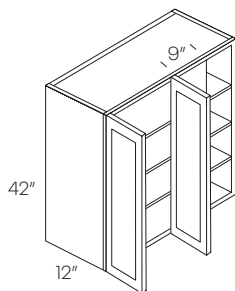


- Can be cut for glass

42" High Blind Wall Cabinet



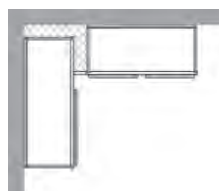
BLW27/BLW36



BLW39

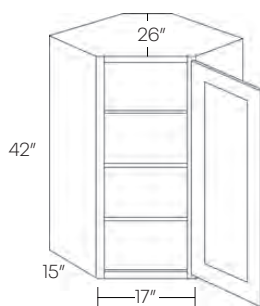
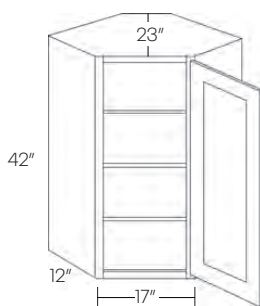
| Item Number | A | B | C |
|-------------|------|------|------|
| BLW27/3042 | 969 | 1028 | 1086 |
| BLW36/3942 | 1164 | 1234 | 1304 |
| BLW39/4242 | 1272 | 1350 | 1426 |

- Can be cut for glass
- Reversible left or right



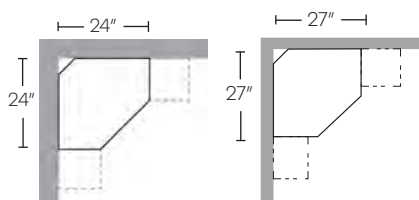
| Cabinet | Min. Pull | Max. Pull | Door |
|----------|-----------|-----------|------|
| BLW27/30 | 27" | 30" | 1242 |
| BLW36/39 | 36" | 39" | 2142 |
| BLW39/42 | 39" | 42" | 2442 |

42" High 4 Door Wall Cabinet

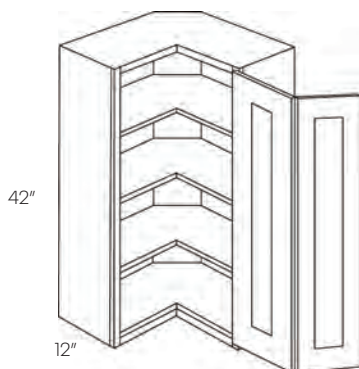


| | | | |
|--------|------|------|------|
| CW2442 | 1000 | 1060 | 1120 |
| CW2742 | 1164 | 1234 | 1304 |

- Can be cut for glass
- 2430 uses 14¹¹/₁₆" door; 2730 uses 16³/₁₆" door
- Requires 24" X 24" / 27" X 27" wall space

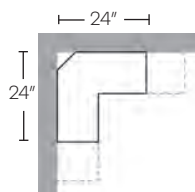


42" High Corner Wall Cabinet



| | | | |
|---------|------|------|------|
| WSQ2442 | 1073 | 1137 | 1202 |
|---------|------|------|------|

- Requires 24" X 24"
- Pie is 12" X 12"



| Item Number | A | B | C |
|-------------|---|---|---|
|-------------|---|---|---|

42" High Single Mullion Door Wall Cabinet



| | | | |
|-------------|-----|------|------|
| MD-WFI1542 | N/A | N/A | 1005 |
| MD-WFI1842 | N/A | N/A | 1119 |
| MD9-WFI1542 | 897 | 951 | N/A |
| MD9-WFI1842 | 998 | 1059 | N/A |

- Glass not included
- Finished interior
- MD only in: HB, PB
- MD9 only in: EB, FB
- Not available in RB

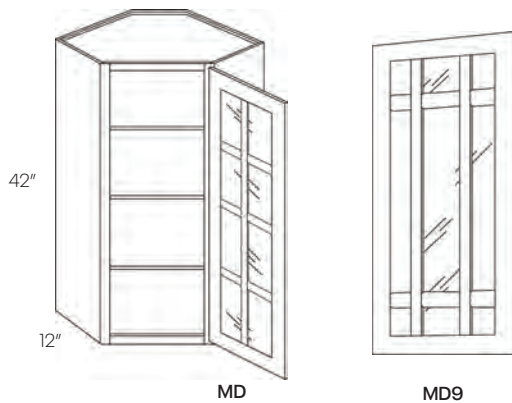
42" High Double Mullion Door Wall Cabinet



| | | | |
|-------------|------|------|------|
| MD-WFI3042 | N/A | N/A | 1755 |
| MD-WFI3642 | N/A | N/A | 1994 |
| MD9-WFI3042 | 1567 | 1661 | N/A |
| MD9-WFI3642 | 1780 | 1888 | N/A |

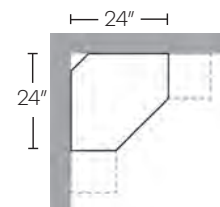
- Glass not included
- Finished interior
- MD only in: HB, PB
- MD9 only in: EB, FB
- Not available in RB

42" High Corner Mullion Door Wall Cabinet



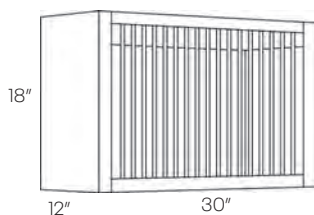
| | | | |
|--------------|------|------|------|
| MD-CWF12442 | N/A | N/A | 1698 |
| MD9-CWF12442 | 1516 | 1607 | N/A |

- Requires 24" X 24" wall space
- Glass not included
- Finished interior
- MD only in: HB, PB
- MD9 only in: EB, FB

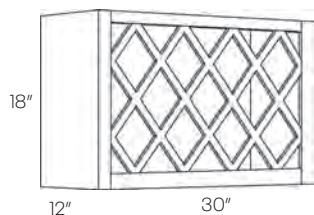


| Item Number | A | B | C |
|----------------|-----|-----|-----|
| PR3018 | 515 | 515 | 515 |
| WR3018 | 515 | 515 | 515 |
| WCX1818 | 312 | 312 | 312 |
| SGH30 | 166 | 166 | 166 |

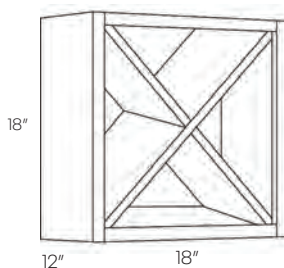
Plate & Wine Rack Cabinet



PR3018



WR3018



WCX1818

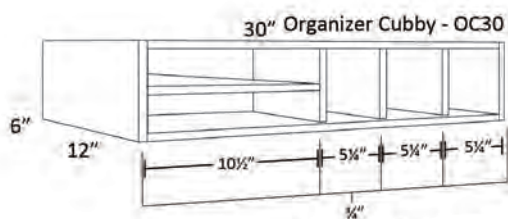


SGH30

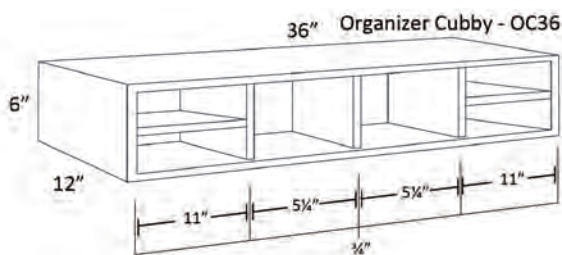
• Finished interior

Organizer Cubby

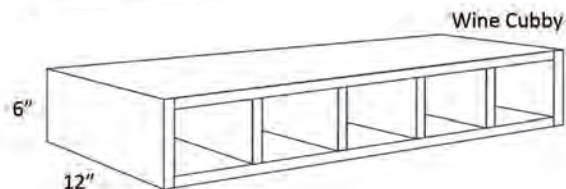
| | | | |
|-------------|-----|-----|-----|
| OC30 | 223 | 223 | 223 |
| OC36 | 257 | 257 | 257 |
| WC30 | 236 | 236 | 236 |
| WC36 | 244 | 244 | 244 |



30" Organizer Cubby - OC30



36" Organizer Cubby - OC36

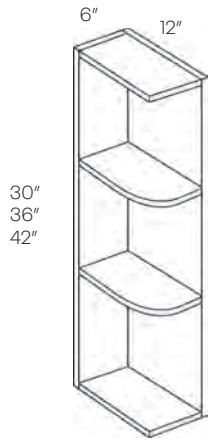


Wine Cubby

• Finished interior

| Item Number | A | B | C |
|-------------|---|---|---|
|-------------|---|---|---|

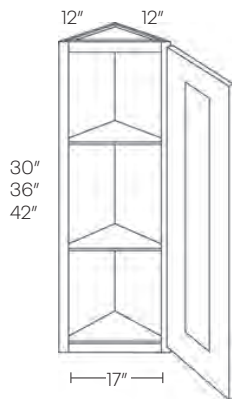
Knick Knack Wall Shelf



| | | | |
|-------------|-----|-----|-----|
| WS30 | 180 | 192 | 202 |
| WS36 | 212 | 225 | 238 |
| WS42 | 241 | 255 | 270 |

- Reversible
- Fixed shelves
- 42" Has 3 shelves

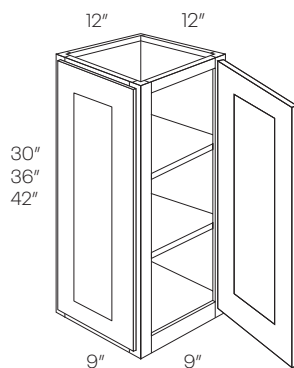
Single Door Wall End Cabinet



| | | | |
|----------------|-----|-----|-----|
| WEC1230 | 351 | 373 | 393 |
| WEC1236 | 393 | 417 | 441 |
| WEC1242 | 439 | 467 | 493 |

- 42" Has 3 shelves

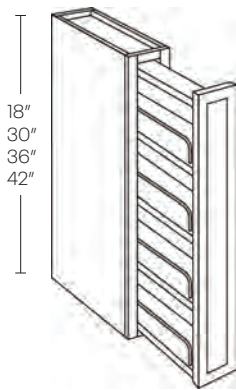
Double Door Wall End Cabinet



| | | | |
|-----------------|-----|-----|-----|
| WECD1230 | 439 | 467 | 493 |
| WECD1236 | 493 | 523 | 552 |
| WECD1242 | 549 | 583 | 615 |

- 42" Has 3 shelves

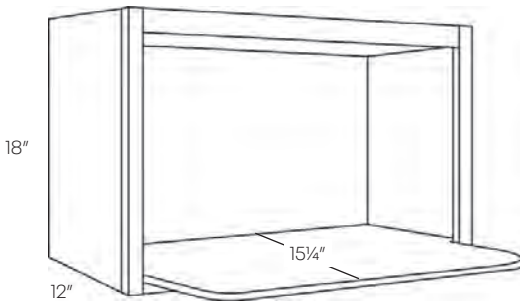
Wall Spice Cabinet



| Item Number | A | B | C |
|-------------|-----|-----|-----|
| WSP18 | 265 | 282 | 297 |
| WSP30 | 390 | 414 | 437 |
| WSP36 | 454 | 482 | 509 |
| WSP42 | 480 | 509 | 539 |

- Cabinet is 6" wide

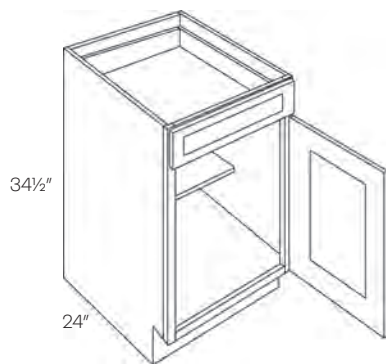
Microwave Cabinet



| | | | |
|--------|-----|-----|-----|
| MW3018 | 440 | 440 | 440 |
|--------|-----|-----|-----|

- Finished interior
- Opening 27" W X 14 1/4" H

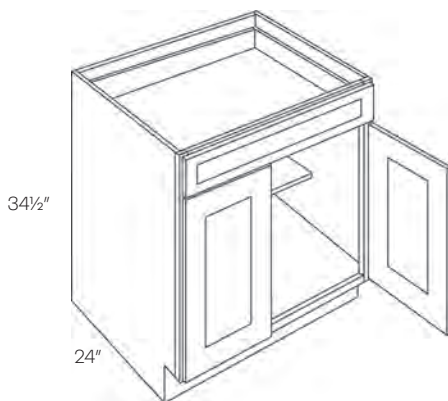
Single Door & Drawer Base Cabinet



| Item Number | A | B | C |
|-------------|-----|-----|-----|
| B9 | 489 | 519 | 548 |
| B12 | 551 | 585 | 618 |
| B15 | 575 | 610 | 644 |
| B18 | 606 | 642 | 679 |
| B21 | 680 | 721 | 761 |

• Full height doors are available add 20%

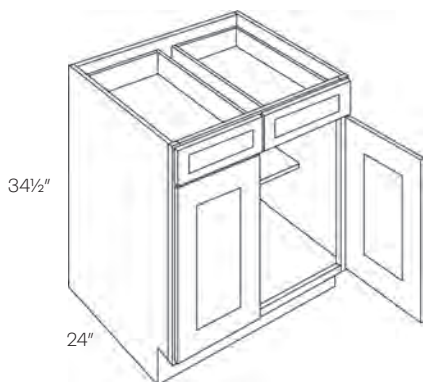
Single Drawer Double Door Base Cabinet



| | | | |
|------------|-----|-----|-----|
| B24 | 732 | 776 | 820 |
| B27 | 801 | 849 | 897 |

• Full height doors are available add 20%

Double Drawer & Door Base Cabinet



| | | | |
|------------|------|------|------|
| B30 | 909 | 964 | 1018 |
| B33 | 965 | 1024 | 1081 |
| B36 | 1008 | 1068 | 1129 |
| B39 | 1064 | 1129 | 1193 |
| B42 | 1125 | 1193 | 1261 |

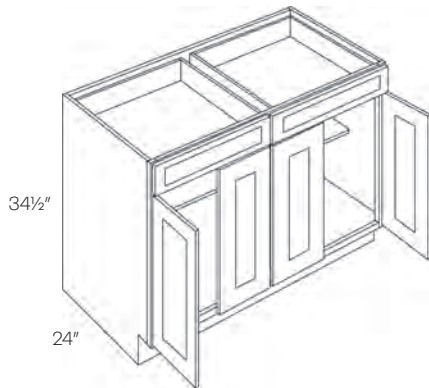
• Full height doors are available add 20%

| Item Number | A | B | C |
|-------------|---|---|---|
|-------------|---|---|---|

Double Drawer & 4 Door Base Cabinet

| | | | |
|------------|------|------|------|
| B48 | 1246 | 1321 | 1397 |
|------------|------|------|------|

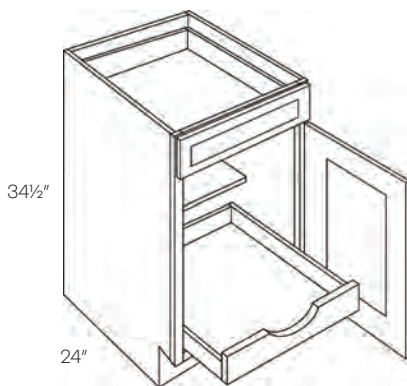
- Full height doors are available add 20%



Single Door & Drawer Base Cabinet W/ 1 POS

| | | | |
|-----------------|-----|------|------|
| B12-POS1 | 805 | 854 | 902 |
| B15-POS1 | 836 | 887 | 937 |
| B18-POS1 | 886 | 939 | 992 |
| B21-POS1 | 970 | 1029 | 1087 |

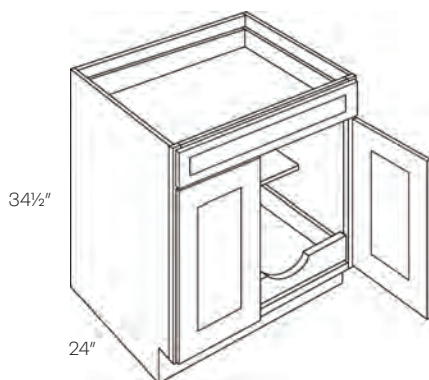
- Full height doors are available add 20%
- Ball bearing soft close glides for POS



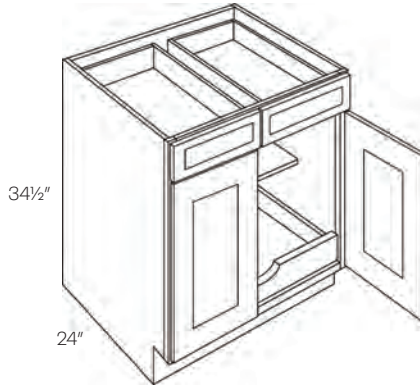
Single Drawer Double Door Base Cabinet W/1 POS

| | | | |
|-----------------|------|------|------|
| B24-POS1 | 1048 | 1111 | 1174 |
| B27-POS1 | 1126 | 1194 | 1262 |

- Full height doors are available add 20%
- Ball bearing soft close glides for POS



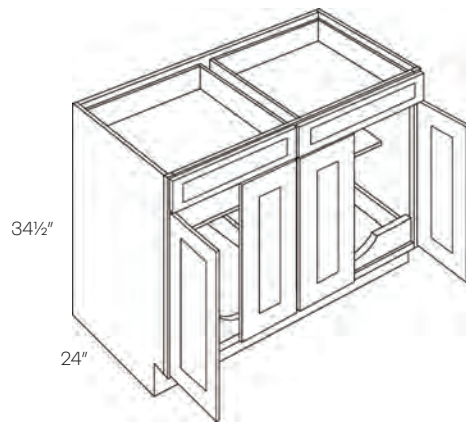
Double Drawer & Door Base Cabinet W/1 POS



| Item Number | A | B | C |
|-----------------|------|------|------|
| B30-POS1 | 1245 | 1320 | 1395 |
| B33-POS1 | 1312 | 1391 | 1470 |
| B36-POS1 | 1373 | 1455 | 1538 |
| B42-POS1 | 1619 | 1716 | 1814 |

- Full height doors are available add 20%
- Ball bearing soft close glides for POS

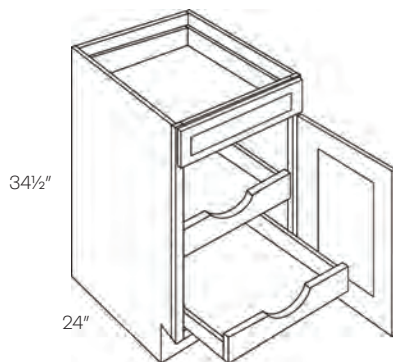
Double Drawer & 4 Door Base Cabinet W/2 POS



| | | | |
|-----------------------------|------|------|------|
| B48-POS2 (Has 2 POS) | 1791 | 1898 | 2006 |
|-----------------------------|------|------|------|

- Full height doors are available add 20%
- Ball bearing soft close glides for POS

Single Door & Drawer Base Cabinet W/ 2 POS



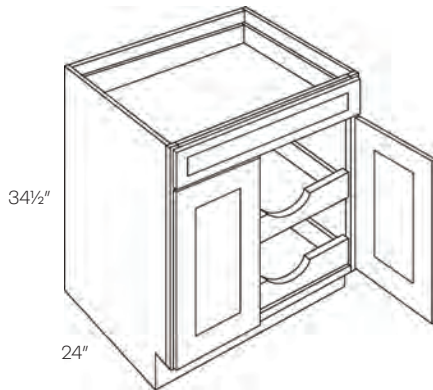
| | | | |
|-----------------|------|------|------|
| B12-POS2 | 972 | 1031 | 1089 |
| B15-POS2 | 1011 | 1073 | 1133 |
| B18-POS2 | 1079 | 1144 | 1209 |
| B21-POS2 | 1174 | 1245 | 1315 |

- Full height doors are available add 20%
- Ball bearing soft close glides for POS

| Item Number | A | B | C |
|-------------|---|---|---|
|-------------|---|---|---|

Single Drawer Double Door Base Cabinet W/2 POS

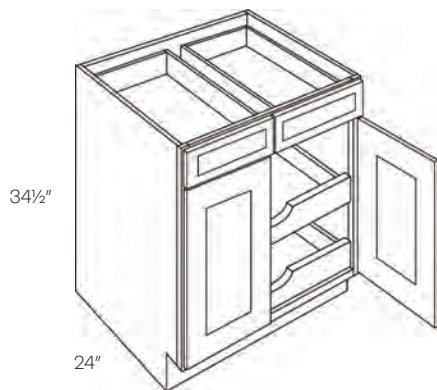
| | | | |
|-----------------|------|------|------|
| B24-POS2 | 1276 | 1354 | 1430 |
| B27-POS2 | 1364 | 1447 | 1528 |



- Full height doors are available add 20%
- Ball bearing soft close glides for POS

Double Drawer & Door Base Cabinet W/2 POS

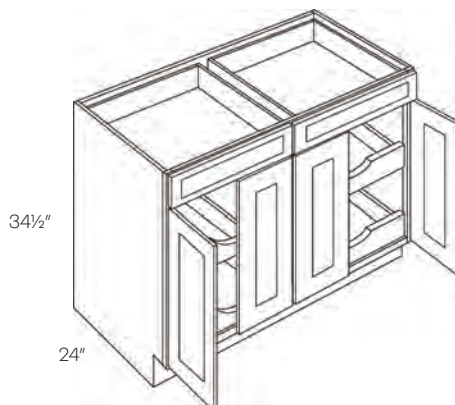
| | | | |
|-----------------|------|------|------|
| B30-POS2 | 1495 | 1585 | 1675 |
| B33-POS2 | 1572 | 1667 | 1761 |
| B36-POS2 | 1651 | 1750 | 1849 |
| B42-POS2 | 2113 | 2241 | 2367 |



- Full height doors are available add 20%
- Ball bearing soft close glides for POS

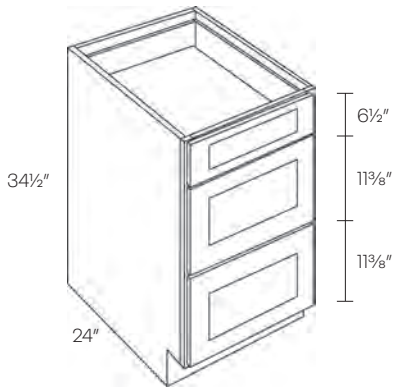
Double Drawer & 4 Door Base Cabinet W/4 POS

| | | | |
|-----------------------------|------|------|------|
| B48-POS4 (Has 4 POS) | 2335 | 2476 | 2616 |
|-----------------------------|------|------|------|



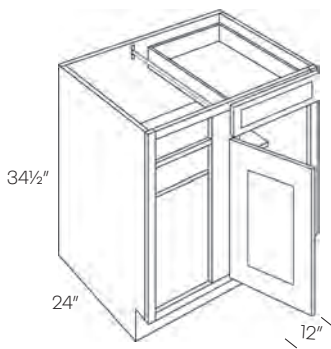
- Full height doors are available add 20%
- Ball bearing soft close glides for POS

3 Drawer Base Cabinet

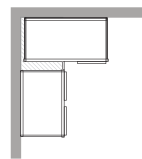


| Item Number | A | B | C |
|-------------|------|------|------|
| DB12 | 874 | 927 | 980 |
| DB15 | 910 | 965 | 1019 |
| DB18 | 934 | 990 | 1047 |
| DB21 | 964 | 1023 | 1080 |
| DB24 | 996 | 1057 | 1117 |
| DB27 | 1045 | 1108 | 1171 |
| DB30 | 1074 | 1139 | 1203 |
| DB33 | 1127 | 1195 | 1263 |
| DB36 | 1172 | 1243 | 1307 |

Blind Base Cabinet



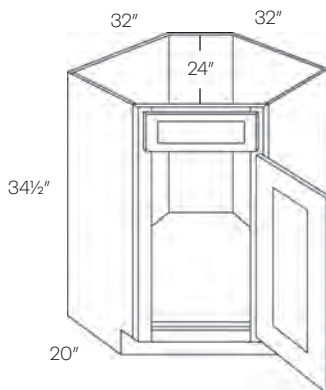
| | | | |
|----------|------|------|------|
| BLB36/39 | 956 | 1013 | 1071 |
| BLB39/42 | 982 | 1041 | 1100 |
| BLB42/45 | 1051 | 1114 | 1177 |
| BLB45/48 | 1143 | 1212 | 1281 |



| Cabinet | Act. | Max. | Door |
|----------|------|------|------|
| BLB36/39 | 27" | 39" | B9 |
| BLB39/42 | 33" | 42" | B12 |
| BLB42/45 | 39" | 45" | B15 |
| BLB45/48 | 45" | 48" | B18 |

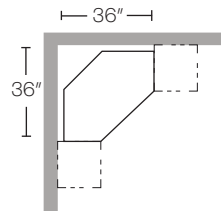
• Left blind shown

Diagonal Corner Sink Base Cabinet



| | | | |
|-------|------|------|------|
| CSB36 | 1349 | 1430 | 1511 |
|-------|------|------|------|

• Requires 36" X 36" wall space

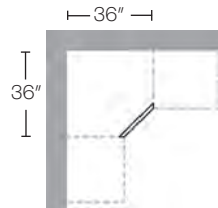


Diagonal Corner Sink Front

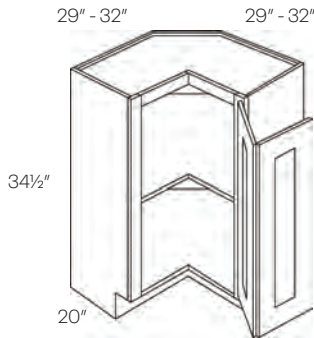


| Item Number | A | B | C |
|------------------------|-----|-----|-----|
| CSF36 | 385 | 409 | 432 |
| CSFFL36 (Floor) | 134 | 134 | 134 |

- Requires 36" X 36" wall space
- Requires a floor (sold separately)

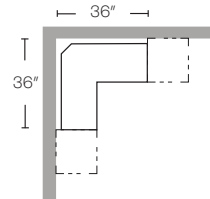


Easy Reach Corner Base Cabinet

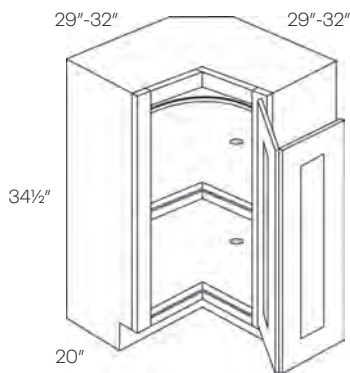


| | | | |
|----------------|------|------|------|
| BSQC33R | 1387 | 1471 | 1554 |
| BSQC33L | 1387 | 1471 | 1554 |
| BSQC36R | 1387 | 1471 | 1554 |
| BSQC36L | 1387 | 1471 | 1554 |

- Requires 33" X 33" / 36" X 36" wall space
- Pie is 9" X 9" / 12" X 12"

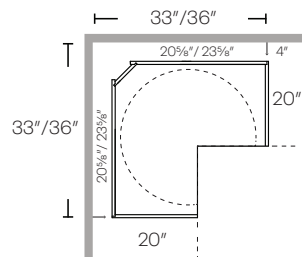


Lazy Susan Corner Base Cabinet



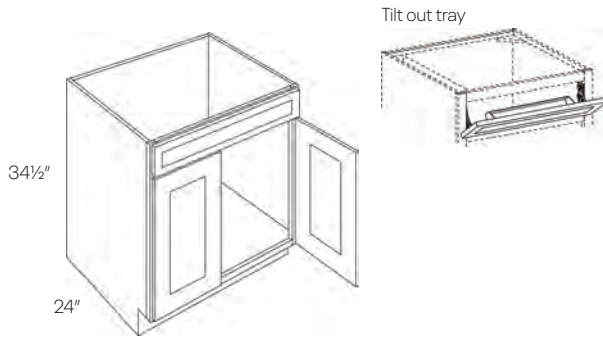
| | | | |
|---------------|------|------|------|
| CAR33R | 1795 | 1903 | 2011 |
| CAR33L | 1795 | 1903 | 2011 |
| CAR36R | 1795 | 1903 | 2011 |
| CAR36L | 1795 | 1903 | 2011 |

- Requires 33" X 33" / 36" X 36" wall space
- Pie is 9" X 9" / 12" X 12"
- Wooden Lazy Susan



| Item Number | A | B | C |
|-------------|---|---|---|
|-------------|---|---|---|

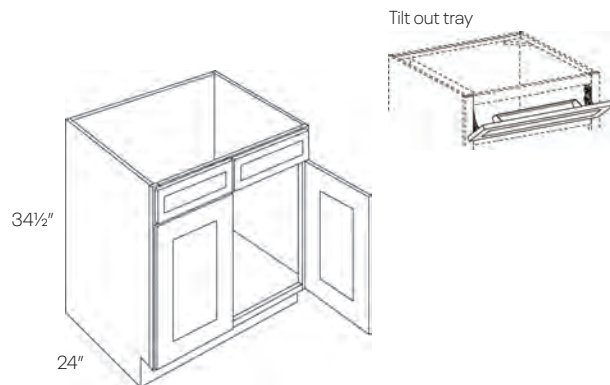
Single Drawer Front 2 Door Sink Base Cabinet



| | | | |
|-------------|-----|-----|-----|
| SB24 | 675 | 715 | 756 |
| SB27 | 729 | 773 | 817 |
| TOT* | 221 | 221 | 221 |

* Factory Installed
* Tilt out tray is 11¼"

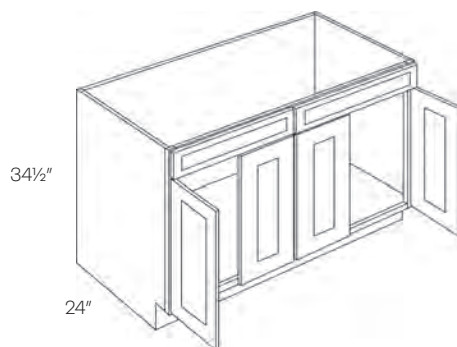
Double Drawer Front 2 Door Sink Base Cabinet



| | | | |
|-------------|-----|-----|------|
| SB30 | 771 | 818 | 864 |
| SB33 | 824 | 874 | 923 |
| SB36 | 833 | 884 | 934 |
| SB39 | 889 | 942 | 995 |
| SB42 | 910 | 965 | 1019 |
| TOT* | 221 | 221 | 221 |

*Factory Installed
*Cabinets include two 11¼" tilt out trays

Double Drawer Front 4 Door Sink Base Cabinet

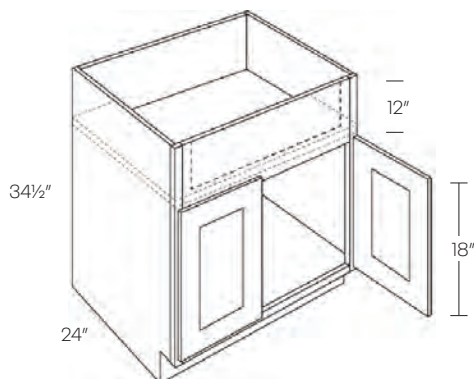


| | | | |
|-------------|------|------|------|
| SB48 | 1018 | 1080 | 1141 |
|-------------|------|------|------|

| Item Number | A | B | C |
|-------------|---|---|---|
|-------------|---|---|---|

Double Door Farm Sink Base Cabinet

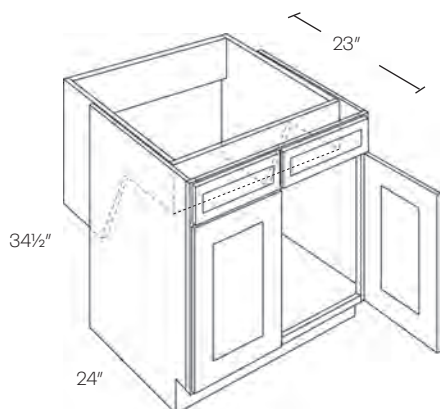
| | | | |
|----------------|-----|-----|-----|
| SB30-FS | 821 | 868 | 914 |
| SB33-FS | 874 | 924 | 973 |
| SB36-FS | 883 | 934 | 984 |



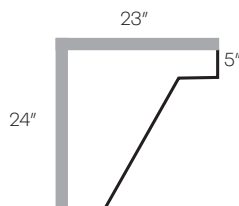
- Max trimmable 27"/30"/33" X 10"
- Trimming to be done in field
- Has a fixed platform

Double Door Handicap Removable Sink Base Cabinet

| | | | |
|----------------|------|------|------|
| SB30-HR | 1155 | 1225 | 1294 |
| SB33-HR | 1205 | 1279 | 1351 |
| SB36-HR | 1254 | 1330 | 1405 |

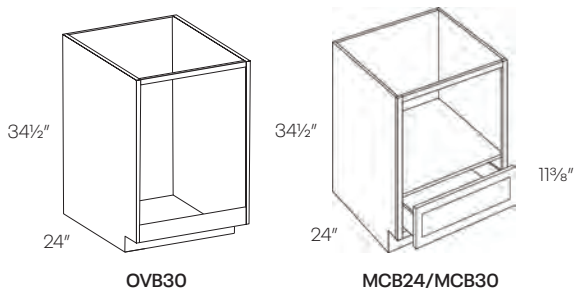


* Factory Installed



Oven Base & Microwave Base Cabinet

| | | | |
|--------------|------|------|------|
| OVB30 | 591 | 626 | 662 |
| MCB24 | 996 | 1057 | 1117 |
| MCB30 | 1074 | 1139 | 1203 |

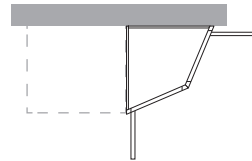
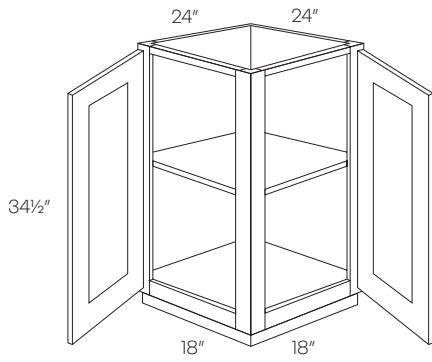


- OV front opening is 27"x27"
- MC front opening is 21"x16" / 27"x16"
- Interior has natural wood finish

| Item Number | A | B | C |
|-------------|---|---|---|
|-------------|---|---|---|

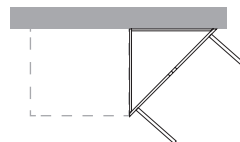
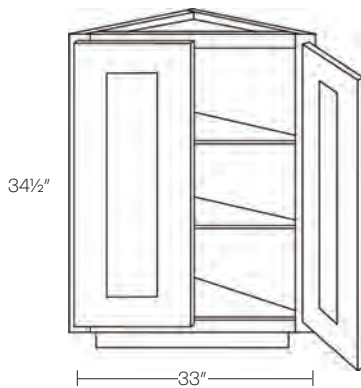
Base End Cabinet

| | | | |
|---------------|-----|-----|-----|
| BECS24 | 681 | 723 | 763 |
|---------------|-----|-----|-----|



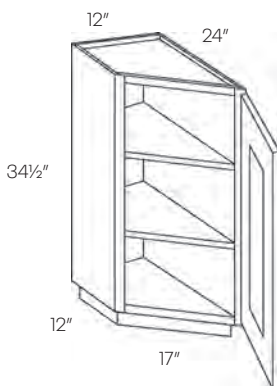
Straight Base End Cabinet

| | | | |
|---------------|-----|-----|-----|
| BECS24 | 681 | 723 | 763 |
|---------------|-----|-----|-----|

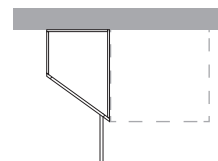


Angle Base End Cabinet

| | | | |
|----------------|-----|-----|-----|
| BTC2412 | 552 | 585 | 619 |
|----------------|-----|-----|-----|



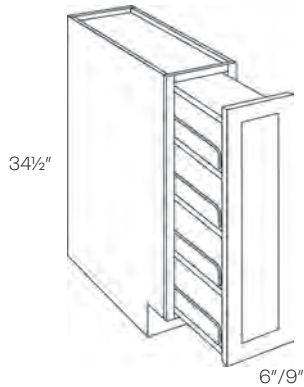
- Reversible
- Loose toe kick
- Hinged on 24"



| Item Number | A | B | C |
|-------------|---|---|---|
|-------------|---|---|---|

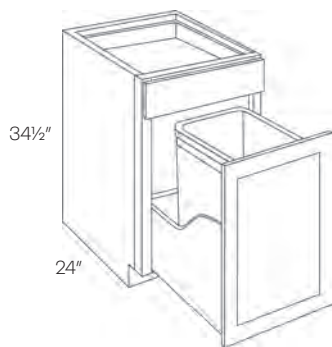
Base Spice Cabinet

| | | | |
|-------------|-----|-----|------|
| BSP6 | 458 | 486 | 514 |
| BSP9 | 934 | 990 | 1047 |

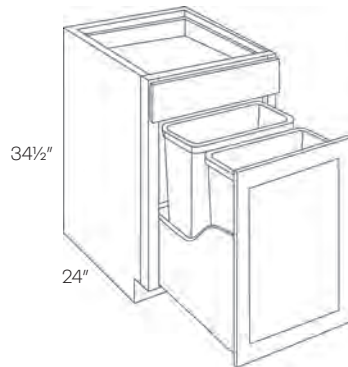


Waste Basket Cabinet

| | | | |
|-----------------------------------|-----|------|------|
| BWBK15 (Single basket) | 935 | 991 | 1048 |
| BWBK18 (Double basket) | 990 | 1050 | 1109 |



BWBK15



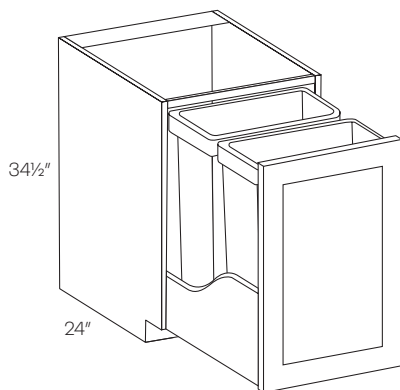
BWBK18

- Includes 35qt. waste basket (BK18 gets 2)
- Available in full height at 20% up-charge

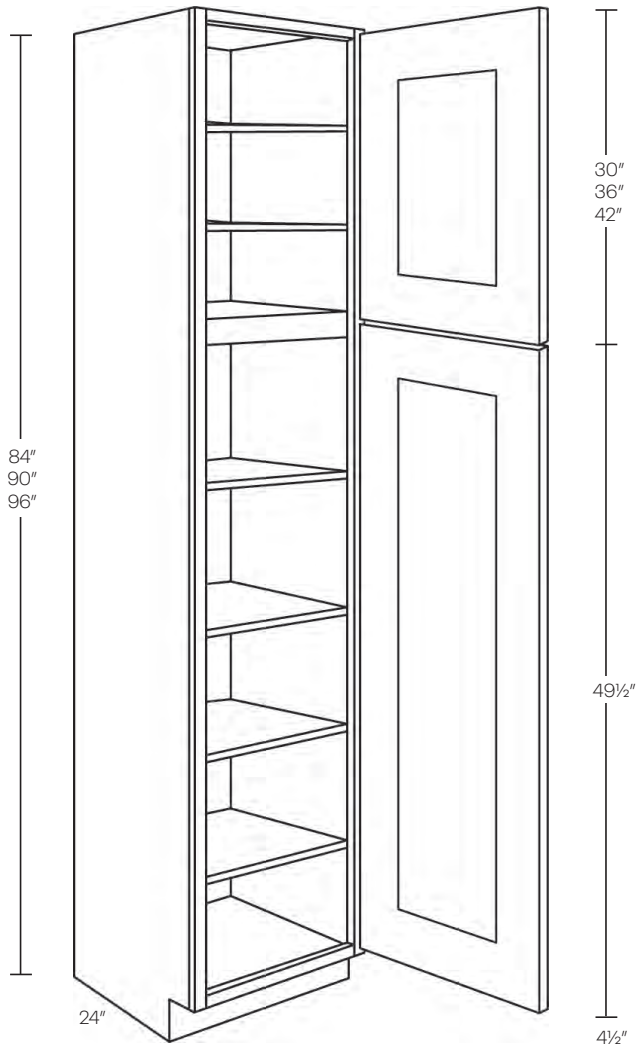
Full Height Waste Basket Cabinet

| | | | |
|------------------|------|------|------|
| BWBK21-FH | 1211 | 1284 | 1356 |
|------------------|------|------|------|

- Includes two 50qt. waste baskets



Single Door Utility Cabinet

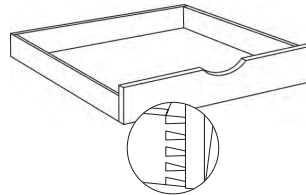


| Item Number | A | B | C |
|--------------------------------|------|------|------|
| UC1524X84 | 1656 | 1756 | 1855 |
| UC1524X90 | 1823 | 1933 | 2042 |
| UC1524X96* | 2005 | 2126 | 2246 |
| UC1824X84 | 1745 | 1850 | 1955 |
| UC1824X90 | 1919 | 2035 | 2150 |
| UC1824X96* | 2111 | 2239 | 2365 |
| POS15-3 (factory installed) | 697 | 697 | 697 |
| POS15-4 (factory installed) | 871 | 871 | 871 |
| POS18-3 (factory installed) | 753 | 753 | 753 |
| POS18-4 (factory installed) | 946 | 946 | 946 |

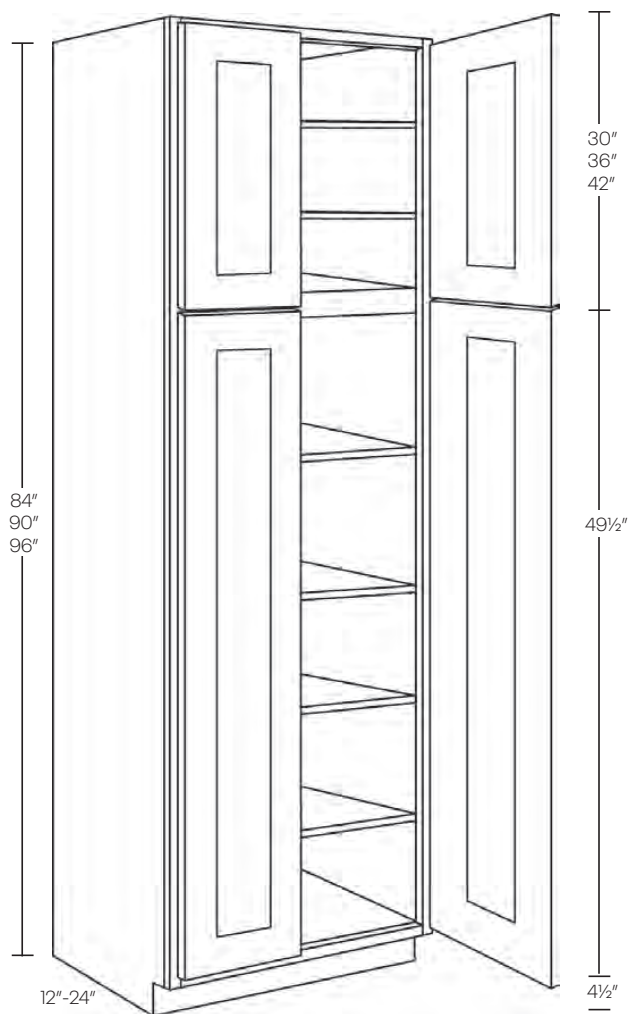
- POS price is addition to cabinet list price
- POS uses dovetail construction
- 4 bottom adjustable shelves

*84" and 90" have 2 upper shelves
 *96" has 3 upper shelves

Pull Out Shelf



Double Door Utility Cabinet

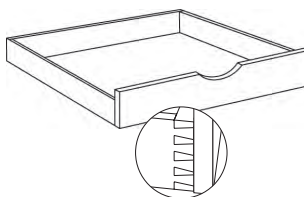


| Item Number | A | B | C |
|--------------------------------|------|------|------|
| UC2412X84 | 1798 | 1907 | 2014 |
| UC2412X90 | 1978 | 2097 | 2216 |
| UC2412X96* | 2175 | 2306 | 2436 |
| UC2424X84 | 2038 | 2161 | 2283 |
| UC2424X90 | 2243 | 2378 | 2513 |
| UC2424X96* | 2467 | 2615 | 2763 |
| UC3024X84 | 2242 | 2377 | 2512 |
| UC3024X90 | 2468 | 2616 | 2765 |
| UC3024X96* | 2712 | 2875 | 3038 |
| POS24-3 (factory installed) | 860 | 860 | 860 |
| POS24-4 (factory installed) | 1089 | 1089 | 1089 |
| POS30-3 (factory installed) | 923 | 923 | 923 |
| POS30-4 (factory installed) | 1173 | 1173 | 1173 |

- POS price is addition to cabinet list price
- POS uses dovetail construction
- 4 bottom adjustable shelves
- POS only available in 24" deep

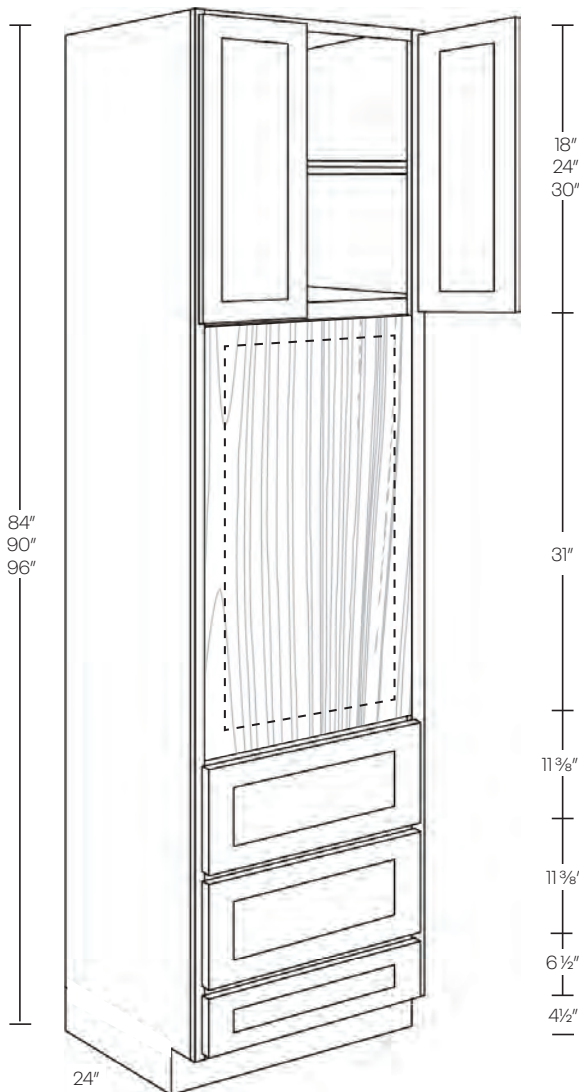
*84" and 90" have 2 upper shelves
 *96" has 3 upper shelves

Pull Out Shelf



| Item Number | A | B | C |
|-------------|---|---|---|
|-------------|---|---|---|

Double Door Oven Cabinet

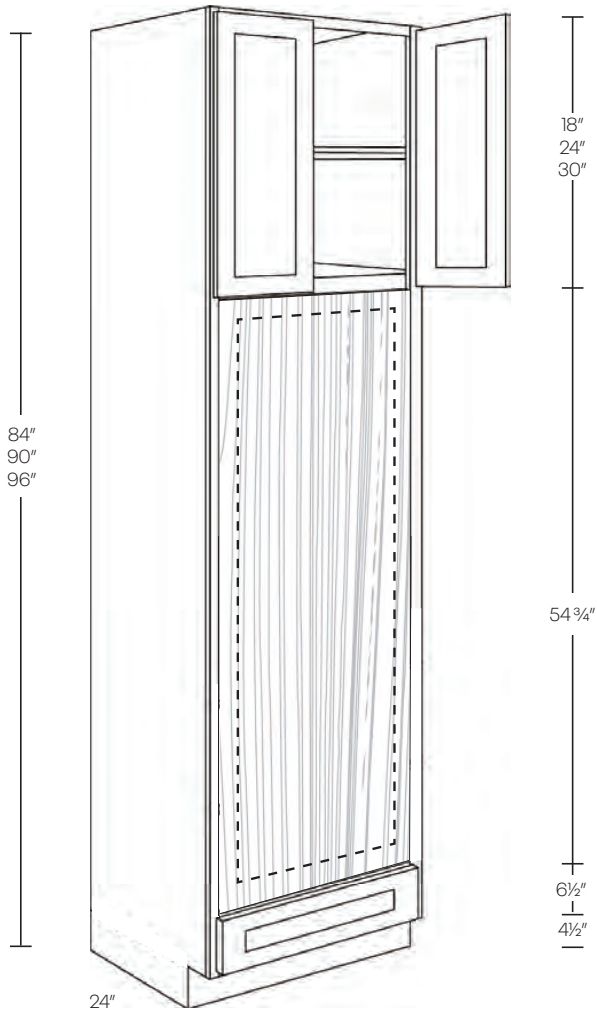


| | | | |
|-----------------|------|------|------|
| OV3084 | 2084 | 2210 | 2335 |
| OV3090 | 2214 | 2348 | 2480 |
| OV3096* | 2342 | 2483 | 2623 |
| OV3384 | 2168 | 2298 | 2428 |
| OV3390 | 2302 | 2441 | 2579 |
| OV3396** | 2435 | 2582 | 2728 |

- Trimming to be done in field
- 84" ad 90" has 1 upper shelves
- 96" has 2 upper shelves
- Remove drawers and floor as needed
- Center panel included

*27" wide opening on 30"
 **30" wide opening on 33"

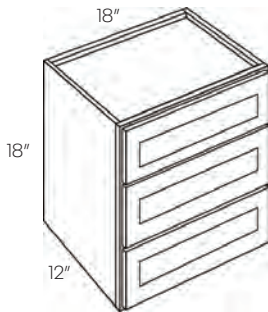
Double Oven Cabinet



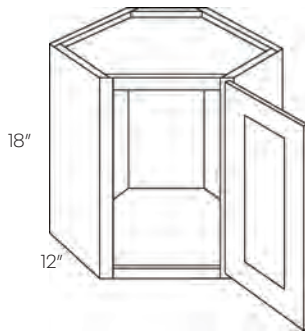
| Item Number | A | B | C |
|-----------------|------|------|------|
| OVD3084 | 2084 | 2210 | 2335 |
| OVD3090 | 2214 | 2348 | 2480 |
| OVD3096* | 2342 | 2483 | 2623 |
| OVD3384 | 2168 | 2298 | 2428 |
| OVD3390 | 2302 | 2441 | 2579 |
| OVD3396* | 2435 | 2582 | 2728 |

- Trimming to be done in field
- 84" ad 90" has 1 upper shelves
- 96" has 2 upper shelves
- Center panel included

Top Of Counter Cabinet



WD1818

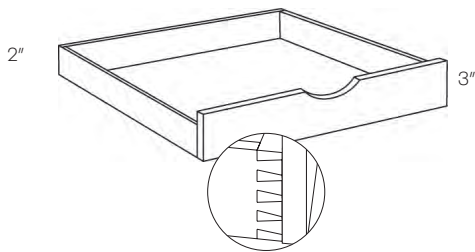


WDC2418

| Item Number | A | B | C |
|-------------|-----|-----|-----|
| WD1818 | 423 | 449 | 474 |
| WDC2418 | 429 | 455 | 481 |

• WDC2418 fits under CW24

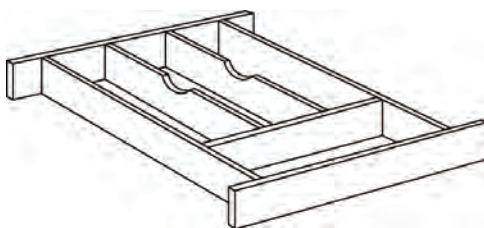
Pull Out Shelf



| | | | |
|-------|-----|-----|-----|
| POS12 | 171 | 171 | 171 |
| POS15 | 179 | 179 | 179 |
| POS18 | 198 | 198 | 198 |
| POS21 | 208 | 208 | 208 |
| POS24 | 235 | 235 | 235 |
| POS27 | 244 | 244 | 244 |
| POS30 | 255 | 255 | 255 |
| POS33 | 266 | 266 | 266 |
| POS36 | 285 | 285 | 285 |
| POS42 | 299 | 299 | 299 |

- Ball bearing soft-close glides included
- POS uses dovetail construction
- Natural finish

Wooden Cutlery Divider

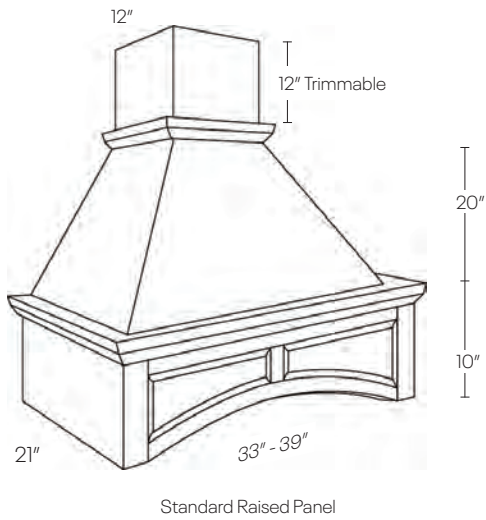


| | | | |
|------------|-----|-----|-----|
| WCD-B12 | 184 | 184 | 184 |
| WCD-B15-30 | 203 | 203 | 203 |
| WCD-B18-36 | 203 | 203 | 203 |
| WCD-B21-42 | 203 | 203 | 203 |
| WCD-B24-48 | 221 | 221 | 221 |
| WCD-B27 | 221 | 221 | 221 |
| WCD-B33* | 196 | 196 | 196 |
| WCD-B39* | 196 | 196 | 196 |
| WCD-DB30 | 221 | 221 | 221 |
| WCD-DB33* | 404 | 404 | 404 |
| WCD-DB36* | 404 | 404 | 404 |

- To be trimmed on site
- * Need to buy 2 pieces

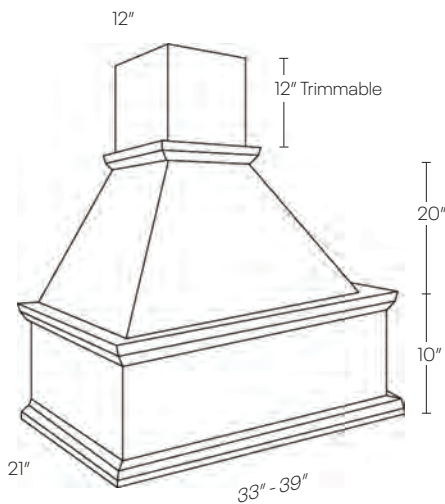
| Item Number | A | B | C |
|-----------------|------|------|------|
| WHA30/33 | 3375 | 3375 | 3375 |
| WHA36/39 | 3625 | 3625 | 3625 |

Arched Wood Hood



• Inside dimensions all 18" deep by 27½" - 33½"

Straight Wood Hood

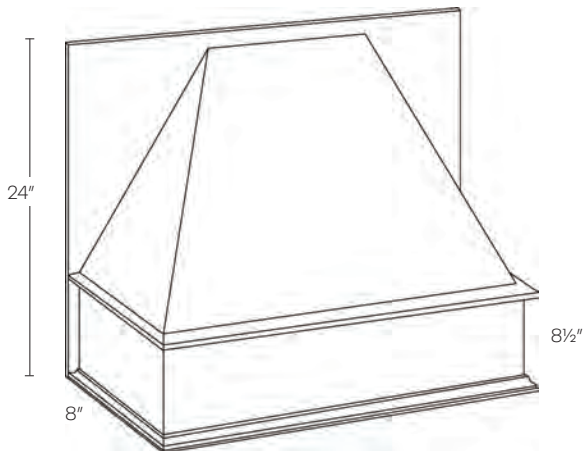


| | | | |
|-----------------|------|------|------|
| WHP30/33 | 3375 | 3375 | 3375 |
| WHP36/39 | 3625 | 3625 | 3625 |

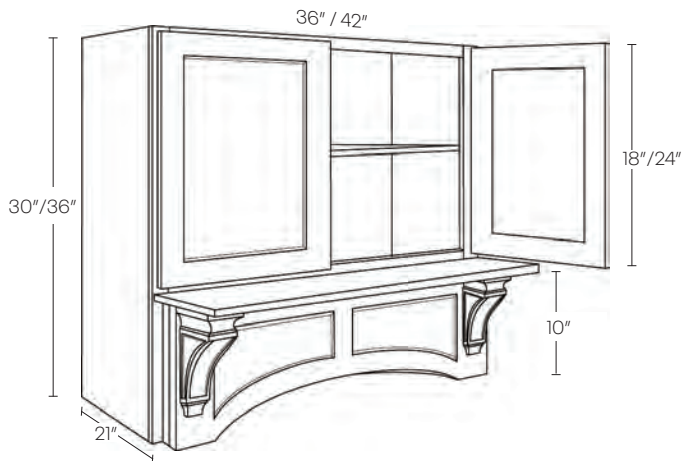
• Inside dimensions all 18" deep by 27½" - 33½"

| Item Number | A | B | C |
|--------------|------|------|------|
| WHV30 | 1109 | 1109 | 1109 |
| WHV36 | 1312 | 1312 | 1312 |

Valance Wood Hood



Wood Hood Arched



| | | | |
|---------------------|------|------|------|
| WHACC3630X21 | 3773 | 3773 | 3773 |
| WHACC4230X21 | 3887 | 3887 | 3887 |
| WHACC3636X21 | 4073 | 4073 | 4073 |
| WHACC4236X21 | 4187 | 4187 | 4187 |

Inside dimensions are 20 1/4" deep by 34 1/4" / 40 1/4" / 46 1/4"

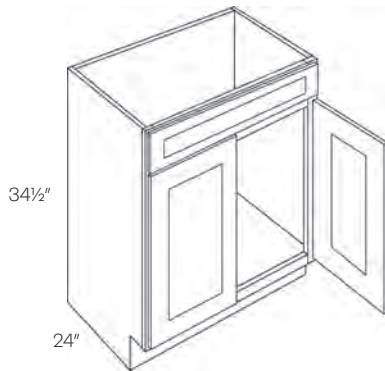


WHACC

| Item Number | A | B | C |
|-------------|---|---|---|
|-------------|---|---|---|

Double Door Vanity Sink Base Cabinet

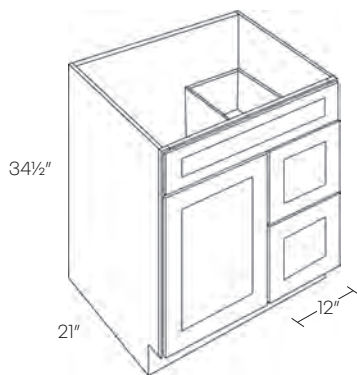
| | | | |
|-------|-----|-----|-----|
| V2421 | 623 | 661 | 699 |
| V3021 | 707 | 750 | 793 |
| V3621 | 782 | 829 | 876 |



1 Door 2 Drawer Vanity Sink Base Cabinet

| | | | |
|----------------|-----|------|------|
| V3021D - Left | 996 | 1057 | 1117 |
| V3021D - Right | 996 | 1057 | 1117 |

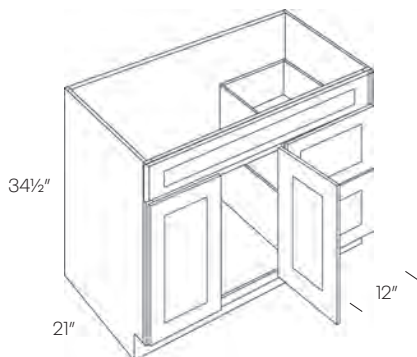
• Right Drawer Shown



2 Door 2 Drawer Vanity Sink Base Cabinet

| | | | |
|----------------|------|------|------|
| V3621D - Left | 1023 | 1084 | 1146 |
| V3621D - Right | 1023 | 1084 | 1146 |
| V4221D - Left | 1145 | 1214 | 1283 |
| V4221D - Right | 1145 | 1214 | 1283 |

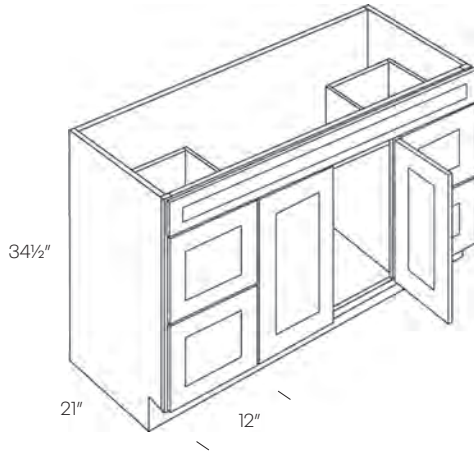
• Right Drawer Shown



| Item Number | A | B | C |
|-------------|---|---|---|
|-------------|---|---|---|

Double Door & Drawer Vanity Sink Base Cabinet

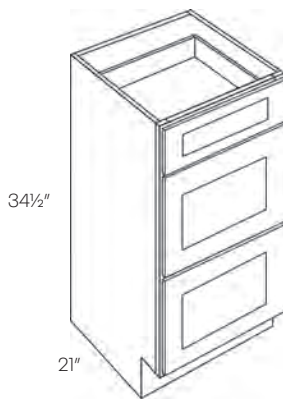
| | | | |
|----------------|------|------|------|
| V4821DD | 1186 | 1258 | 1329 |
|----------------|------|------|------|



Vanity Drawer Base Cabinet

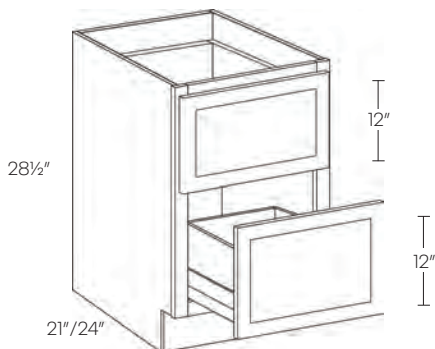
| | | | |
|--------------|-----|-----|-----|
| VDB12 | 788 | 816 | 894 |
| VDB15 | 822 | 872 | 921 |
| VDB18 | 841 | 892 | 942 |
| VDB21 | 925 | N/A | N/A |
| VDB24 | 957 | N/A | N/A |

• VDB21 and VDB24 only available in EB10



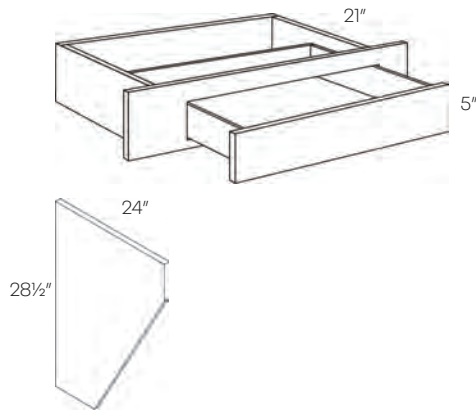
Desk Cabinet

| | | | |
|-----------------|-----|-----|------|
| DDC18-21 | 841 | 892 | 942 |
| DDC18-24 | 934 | 990 | 1050 |



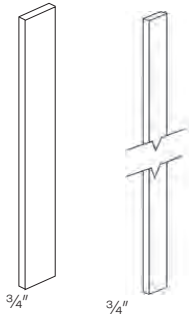
| Item Number | A | B | C |
|-------------|-----|-----|-----|
| DD30 | 276 | 276 | 276 |
| DS | 176 | 176 | 176 |

Desk Drawer



• 2-1/2" Trimmable sides

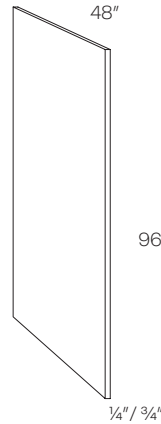
| | Item Number | A | B | C |
|---------------|-------------|-----|-----|-----|
| Filler | F330 | 44 | 44 | 44 |
| | F630 | 76 | 76 | 76 |
| | F342 | 58 | 58 | 58 |
| | F642 | 104 | 104 | 104 |
| | F396 | 138 | 138 | 138 |
| | F696 | 230 | 230 | 230 |



F330/F630/
F342/F642 F396/F696

• Fillers finished on all 4 sides

| | Item Number | A | B | C |
|----------------------|--------------------|------|------|------|
| Plywood Panel | PLY4x8 | 356 | 356 | 356 |
| | PLY4x8-3/4* | 1150 | 1150 | 1150 |



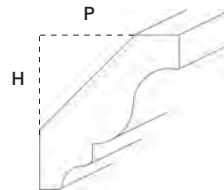
* Special order

| | Item Number | A | B | C |
|--------------------------------|-------------|-----|-----|-----|
| Dishwasher Return Panel | DWR3 | 236 | 236 | 236 |

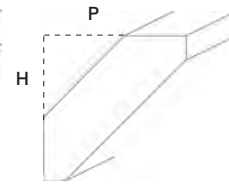


| | Item Number | A | B | C |
|-----------------------|-------------|-----|-----|-----|
| Crown Moldings | CRM | 122 | 122 | 122 |
| | CRMS | 122 | 122 | 122 |

• 8 Feet long

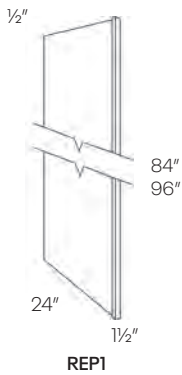


CRM
Height: 2"
Projection: 2"



CRMS
Height: 2"
Projection: 2"

| | Item Number | A | B | C |
|-------------------------------|---------------|-----|-----|-----|
| Refrigerator End Panel | REP196 | 450 | 450 | 450 |
| | REP384 | 408 | 408 | 408 |
| | REP390 | 429 | 429 | 429 |
| | REP396 | 450 | 450 | 450 |
| | UREP24 | 313 | 313 | 313 |
| | UREP30 | 417 | 417 | 417 |



REP1

• Edgebanded on one side



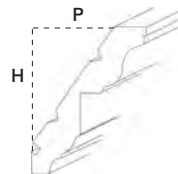
REP3



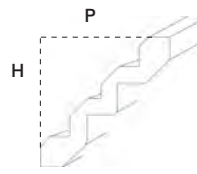
UREP

| | Item Number | A | B | C |
|----------------------------|--------------|-----|-----|-----|
| Royal Crown Molding | RCRM | 345 | 345 | 345 |
| | RCRMS | 345 | 345 | 345 |
| | RCRMC | 345 | 345 | 345 |

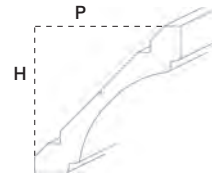
• 8 Feet long



RCRM
Height: 3 1/2"
Projection: 2 1/2"



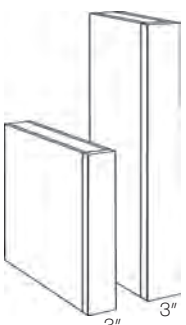
RCRMS
Height: 3 1/8"
Projection: 3 1/8"



RCRMC
Height: 3 1/8"
Projection: 3 1/8"

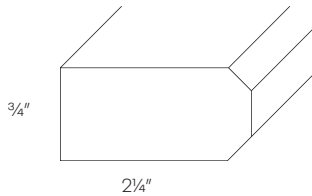
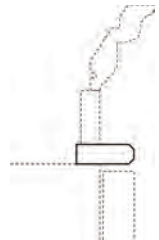
| | Item Number | A | B | C |
|---------------|-----------------------------------|-----|-----|-----|
| Column | CLM-B30 (34½"H X 30"D) | 391 | 391 | 391 |
| | CLM-30X15 (30"H X 15"D) | 198 | 198 | 198 |
| | CLM-36X15 (36"H X 15"D) | 221 | 221 | 221 |
| | CLM-42X15 (42"H X 15"D) | 245 | 245 | 245 |

• Trimmable
• Finished 3 sides



| | Item Number | A | B | C |
|---------------------|-------------|-----|-----|-----|
| Trim Molding | TBMS | 112 | 112 | 112 |

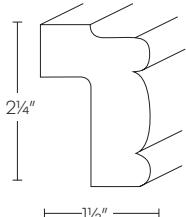
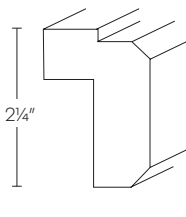
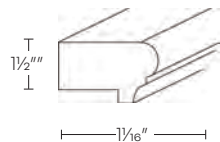
• 8 Feet long

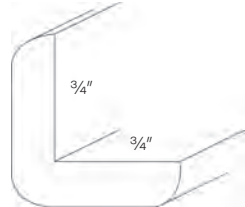
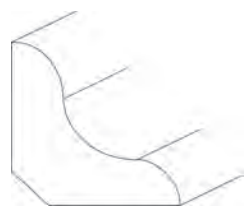
*Suggested use

| | Item Number | A | B | C |
|---------------------------|--------------|-----|-----|-----|
| Light Rail Molding | LTRM | 238 | 238 | 238 |
| | LTRMS | 238 | 238 | 238 |
| | LTRMI | 179 | 179 | 179 |

• 8 Feet long

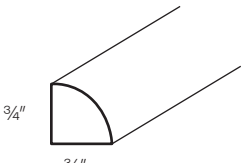




| | Item Number | A | B | C |
|-----------------------|-------------|----|----|----|
| Corner Molding | OCM | 92 | 92 | 92 |
| | ICM | 92 | 92 | 92 |

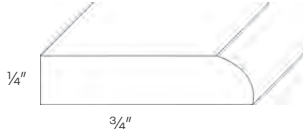
| | Item Number | A | B | C |
|---------------------|-------------|-----|-----|-----|
| Shoe Molding | SHM | 103 | 103 | 103 |

• 8 Feet long



| | Item Number | A | B | C |
|-----------------------|-------------|----|----|----|
| Scribe Molding | SCM | 74 | 74 | 74 |

• 8 Feet long

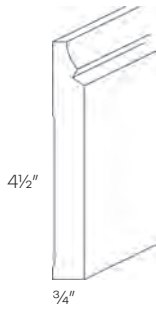


| Item Number | A | B | C |
|-------------|---|---|---|
|-------------|---|---|---|

Base Molding

| BSMS | 245 | 245 | 245 |
|------|-----|-----|-----|
|------|-----|-----|-----|

• 8 Feet long



| Item Number | A | B | C |
|-------------|---|---|---|
|-------------|---|---|---|

Finished Skin

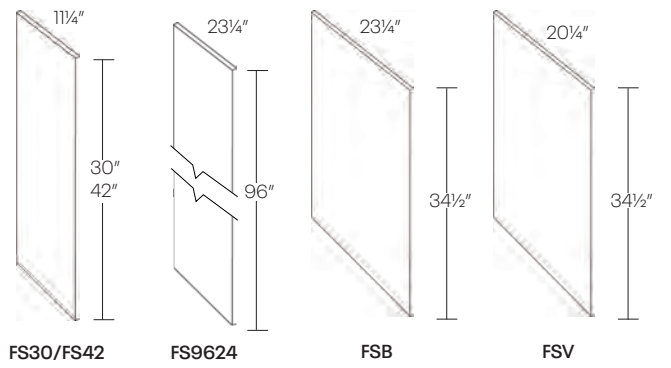
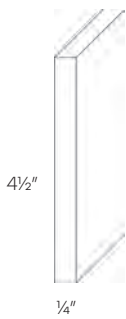
| FS30 | 92 | 92 | 92 |
|--------|-----|-----|-----|
| FS42 | 128 | 128 | 128 |
| FS9624 | 245 | 245 | 245 |
| FSB | 120 | 120 | 120 |
| FSV | 119 | 119 | 119 |

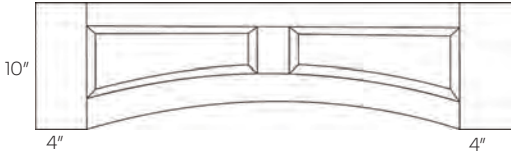

• 1/4" Thick

Toe Kick

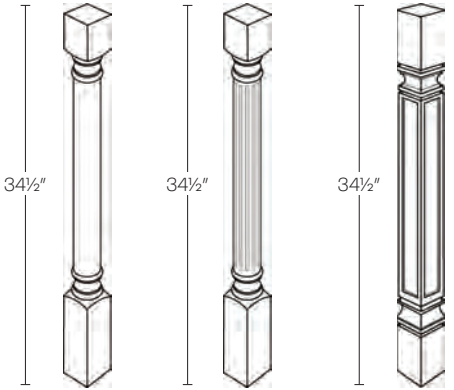
| TKS | 76 | 76 | 76 |
|-----|----|----|----|
|-----|----|----|----|

• 8 Feet long

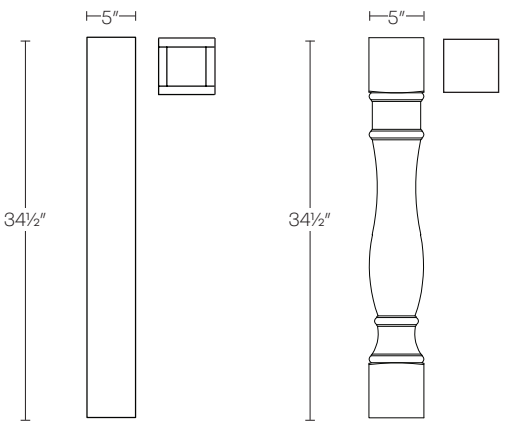


| | Item Number | A | B | C |
|---|-------------------|-----|-----|-----|
| Arched Valance | VALP-36 | 206 | 206 | 206 |
| | VALP-42 | 229 | 229 | 229 |
| | VALP-48 | 260 | 260 | 260 |
| | VALP-60 | 306 | 306 | 306 |
| | VALPR-36 | 206 | 206 | 206 |
| | VALPR-42 | 229 | 229 | 229 |
|  | VALPR-48 | 260 | 260 | 260 |
| | VALPR-60 | 306 | 306 | 306 |
| | VALP - Flat panel | | | |
|  | | | | |
| | | | | |
| | | | | |

• 2" Trimmable on both sides

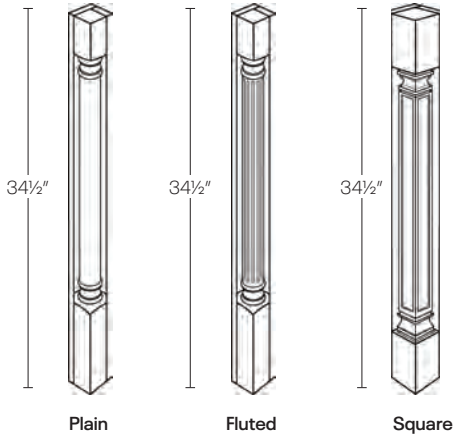
| | | | | |
|---|--------|-----|-----|-----|
| Post | POST-P | 300 | 300 | 300 |
| | POST-F | 300 | 300 | 300 |
| | POST-S | 300 | 300 | 300 |
|  | Plain | | | |
| | Fluted | | | |
| | Square | | | |

• 3" X 3"

| | | | | |
|---|---------|-----|-----|-----|
| Large Post | POST5-C | 422 | 422 | 422 |
| | POST5-R | 472 | 472 | 472 |
|  | | | | |
| | | | | |

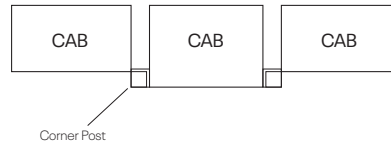
• 5" X 5"

Corner Post

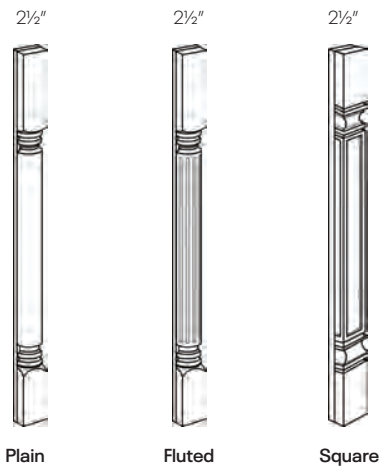


| Item Number | A | B | C |
|-------------|-----|-----|-----|
| POST-P-CR | 340 | 340 | 340 |
| POST-F-CR | 340 | 340 | 340 |
| POST-S-CR | 340 | 340 | 340 |

• 3" X 3"



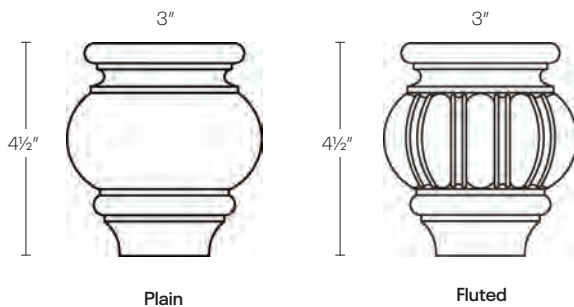
Spindle



| | | | |
|-----------|-----|-----|-----|
| SPIN-P-30 | 176 | 176 | 176 |
| SPIN-P-36 | 224 | 224 | 224 |
| SPIN-P-42 | 260 | 260 | 260 |
| SPIN-F-30 | 176 | 176 | 176 |
| SPIN-F-36 | 224 | 224 | 224 |
| SPIN-F-42 | 260 | 260 | 260 |
| SPIN-S-30 | 176 | 176 | 176 |
| SPIN-S-36 | 224 | 224 | 224 |
| SPIN-S-42 | 260 | 260 | 260 |

• To be applied on top of filler (not included)

Bun Feet



| | | | |
|-------|-----|-----|-----|
| BUN-P | 95 | 95 | 95 |
| BUN-F | 100 | 100 | 100 |

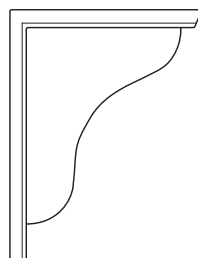
Corbel



CBO



CBM

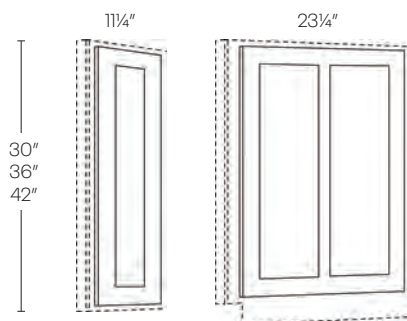


CBS

| Item Number | A | B | C |
|--------------|-----|-----|-----|
| CBO6 | 331 | 331 | 331 |
| CBO9 | 373 | 373 | 373 |
| CBO13 | 444 | 444 | 444 |
| CBM6 | 331 | 331 | 331 |
| CBM9 | 373 | 373 | 373 |
| CBS10 | 375 | 375 | 375 |
| CBM13 | 444 | 444 | 444 |

| | W | D | H |
|--------|---------------------------------|---------------------------------|-----|
| CB-6 | 3" | 3 ⁵ / ₈ " | 6" |
| CB-9 | 4 ³ / ₄ " | 3 ⁵ / ₈ " | 9" |
| CB-13 | 4 ³ / ₄ " | 6" | 13" |
| CBS-10 | 3" | 8" | 10" |

Decorative End



WDE12

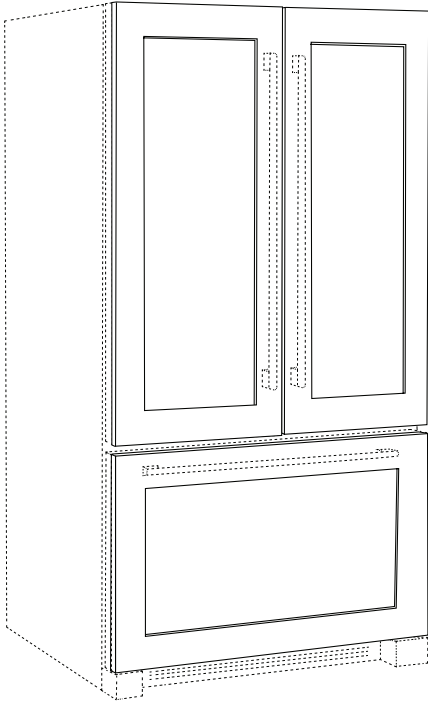
BDE24

| | | | |
|----------------|-----|-----|-----|
| WDE1230 | 151 | 160 | 170 |
| WDE1236 | 216 | 229 | 242 |
| WDE1242 | 253 | 269 | 285 |
| WDE1250 | 313 | 332 | 351 |
| BDE24 | 365 | 387 | 409 |

• Use finished skin to flush with frame

| | | | |
|-------------|---|---|---|
| Item Number | A | B | C |
|-------------|---|---|---|

Refrigerator Door

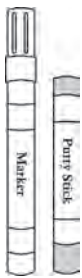


| | | | |
|--------------------------|----|----|----|
| Custom Decorative Panel* | -- | -- | -- |
|--------------------------|----|----|----|

- Customer must provide drawings and dimensions for custom price quote and lead time
- * Doors are made custom, please provide accurate drawings with your order

Touch Up Kit

| | | | |
|---------|-----|-----|-----|
| TUP | 78 | 78 | 78 |
| TUP-STN | 102 | 102 | 102 |



TUP

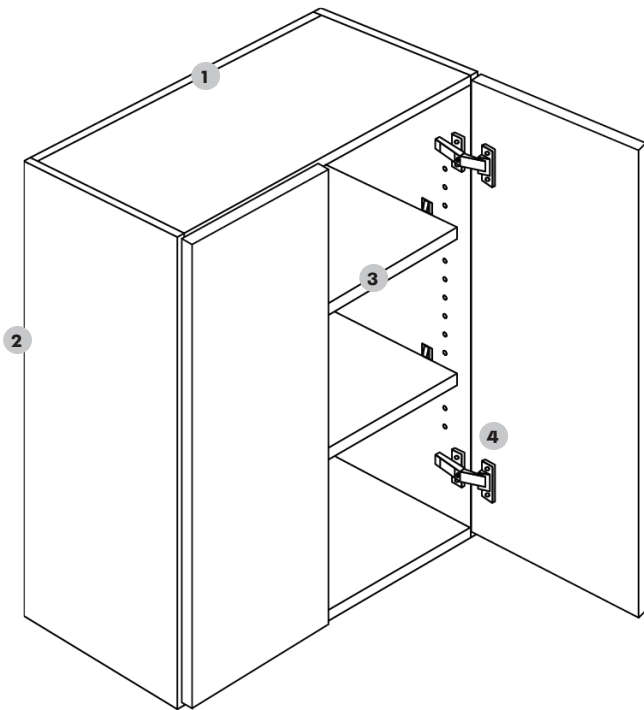


TUP-STN

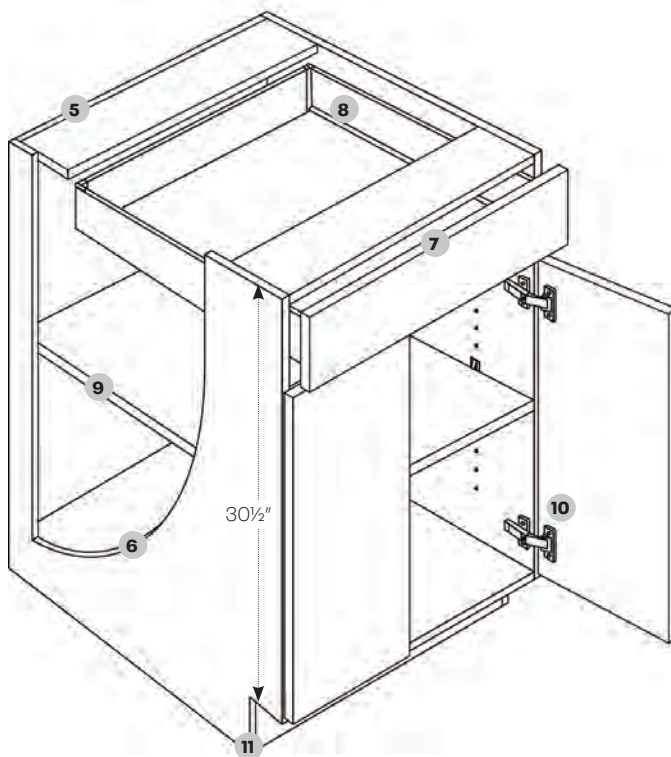
- TUP-STN is one pint available in all finishes

Cabinet & Door Information

Classic Collection



- 1 **Back panel** — 1/4" back panel with 3/4" x 4" supporting braces top and bottom, constructed with wood dowels glued and clamped for ensured security.
- 2 **End panel** — 3/4" thick, multi-core plywood sides Constructed with wood dowels glued and clamped for ensured security.
- 3 **Shelves** — 3/4" thick, plywood; fully adjustable
- 4 **Hinges** — Heavy duty steel concealed hinge, adjustable with soft-close mechanism



- 5 **Back panel** — 1/4" back panel with 3/4"x4" supporting braces top and bottom, constructed with wood dowels glued and clamped.
- 6 **End panel** — 3/4" thick, multi-core plywood sides Constructed with wood dowels glued and clamped.
- 7 **Drawers** — Double wall metal drawer with plywood bottom.
- 8 **Glides** — Full extension glides, with soft closing feature.
- 9 **Shelves** — 3/4" thick, full depth plywood; fully adjustable.
- 10 **Hinges** — Heavy duty steel concealed hinge, adjustable with soft-close mechanism
- 11 **Toe Kick** — 4" Toe kick with 3" inset on all standard base and vanity cabinets. White toe kick is standard.

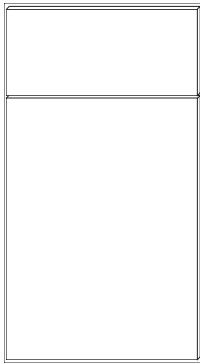
Cabinet boxes are white edge banded with white interior and exterior.

On diagonal and corner cabinets, matching edgebanding will be applied vertically

Classic cabinets are only available assembled.

Alvic doors come standard with Blum hinges

Milano



| Finish | Price Code | Species |
|-------------------|------------|--------------------|
| M14 - White Gloss | D | MDF/ Thermofoil |
| M15 - Slate Gloss | D | MDF/ Thermofoil |

A full overlay thermofoil high gloss finish MDF flat panel door.

- Exposed ends need finished sides (Factory Installed)

Matrix

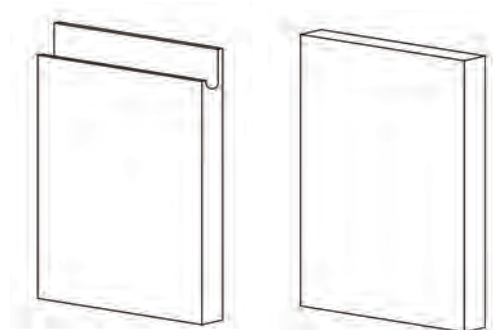


| Finish | Price Code | Species |
|-----------------|------------|----------------------|
| M18 - Silver | D | MDF / LP Laminate |
| M19 - Greystone | D | MDF / LP Laminate |

A full overlay low pressure laminate flat panel MDF door, with a deep textures finish.

- Exposed ends need finished sides (Factory Installed)

Alvic Doors



Finger-Pull

Slab

| Finish | Price Code |
|--------------|------------|
| Syncron | E |
| Luxe / Zenit | F |

- Finger-Pull is 25% Up-charged

Alvic doors come with a color matching soft postforming edge band. The finger pull doors are made 22mm thick and the slab doors are 18mm thick.

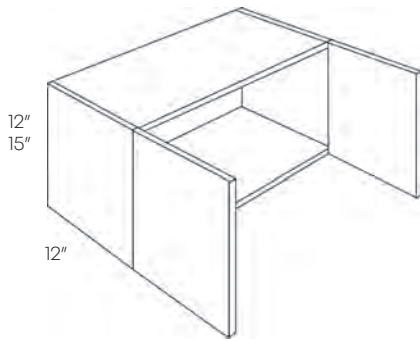
*Alvic Doors come standard equipped with Blum hinges

- Exposed ends need finished panels (Not Factory Installed)

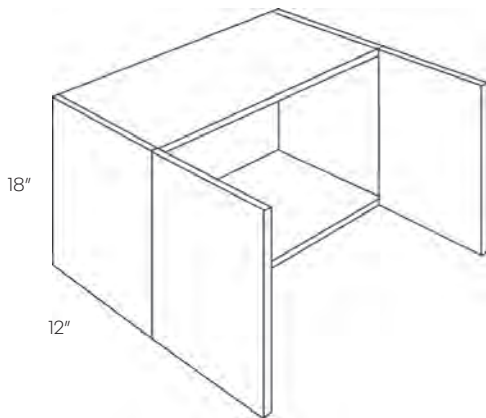
Specifications and Prices

Classic Collection

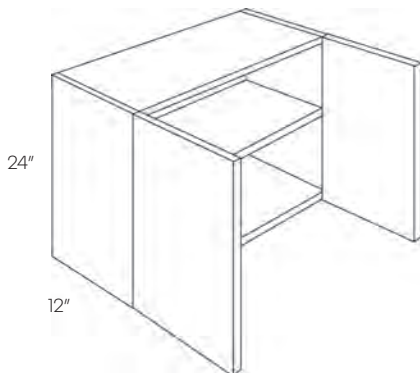
| | Item Number | D | E | F |
|------------------------------------|-------------|-----|-----|-----|
| 12" - 15" High Wall Cabinet | 3012 | 347 | 434 | 486 |
| | 3312 | 368 | 460 | 516 |
| | 3612 | 401 | 501 | 562 |
| | 2415 | 353 | 441 | 494 |
| | 3015 | 360 | 450 | 504 |
| | 3315 | 379 | 474 | 530 |
| | 3615 | 401 | 501 | 562 |
| • No shelf | | | | |



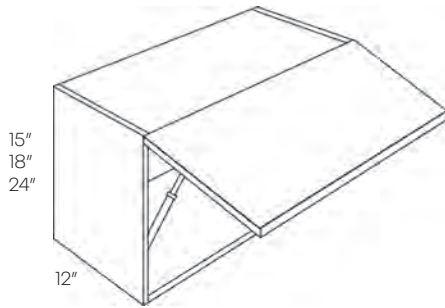
| | | | | |
|------------------------------|---------------|-----|-----|-----|
| 18" High Wall Cabinet | 2118 (1 door) | 333 | 416 | 467 |
| | 2418 | 364 | 455 | 510 |
| | 3018 | 401 | 501 | 562 |
| | 3318 | 399 | 499 | 559 |
| | 3618 | 453 | 567 | 635 |
| • No shelf | | | | |



| | | | | |
|------------------------------|------|-----|-----|-----|
| 24" High Wall Cabinet | 2424 | 498 | 622 | 698 |
| | 2724 | 503 | 630 | 705 |
| | 3024 | 520 | 652 | 735 |
| | 3324 | 538 | 672 | 753 |
| | 3624 | 577 | 722 | 808 |
| | 4224 | 648 | 810 | 908 |
| • No center brace | | | | |



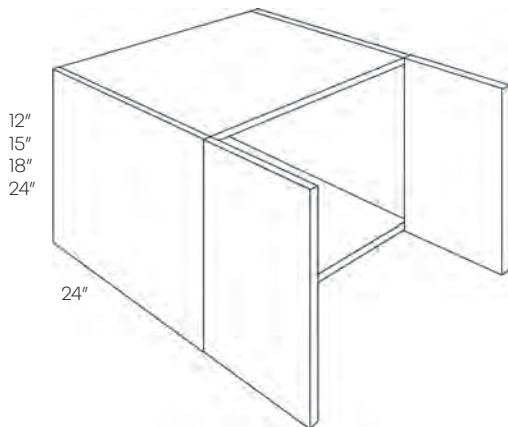
Horizontal Wall Cabinet



| Item Number | D | E | F |
|-----------------|-----|-----|------|
| 3015-HD | 590 | 737 | 826 |
| 3018-HD | 594 | 742 | 832 |
| 3615-HD | 735 | 919 | 1030 |
| 3618-HD | 745 | 935 | 1045 |
| 3024-HD* | 683 | 854 | 957 |

* Has shelf

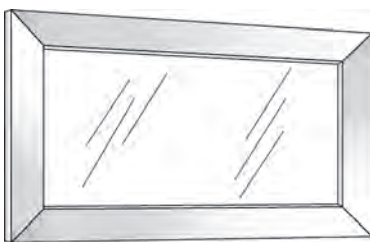
24" Deep Wall Cabinet



| | | | |
|-----------------|-----|-----|------|
| 3012X24 | 447 | 559 | 625 |
| 3015X24 | 487 | 610 | 683 |
| 3018X24 | 506 | 633 | 709 |
| 3024X24* | 678 | 847 | 949 |
| 3312X24 | 478 | 598 | 669 |
| 3315X24 | 498 | 622 | 698 |
| 3318X24 | 517 | 646 | 724 |
| 3324X24* | 726 | 908 | 1016 |
| 3612X24 | 518 | 647 | 725 |
| 3615X24 | 541 | 677 | 757 |
| 3618X24 | 610 | 762 | 854 |
| 3624X24* | 781 | 977 | 1094 |

* Has shelf

12"-24" High Aluminum Horizontal Door

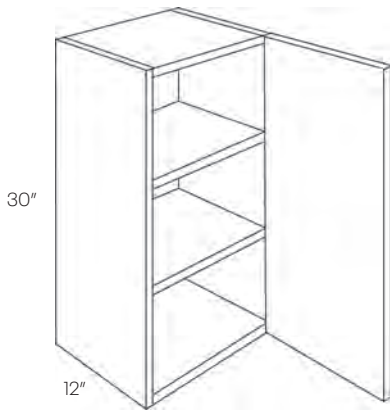


| | | | |
|-----------------|-----|-----|-----|
| AFG-3012 | 376 | 376 | 376 |
| AFG-3015 | 438 | 438 | 438 |
| AFG-3018 | 489 | 489 | 489 |
| AFG-3024 | 586 | 586 | 586 |
| AFG-3612 | 429 | 429 | 429 |
| AFG-3615 | 501 | 501 | 501 |
| AFG-3618 | 556 | 556 | 556 |
| AFG-3624 | 669 | 669 | 669 |

- Frost white glass
- Ships loose

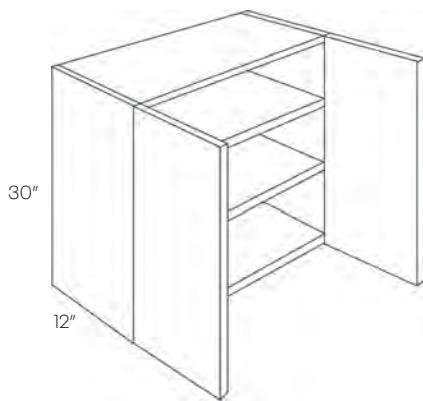
| Item Number | D | E | F |
|-------------|---|---|---|
|-------------|---|---|---|

30" High 1 Door Wall Cabinet



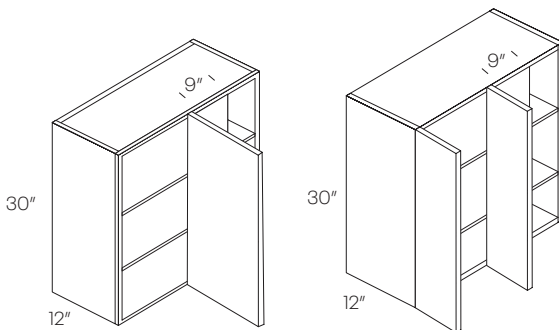
| | | | |
|------|-----|-----|-----|
| 930 | 287 | 359 | 402 |
| 1230 | 320 | 401 | 449 |
| 1530 | 343 | 429 | 481 |
| 1830 | 387 | 484 | 542 |
| 2130 | 462 | 578 | 647 |

30" High 2 Door Wall Cabinet



| | | | |
|------|-----|-----|------|
| 2430 | 495 | 619 | 693 |
| 2730 | 545 | 682 | 763 |
| 3030 | 556 | 695 | 779 |
| 3330 | 609 | 761 | 852 |
| 3630 | 645 | 807 | 903 |
| 3930 | 699 | 873 | 979 |
| 4230 | 740 | 925 | 1037 |

30" High Blind Wall Cabinet

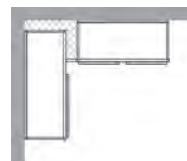


BLW27/BLW36

BLW39/BLW42

| | | | |
|---------------------|------|------|------|
| BLW27/3030 (1 door) | 704 | 880 | 986 |
| BLW36/3930 (1 door) | 842 | 1053 | 1178 |
| BLW39/4230 | 919 | 1149 | 1287 |
| BLW42/4530 | 1011 | 1264 | 1415 |

• Can be installed at actual size



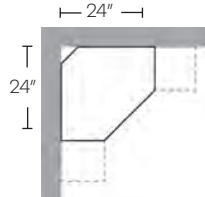
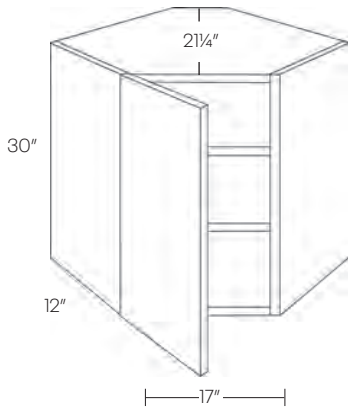
| Cabinet | Min. | Max. | Door |
|----------|------|------|------|
| BLW27/30 | 27" | 30" | 1230 |
| BLW36/39 | 36" | 39" | 2130 |
| BLW39/42 | 39" | 42" | 2430 |
| BLW42/45 | 42" | 45" | 2730 |

| Item Number | D | E | F |
|-------------|---|---|---|
|-------------|---|---|---|

30" High Diagonal Corner Wall Cabinet

| | | | |
|---------------|-----|-----|------|
| CW2430 | 721 | 901 | 1009 |
|---------------|-----|-----|------|

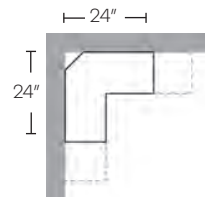
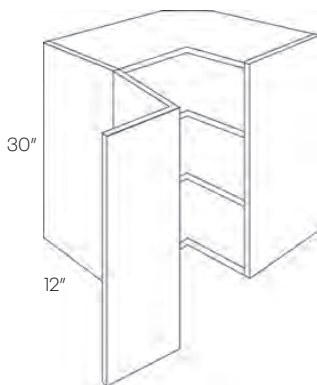
- Requires 24" x 24" wall space
- Matching Edgeband on vertical side



30" High Square Corner Wall Cabinet

| | | | |
|----------------|-----|-----|------|
| WSQ2430 | 743 | 971 | 1041 |
|----------------|-----|-----|------|

- Requires 24" x 24" wall space
- Pie is 12" x 12"



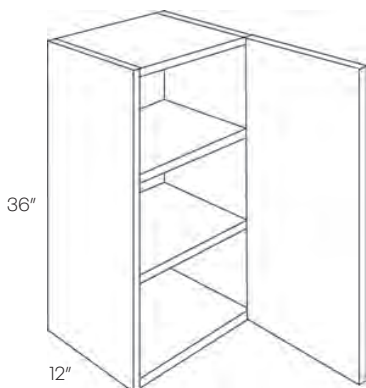
30" High Aluminum Door

| | | | |
|-----------------|-----|-----|-----|
| AFG-1530 | 364 | 364 | 364 |
| AFG-1830 | 405 | 405 | 405 |

- Frost white glass
- Ships loose

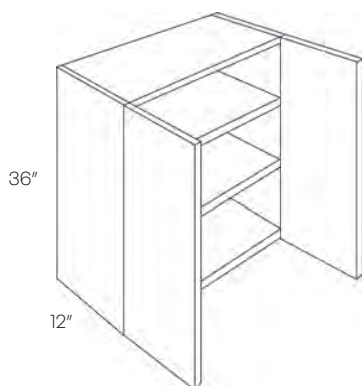


36" High 1 Door Wall Cabinet



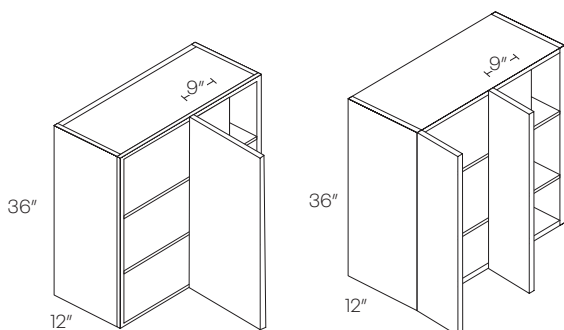
| Item Number | D | E | E |
|-------------|-----|-----|-----|
| 936 | 343 | 429 | 481 |
| 1236 | 379 | 474 | 530 |
| 1536 | 459 | 574 | 643 |
| 1836 | 510 | 640 | 700 |
| 2136 | 554 | 693 | 776 |

36" High 2 Door Wall Cabinet



| | | | |
|------|-----|-----|------|
| 2436 | 591 | 739 | 827 |
| 2736 | 654 | 818 | 915 |
| 3036 | 671 | 840 | 940 |
| 3336 | 726 | 908 | 1016 |
| 3636 | 770 | 962 | 1078 |

36" High Blind Wall Cabinet



BLW27/BLW36

BLW39

| | | | |
|---------------------|------|------|------|
| BLW27/3036 (1 door) | 818 | 1023 | 1145 |
| BLW36/3936 (1 door) | 977 | 1221 | 1367 |
| BLW39/4236 | 1080 | 1351 | 1513 |

• Can be installed at actual size

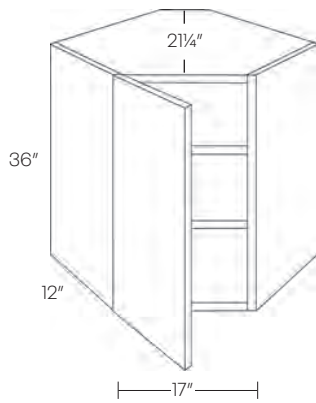


| Cabinet | Act. | Max. | Door |
|----------|------|------|------|
| BLW27/30 | 27" | 30" | 1230 |
| BLW36/39 | 36" | 39" | 2130 |
| BLW39/42 | 39" | 42" | 2430 |

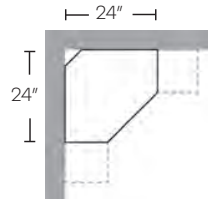
| Item Number | D | E | F |
|-------------|---|---|---|
|-------------|---|---|---|

36" High Diagonal Corner Wall Cabinet

| | | | |
|---------------|-----|-----|------|
| CW2436 | 758 | 948 | 1061 |
|---------------|-----|-----|------|

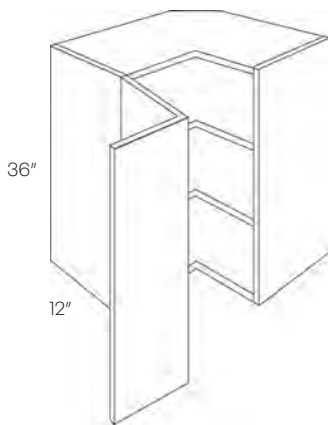


- Requires 24" x 24" wall space
- Matching Edgeband on vertical side

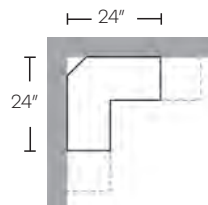


36" High Square Corner Wall Cabinet

| | | | |
|----------------|-----|------|------|
| WSQ2436 | 818 | 1023 | 1145 |
|----------------|-----|------|------|



- Requires 24" x 24" wall space



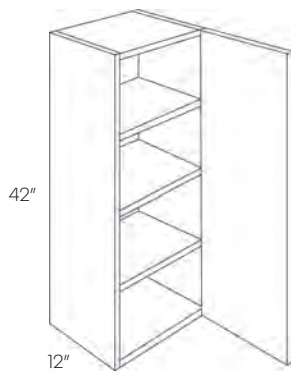
36" High Aluminum Door

| | | | |
|-----------------|-----|-----|-----|
| AFG-1536 | 416 | 416 | 416 |
| AFG-1836 | 462 | 462 | 462 |

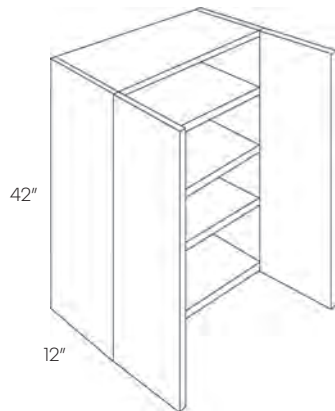


- Frost white glass
- Ships loose

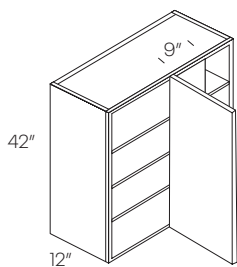
| Item Number | D | E | F |
|-------------------------------------|-----|-----|-----|
| 42" High 1 Door Wall Cabinet | | | |
| 942 | 383 | 479 | 537 |
| 1242 | 421 | 526 | 589 |
| 1542 | 460 | 575 | 644 |
| 1842 | 513 | 641 | 717 |
| 2142 | 616 | 771 | 863 |



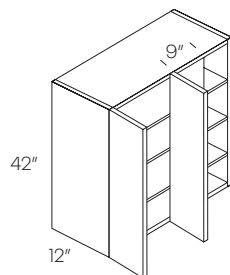
| | | | |
|-------------------------------------|-----|------|------|
| 42" High 2 Door Wall Cabinet | | | |
| 2442 | 658 | 823 | 921 |
| 2742 | 723 | 903 | 1012 |
| 3042 | 750 | 938 | 1050 |
| 3342 | 807 | 1009 | 1130 |
| 3642 | 854 | 1068 | 1196 |



| | | | |
|------------------------------------|------|------|------|
| 42" High Blind Wall Cabinet | | | |
| BLW27/3042 (1 door) | 910 | 1137 | 1273 |
| BLW36/3942 (1 door) | 1094 | 1367 | 1531 |
| BLW39/4242 | 1196 | 1495 | 1675 |

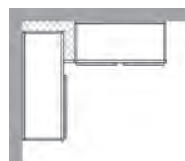


BLW27/BLW36



BLW39

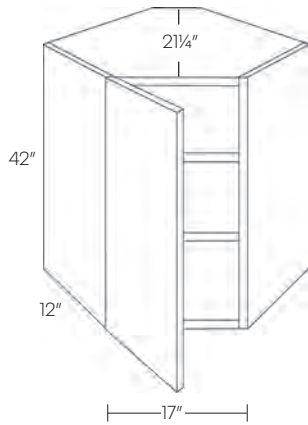
• Can be installed at actual size



| Cabinet | Act. | Max. | Door |
|----------|------|------|------|
| BLW27/30 | 27" | 30" | 1242 |
| BLW36/39 | 36" | 39" | 2142 |
| BLW39/42 | 39" | 42" | 2442 |

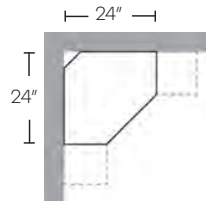
| Item Number | D | E | F |
|-------------|---|---|---|
|-------------|---|---|---|

42" High Diagonal Corner Wall Cabinet

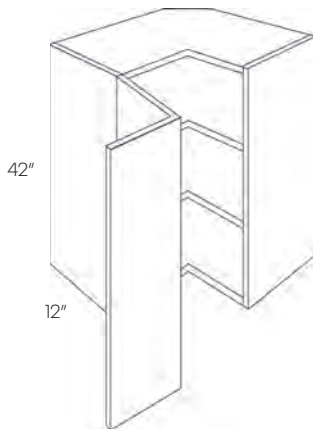


| | | | |
|---------------|-----|-----|-----|
| CW2442 | 658 | 823 | 921 |
|---------------|-----|-----|-----|

- Requires 24" x 24" wall space
- Matching Edgeband on vertical side

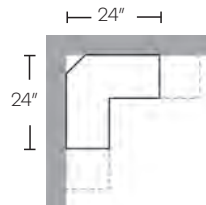


42" High Square Corner Wall Cabinet



| | | | |
|----------------|------|------|------|
| WSQ2442 | 1013 | 1267 | 1419 |
|----------------|------|------|------|

- Requires 24" x 24" wall space



42" High Aluminum Door

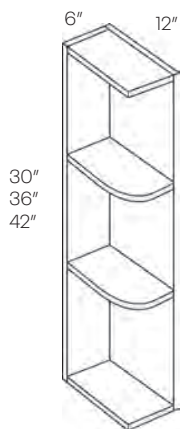


| | | | |
|-----------------|-----|-----|-----|
| AFG-1542 | 470 | 470 | 470 |
| AFG-1842 | 521 | 521 | 521 |

- Frost white glass
- Ships loose

| Item Number | D | E | F |
|-------------|---|---|---|
|-------------|---|---|---|

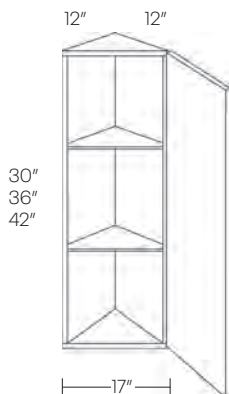
Knick Knack Wall Shelf



| | | | |
|-------------|-----|-----|-----|
| WS30 | 203 | N/A | N/A |
| WS36 | 241 | N/A | N/A |
| WS42 | 260 | N/A | N/A |

- Assembled only
- Reversible
- 42" has 3 shelves
- Shelves not adjustable
- Not available in Alvic

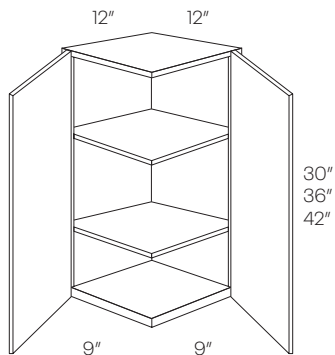
Single Door Wall End Cabinet



| | | | |
|----------------|-----|-----|-----|
| WEC1230 | 336 | 421 | 471 |
| WEC1236 | 379 | 474 | 530 |
| WEC1242 | 423 | 528 | 592 |

- 42" has 3 shelves
- Matching Edgeband

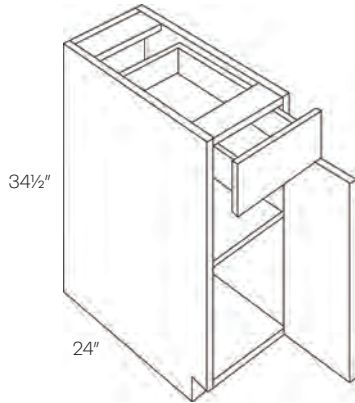
Double Door Wall End Cabinet



| | | | |
|-----------------|-----|-----|-----|
| WECD1230 | 423 | 528 | 592 |
| WECD1236 | 474 | 593 | 664 |
| WECD1242 | 529 | 662 | 741 |

- 42" has 3 shelves

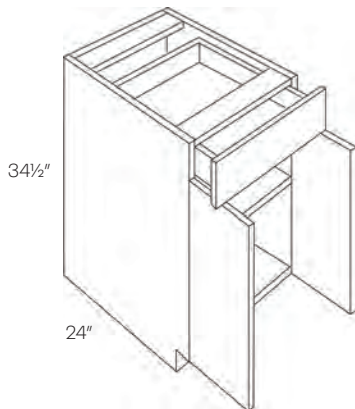
Single Door Base Cabinet



| Item Number | D | E | F |
|-------------|-----|-----|-----|
| B9 | 458 | 573 | 642 |
| B12 | 518 | 647 | 725 |
| B15 | 541 | 677 | 757 |
| B18 | 570 | 713 | 798 |
| B21 | 640 | 800 | 896 |

- Full shelf
- Full height available for same price

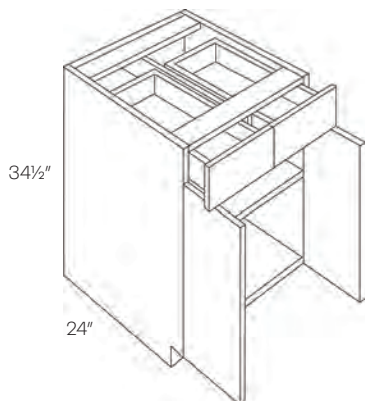
1 Drawer 2 Door Base Cabinet



| | | | |
|------------|-----|-----|------|
| B24 | 680 | 850 | 951 |
| B27 | 745 | 931 | 1042 |

- Full shelf
- Full height available for same price

2 Drawer & Door Base Cabinet

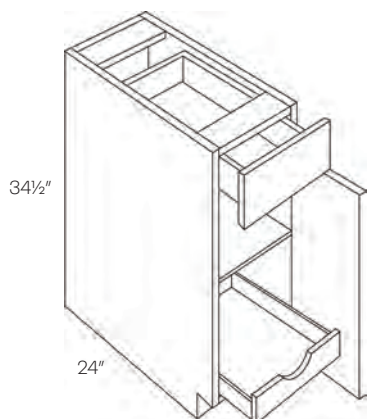


| | | | |
|------------|------|------|------|
| B30 | 850 | 1063 | 1191 |
| B33 | 903 | 1129 | 1265 |
| B36 | 945 | 1181 | 1323 |
| B39 | 996 | 1246 | 1396 |
| B42 | 1047 | 1309 | 1466 |

- Full shelf
- Full height available for same price

| Item Number | D | E | F |
|-------------|---|---|---|
|-------------|---|---|---|

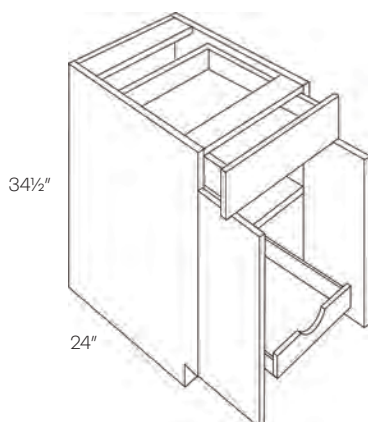
Single Door Base Cabinet W/1 POS



| | | | |
|-----------------|-----|------|------|
| B12-POS1 | 772 | 965 | 1081 |
| B15-POS1 | 801 | 1002 | 1122 |
| B18-POS1 | 850 | 1063 | 1191 |
| B21-POS1 | 940 | 1175 | 1316 |

- Full Shelf
- Ball bearing soft close glides for POS
- Full height available for same price

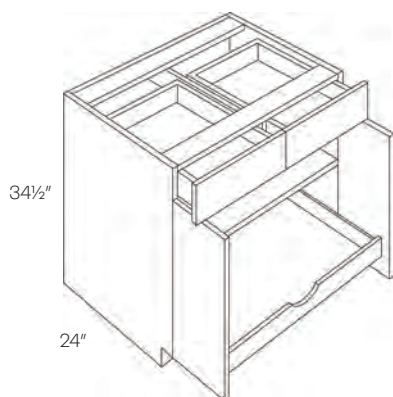
1 Drawer 2 Door Base Cabinet W/1 POS



| | | | |
|-----------------|------|------|------|
| B24-POS1 | 995 | 1244 | 1393 |
| B27-POS1 | 1070 | 1337 | 1498 |

- Full Shelf
- Ball bearing soft close glides for POS
- Full height available for same price

2 Drawer & Door Base Cabinet W/1 POS

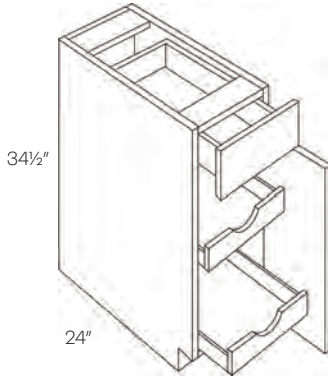


| | | | |
|-----------------|------|------|------|
| B30-POS1 | 1187 | 1483 | 1661 |
| B33-POS1 | 1250 | 1563 | 1751 |
| B36-POS1 | 1310 | 1638 | 1834 |
| B42-POS1 | 1381 | 1598 | 1935 |

- Full Shelf
- Ball bearing soft close glides for POS
- Full height available for same price

| Item Number | D | E | F |
|-------------|---|---|---|
|-------------|---|---|---|

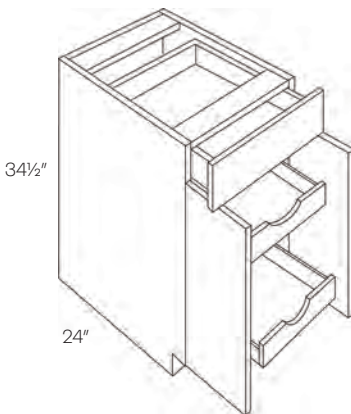
Single Door Base Cabinet W/2 POS



| | | | |
|-----------------|------|------|------|
| B12-POS2 | 938 | 1173 | 1313 |
| B15-POS2 | 974 | 1218 | 1364 |
| B18-POS2 | 1043 | 1305 | 1461 |
| B21-POS2 | 1144 | 1430 | 1601 |

- Ball bearing soft close glides for POS
- Full height available for same price

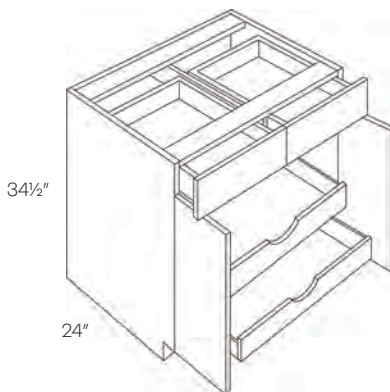
1 Drawer 2 Door Base Cabinet W/2 POS



| | | | |
|-----------------|------|------|------|
| B24-POS2 | 1224 | 1530 | 1714 |
| B27-POS2 | 1308 | 1635 | 1831 |

- Ball bearing soft close glides for POS
- Full height available for same price

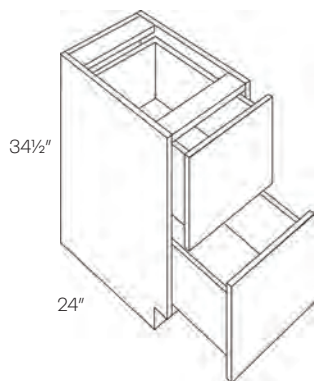
2 Drawer & Door Base Cabinet W/2 POS



| | | | |
|-----------------|------|------|------|
| B30-POS2 | 1436 | 1796 | 2011 |
| B33-POS2 | 1511 | 1889 | 2115 |
| B36-POS2 | 1588 | 1985 | 2223 |
| B42-POS2 | 1674 | 1927 | 2346 |

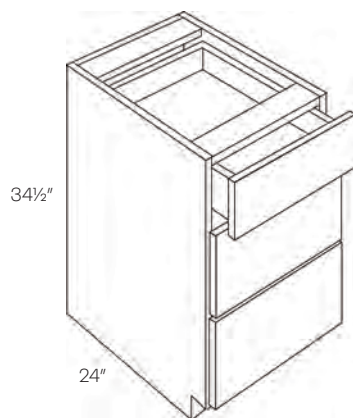
- Ball bearing soft close glides for POS
- Full height available for same price

2 Drawer Base Cabinet



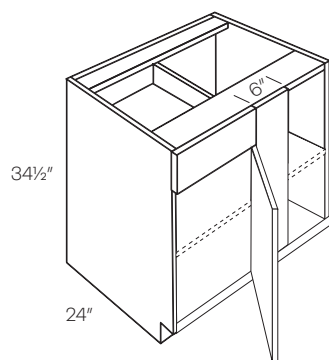
| Item Number | D | E | F |
|---------------|------|------|------|
| DB24-2 | 936 | 1170 | 1310 |
| DB30-2 | 1013 | 1267 | 1419 |
| DB36-2 | 1134 | 1419 | 1588 |

3-Drawer Base Cabinet



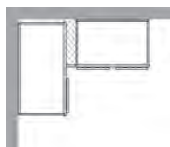
| | | | |
|-------------|------|------|------|
| DB12 | 820 | 1025 | 1148 |
| DB15 | 858 | 1074 | 1202 |
| DB18 | 876 | 1096 | 1227 |
| DB21 | 905 | 1132 | 1268 |
| DB24 | 936 | 1170 | 1310 |
| DB27 | 982 | 1227 | 1375 |
| DB30 | 1013 | 1267 | 1419 |
| DB33 | 1062 | 1328 | 1488 |
| DB36 | 1134 | 1419 | 1588 |

Blind Base Cabinet



| | | | |
|-----------------|------|------|------|
| BLB36/39 | 898 | 1123 | 1258 |
| BLB39/42 | 923 | 1154 | 1293 |
| BLB42/45 | 989 | 1237 | 1385 |
| BLB45/48 | 1068 | 1336 | 1496 |

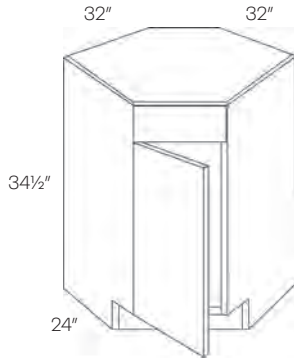
- Reversible Left or Right
- Must be pulled to the minimum position



| Cabinet | Min. | Max. | Door |
|----------|------|------|------|
| BLB36/39 | 27" | 39" | B9 |
| BLB39/42 | 33" | 42" | B12 |
| BLB42/45 | 36" | 45" | B15 |
| BLB45/48 | 42" | 48" | B18 |

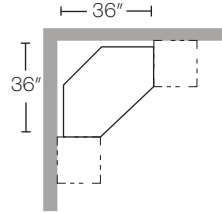
| Item Number | D | E | F |
|-------------|---|---|---|
|-------------|---|---|---|

Diagonal Corner Sink Base Cabinet

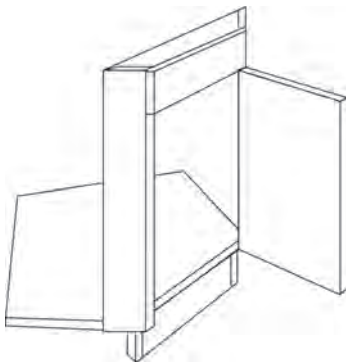


| | | | |
|--------------|------|------|------|
| CSB36 | 1308 | 1635 | 1831 |
|--------------|------|------|------|

- Full height available for same price
- Requires 36" x 36" wall space
- Matching edgebanding will be applied on vertical edge frame

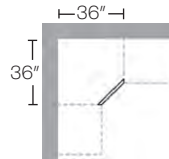


Diagonal Corner Sink Front

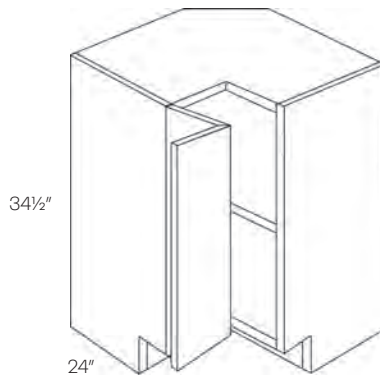


| | | | |
|------------------------|-----|-----|-----|
| CSF36 | 560 | 700 | 783 |
| CSFFL36 (Floor) | 162 | 203 | 162 |

- Requires 36" x 36" wall space
- Requires a floor
- CSF36 ships together with CSFFL36

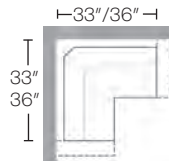


Easy Reach Corner Base Cabinet

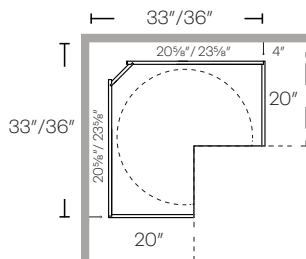
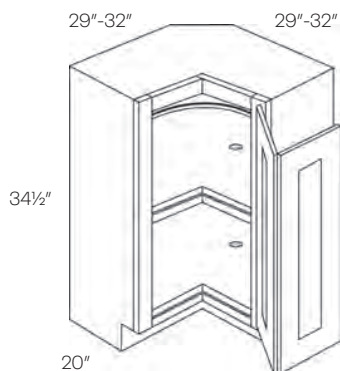


| | | | |
|----------------|------|------|------|
| BSQC33R | 1170 | 1462 | 1638 |
| BSQC33L | 1170 | 1462 | 1638 |
| BSQC36R | 1170 | 1462 | 1638 |
| BSQC36L | 1170 | 1462 | 1638 |

- Available in left or right hinge
- Left hand shown



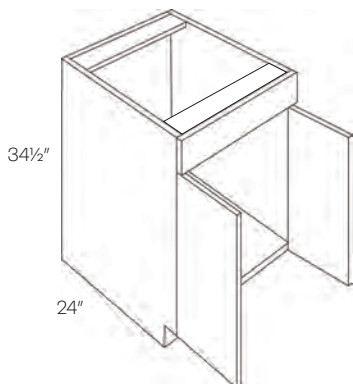
Lazy Susan Corner Base Cabinet



| Item Number | D | E | F |
|---------------|------|------|------|
| CAR33R | 1850 | 2313 | 2590 |
| CAR33L | 1850 | 2313 | 2590 |
| CAR36R | 1850 | 2313 | 2590 |
| CAR36L | 1850 | 2313 | 2590 |

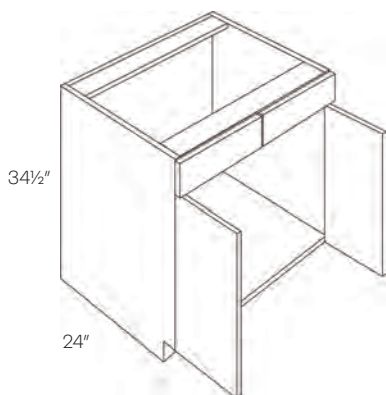
- Requires 33"x33" / 36"x36" wall space
- Pie cut for 33" is 9" for 36" is 12"
- Available in left or right hinge
- Right hand shown

1 Drawer Front & 2 Door Sink Base Cabinet



| | | | |
|-------------|-----|-----|-----|
| SB24 | 634 | 793 | 888 |
| SB27 | 683 | 854 | 957 |

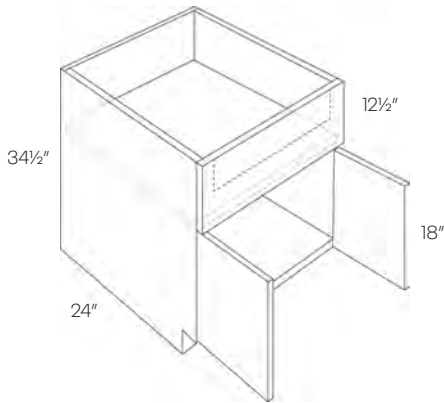
2 Drawer Front & 2 Door Sink Base Cabinet



| | | | |
|-------------|-----|------|------|
| SB30 | 724 | 904 | 1013 |
| SB33 | 769 | 961 | 1076 |
| SB36 | 783 | 980 | 1097 |
| SB39 | 806 | 1008 | 1129 |
| SB42 | 820 | 1025 | 1148 |

| Item Number | D | E | F |
|----------------|-----|-----|------|
| SB30-FS | 724 | 904 | 1013 |
| SB36-FS | 783 | 980 | 1097 |

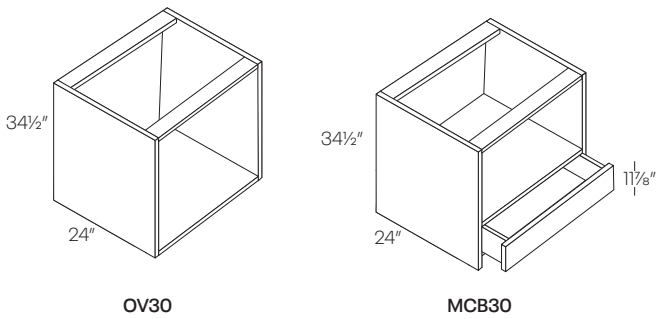
2 Door Farm Sink Base Cabinet



- SB30-FS is 27" wide
- SB36-FS is 33" wide

Oven & Microwave Base Cabinet

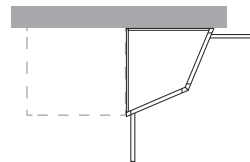
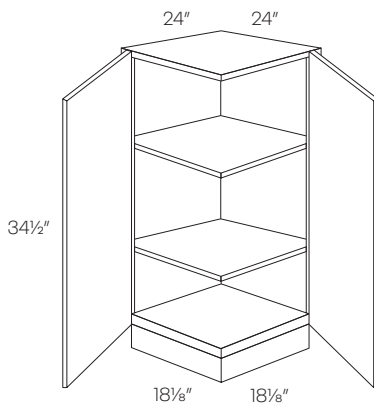
| | | | |
|--------------|------|------|------|
| OVB30 | 724 | 904 | 1013 |
| MCB30 | 1013 | 1267 | 1419 |



- OV Front opening is 28 1/2" x 29"
- MC Front opening is 28 1/2" x 17 3/4"

Base End Cabinet

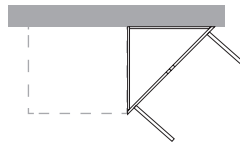
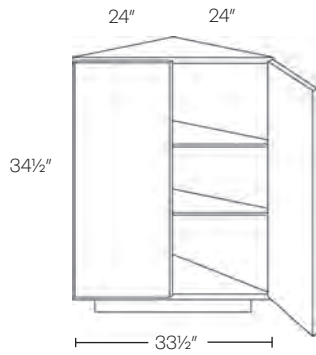
| | | | |
|--------------|-----|-----|-----|
| BEC24 | 656 | 820 | 918 |
|--------------|-----|-----|-----|



| Item Number | D | E | F |
|-------------|---|---|---|
|-------------|---|---|---|

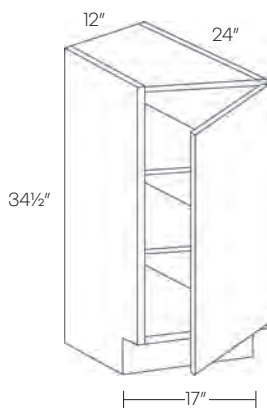
Base End Straight Cabinet

| | | | |
|---------------|-----|-----|-----|
| BECS24 | 656 | 820 | 918 |
|---------------|-----|-----|-----|

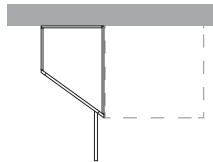


Angle Base End Cabinet

| | | | |
|----------------|-----|-----|-----|
| BTC2412 | 576 | 721 | 807 |
|----------------|-----|-----|-----|

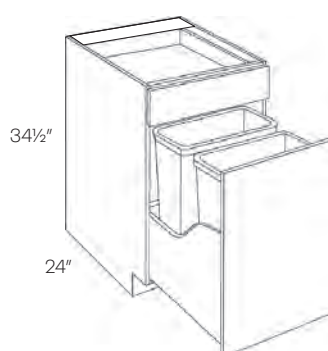
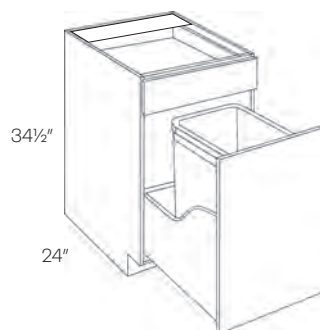


- Reversible
- Loose Toe Kick
- Hinged on 24"



Waste Basket Cabinet

| | | | |
|------------------------------|------|------|------|
| BWBK15 (1 basket) | 947 | 1184 | 1327 |
| BWBK18 (2 basket) | 1004 | 1254 | 1405 |



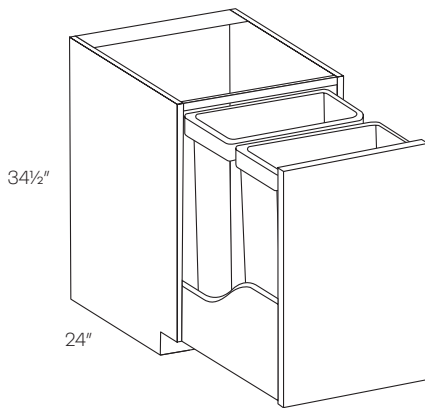
- BWBK15 includes 35qt. waste basket
- BWBK18 includes 2-35qt. waste baskets

| Item Number | D | E | F |
|-------------|---|---|---|
|-------------|---|---|---|

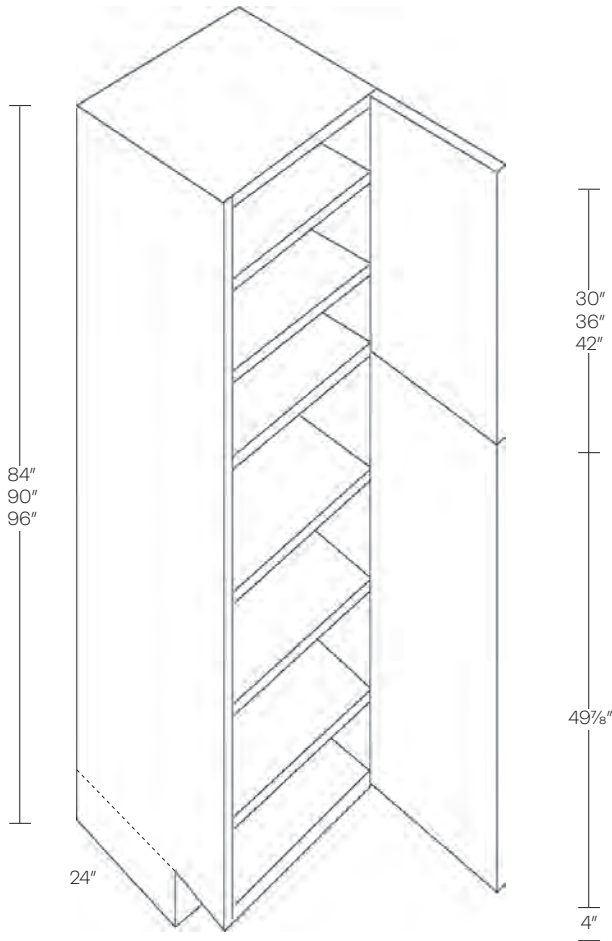
Full Height Double Waste Basket Cabinet

| | | | |
|------------------|------|------|------|
| BWBK21-FH | 1042 | 1304 | 1459 |
|------------------|------|------|------|

- Includes two 50qt. waste baskets



Single Door Cabinet

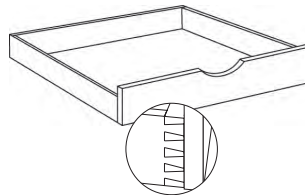


| Item Number | D | E | F |
|-------------------|------|------|------|
| UC1524X84 | 1735 | 2169 | 2429 |
| UC1524X90 | 2030 | 2538 | 2842 |
| UC1524X96* | 2255 | 2819 | 3156 |
| UC1824X84 | 1807 | 2260 | 2530 |
| UC1824X90 | 2115 | 2643 | 2961 |
| UC1824X96* | 2349 | 2936 | 3330 |
| POS15-3 | 697 | 697 | 697 |
| POS15-4 | 871 | 871 | 871 |
| POS18-3 | 753 | 753 | 753 |
| POS18-4 | 946 | 946 | 946 |

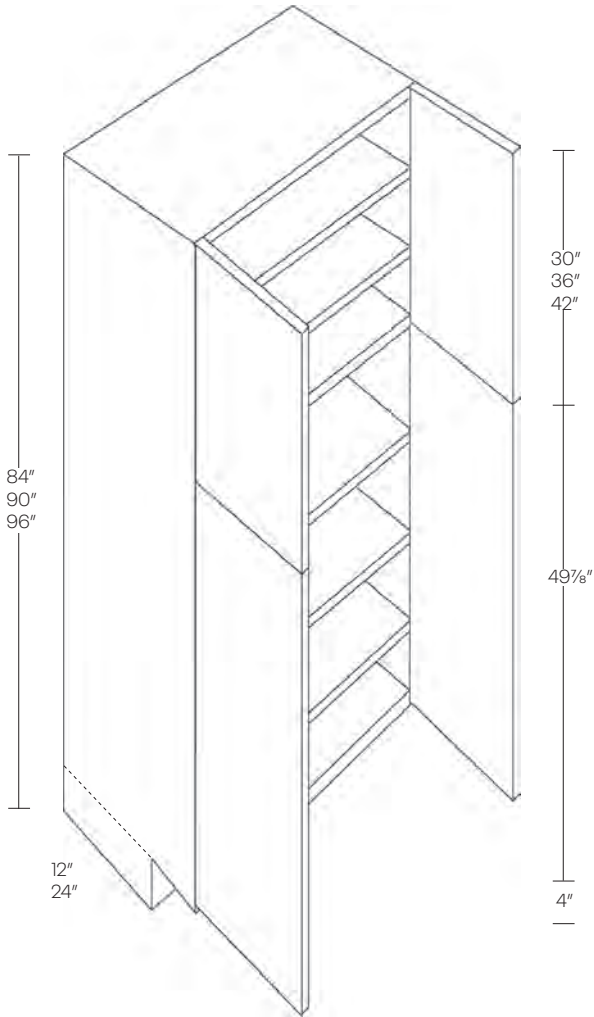
- POS price is in addition to the cabinet list price
- POS will be factory installed
- Ball bearing glides for POS

- * 84" and 90" has 2 upper shelves
- * 96" has 3 upper shelves
- * Toe kick shipped loose

Pull Out Shelf



Double Door Utility Cabinet

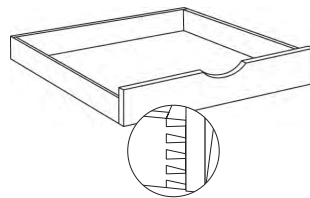


| Item Number | D | E | F |
|-------------------|------|------|------|
| UC2412X84 | 2016 | 2521 | 2823 |
| UC2412X90 | 2200 | 2751 | 3080 |
| UC2412X96* | 2271 | 2840 | 3180 |
| UC2424X84 | 2081 | 2602 | 2914 |
| UC2424X90 | 2365 | 2957 | 3312 |
| UC2424X96* | 2629 | 3286 | 3680 |
| UC3024X84 | 2394 | 2992 | 3351 |
| UC3024X90 | 2721 | 3401 | 3810 |
| UC3024X96* | 3023 | 3778 | 4232 |
| POS24-3 | 860 | 860 | 860 |
| POS24-4 | 1089 | 1089 | 1089 |
| POS30-3 | 923 | 923 | 923 |
| POS30-4 | 1173 | 1173 | 1173 |

- POS price is in addition to the cabinet list price
- POS will be factory installed
- Ball bearing glides for POS

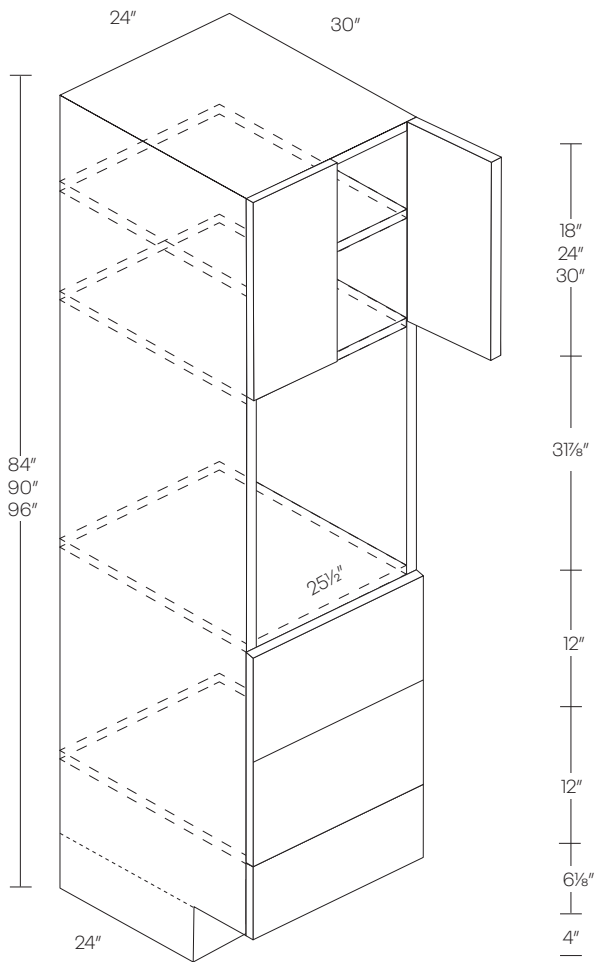
- * 84" and 90" has 2 upper shelves
- * 96" has 3 upper shelves
- * Toe kick shipped loose

Pull Out Shelf



| Item Number | D | E | F |
|----------------|------|------|------|
| OV3084 | 2009 | 2512 | 2813 |
| OV3090 | 2134 | 2668 | 2988 |
| OV3096* | 2260 | 2825 | 3164 |

Double Door Oven Cabinet

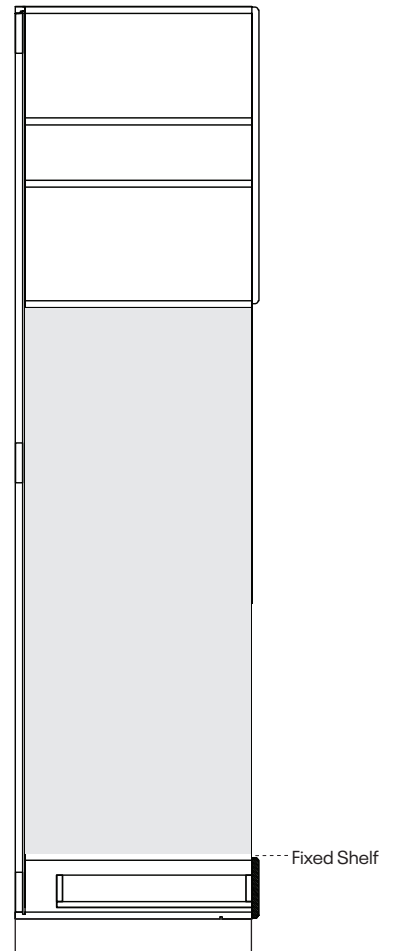
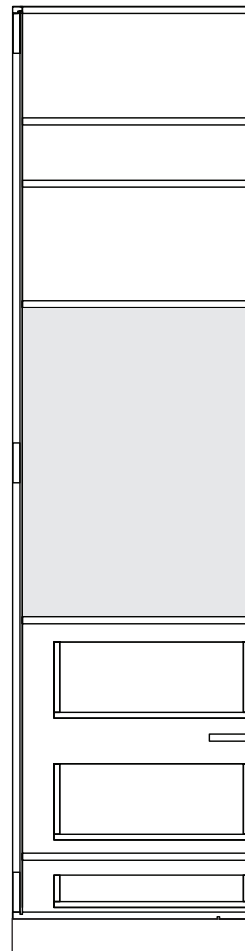


- Has 2 upper shelves
- Max opening 52.5"
- For double wall ovens, remove drawers as needed

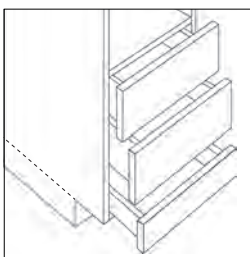
*Toe kick shipped loose

Side

Field Modified
*for double oven, remove fixed shelf and bottom 12" drawers



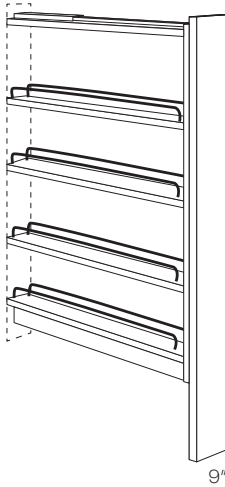
Bottom drawers open



| Item Number | D | E | F |
|-------------|---|---|---|
|-------------|---|---|---|

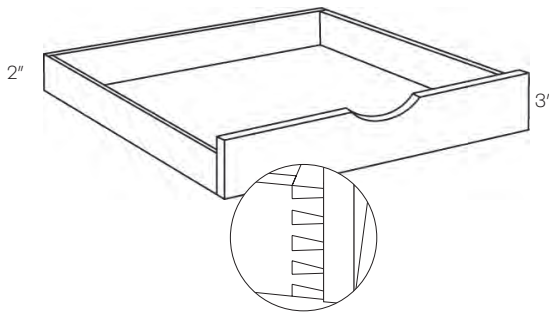
Spice Cabinet

| BSP9 | 719 | 899 | 1034 |
|------|-----|-----|------|
|------|-----|-----|------|



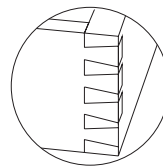
- Rev-a-shelf insert

Pull Out Shelf

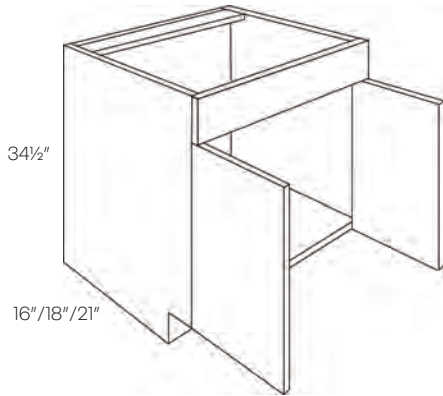


| | | | |
|-------|-----|-----|-----|
| POS12 | 171 | 171 | 171 |
| POS15 | 179 | 179 | 179 |
| POS18 | 198 | 198 | 198 |
| POS21 | 208 | 208 | 208 |
| POS24 | 235 | 235 | 235 |
| POS27 | 244 | 244 | 244 |
| POS30 | 255 | 255 | 255 |
| POS33 | 266 | 266 | 266 |
| POS36 | 285 | 285 | 285 |
| POS42 | 299 | 299 | 299 |

- Ball bearing soft-close glides included
- POS uses dovetail construction
- Natural finish



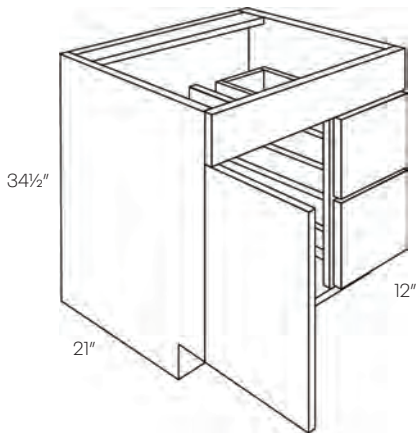
2 Door Vanity Base Cabinet



| Item Number | D | E | F |
|----------------|-----|-----|------|
| V1816 (1 door) | 312 | 390 | 437 |
| V2418 | 405 | 506 | 567 |
| V3018 | 562 | 703 | 786 |
| V2421 | 478 | 598 | 669 |
| V3021 | 593 | 741 | 830 |
| V3621 | 719 | 899 | 1008 |

- Dealer must order toe kick

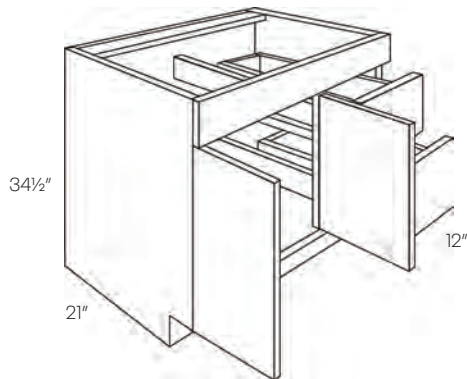
1 Door 2 Drawer Vanity Base Cabinet



| | | | |
|--------|-----|-----|------|
| V2421D | 685 | 856 | 959 |
| V3021D | 782 | 978 | 1096 |

- Right side drawers
- Dealer must order toe kick

2 Door 2 Drawer Vanity Base Cabinet



| | | | |
|--------|------|------|------|
| V3621D | 1068 | 1336 | 1496 |
| V4221D | 1150 | 1437 | 1610 |

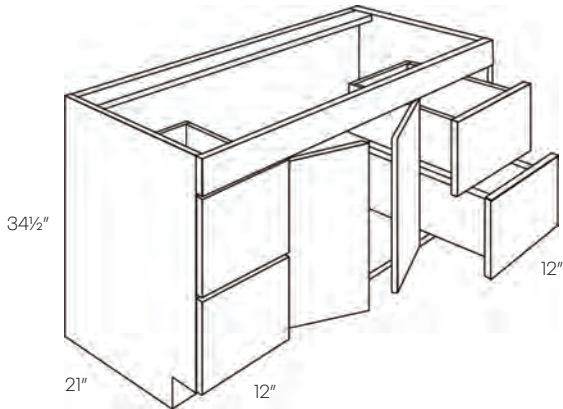
- Right side drawers
- Dealer must order toe kick

| Item Number | D | E | F |
|-------------|---|---|---|
|-------------|---|---|---|

2 Door & Drawer Vanity Base Cabinet

| | | | |
|----------------|------|------|------|
| V4821DD | 1283 | 1604 | 1796 |
|----------------|------|------|------|

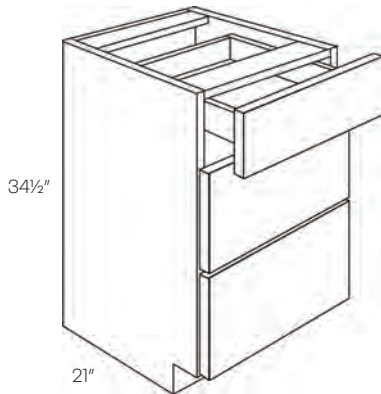
• Dealer must order toe kick



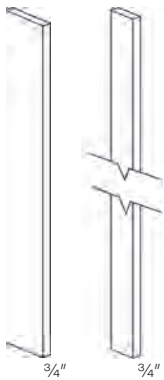
Vanity Drawer Base Cabinet

| | | | |
|--------------|-----|------|------|
| VDB12 | 724 | 904 | 1013 |
| VDB15 | 787 | 985 | 1103 |
| VDB18 | 820 | 1025 | 1148 |

• Dealer must order toe kick



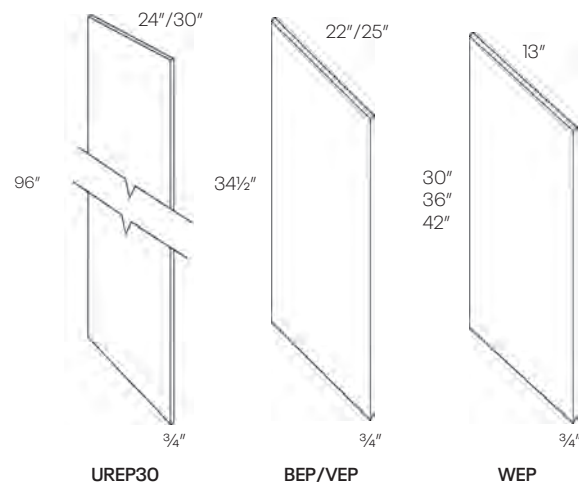
| | Item Number | D | E | F |
|---------------|-------------|-----|-----|-----|
| Filler | F330 | 42 | 78 | 105 |
| | F630 | 60 | 96 | 123 |
| | F336 | 54 | 90 | 117 |
| | F636 | 82 | 117 | 144 |
| | F342 | 77 | 111 | 138 |
| | F642 | 107 | 169 | 216 |
| | F396 | 127 | 199 | 253 |
| | F696 | 168 | 314 | 422 |
| | F330.5 | 59 | 95 | 122 |
| | F630.5 | 100 | 150 | 190 |
| | OF330 | N/A | 77 | 102 |
| | OF630 | N/A | 95 | 120 |
| | OF336 | N/A | 89 | 114 |
| | OF636 | N/A | 116 | 140 |
| | OF342 | N/A | 110 | 135 |
| | OF642 | N/A | 165 | 210 |
| | OF396 | N/A | 190 | 246 |
| OF696 | N/A | 300 | 405 | |
| OF330.5 | N/A | 78 | 105 | |
| OF630.5 | N/A | 96 | 123 | |



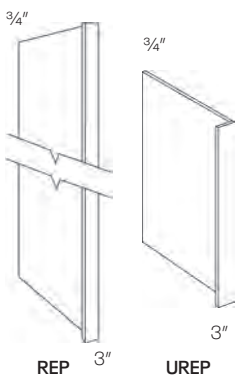
- Overlays available for Alvic
- F330B for use with base cabinets
- Fillers finished on all 4 sides

| | Item Number | D | E | F |
|------------------|-------------|-----|-----|------|
| End Panel | BEP | 198 | 246 | 414 |
| | VEP | N/A | 217 | 364 |
| | WEP30 | N/A | 117 | 187 |
| | WEP36 | N/A | 134 | 225 |
| | WEP42 | N/A | 156 | 262 |
| | UREP30 | 640 | 820 | 1380 |
| | UREP24 | N/A | 656 | 1104 |
| | PANEL* | N/A | 41 | 69 |

- *Price per square foot
- All sides are finished



| | Item Number | D | E | F |
|--|-------------|-----|-----|-----|
| Refrigerator & Dishwasher End Panel | REP384 | 448 | N/A | N/A |
| | REP390 | 464 | N/A | N/A |
| | REP396 | 495 | N/A | N/A |
| | DWR3 | 204 | N/A | N/A |



- One side finished, other side white matte
- Overlays available for Alvic

| | Item Number | D | E | F |
|---------------|-------------|-----|-----|-----|
| Column | CLM-B30 | 545 | N/A | N/A |
| | CLM-30X15 | 216 | N/A | N/A |
| | CLM-36X15 | 288 | N/A | N/A |
| | CLM-42X15 | 288 | N/A | N/A |

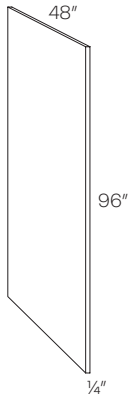


- Finished 3 sides
- Trimable

| Item Number | D | E | F |
|-------------|---|---|---|
|-------------|---|---|---|

Plywood Panel

| PLY4X8 | 702 | N/A | N/A |
|--------|-----|-----|-----|
|--------|-----|-----|-----|



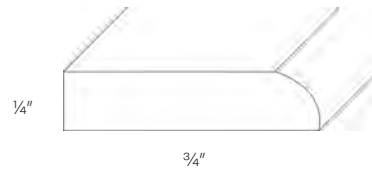
- One side finished, other side white matte

| Item Number | D | E | F |
|-------------|---|---|---|
|-------------|---|---|---|

Scribe Molding

| SCM | 71 | N/A | N/A |
|-----|----|-----|-----|
|-----|----|-----|-----|

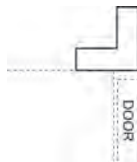
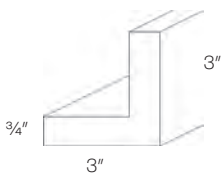
- 8 Feet long



Contemporary Crown Molding

| CCM | 253 | N/A | N/A |
|-----|-----|-----|-----|
|-----|-----|-----|-----|

- 8 Feet long
- Outer ends are finished

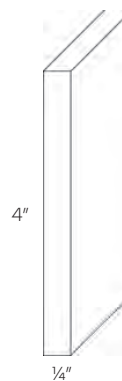


Suggested Use

Toe Kick

| TKS | 79 | 94 | 110 |
|-----|----|----|-----|
|-----|----|----|-----|

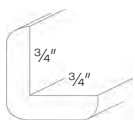
- 8 Feet long
- Alvic toe kick is 18mm thick



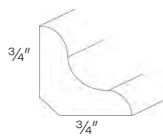
Corner Molding

| OCM | 96 | N/A | N/A |
|-----|----|-----|-----|
| ICM | 96 | N/A | N/A |

- 8 Feet long



OCM

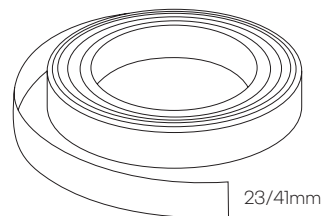


ICM

Edgeband

| EDGE-23mm | N/A | N/A | N/A |
|-----------|-----|-----|-----|
| EDGE-41mm | N/A | N/A | N/A |

- Please call for pricing



| Item Number | D | E | F |
|-------------|---|---|---|
|-------------|---|---|---|

Matching Finished Side



| | | | |
|--------------|-----|-----|-----|
| BFP | 124 | N/A | N/A |
| WFP12 | 38 | N/A | N/A |
| WFP15 | 43 | N/A | N/A |
| WFP18 | 49 | N/A | N/A |
| WFP24 | 51 | N/A | N/A |
| WFP30 | 55 | N/A | N/A |
| WFP36 | 68 | N/A | N/A |
| WFP42 | 75 | N/A | N/A |
| TFP84 | 311 | N/A | N/A |
| TFP90 | 333 | N/A | N/A |
| TFP96 | 356 | N/A | N/A |
| VFP | 107 | N/A | N/A |
| FSV | 119 | N/A | N/A |

• Factory applied

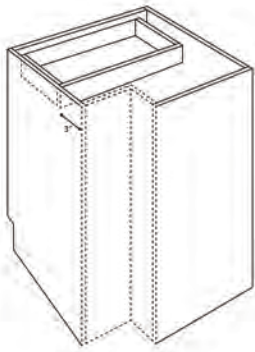
Touch Up Kit

| | | | |
|------------|----|-----|-----|
| TUP | 78 | N/A | N/A |
|------------|----|-----|-----|

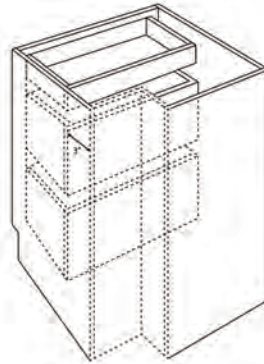
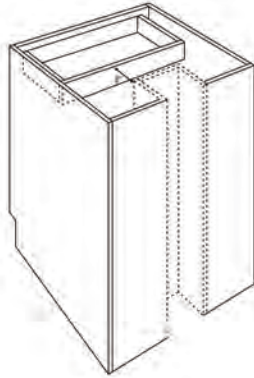


Modifications & Upgrades

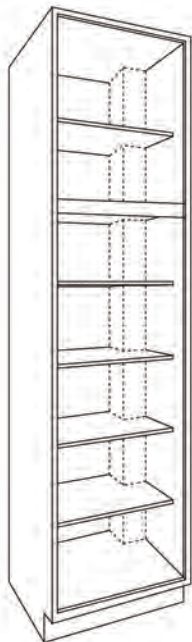
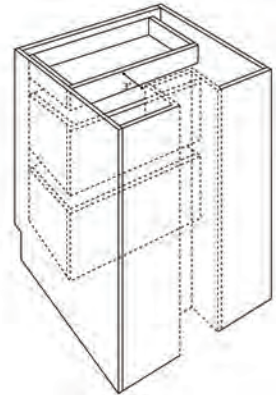
Only available on items shipped
from the New Jersey warehouse



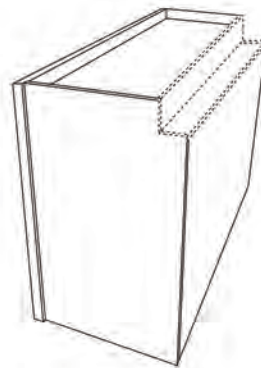
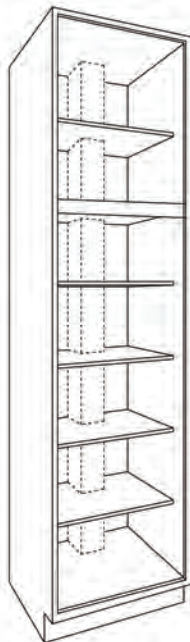
Base Cabinet



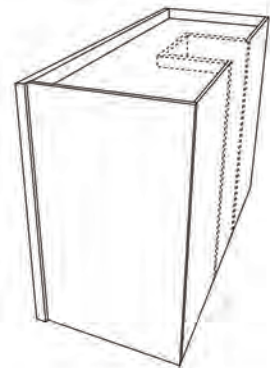
Drawer Base Cabinet



Tall Cabinet

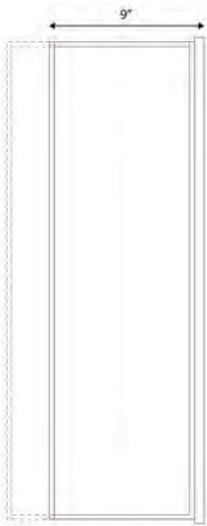


Wall Cabinet

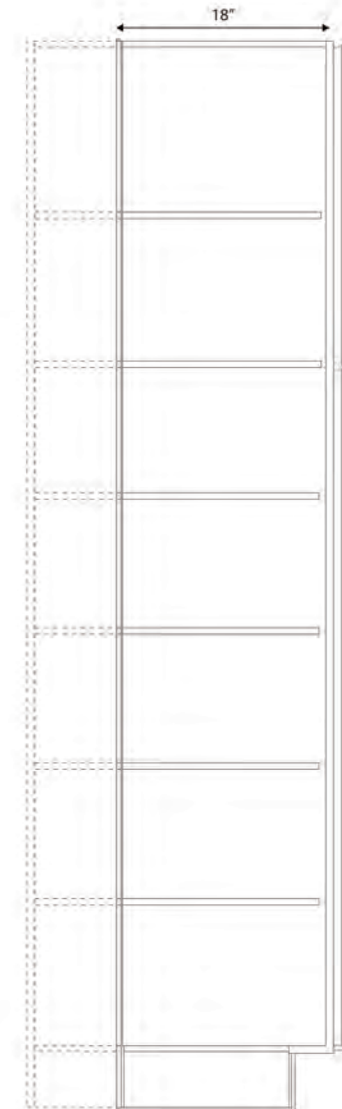


| Chase Cuts | Description | List Price |
|------------|--------------------------------|------------|
| CT-BCHASE | Base cabinet, chase cut | 870 |
| CT-DBCHASE | Drawer base cabinet, chase cut | 1087 |
| CT-TCHASE | Tall cabinet, chase cut | 1196 |
| CT-WCHASE | Wall cabinet, chase cut | 761 |

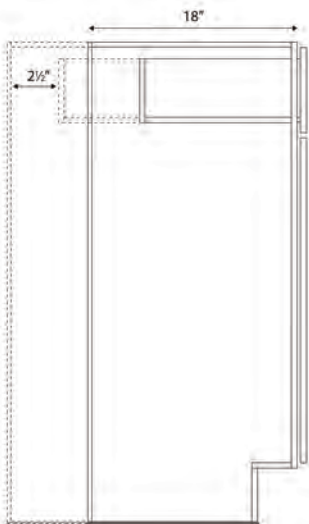
- Must provide accurate drawings with your order
- Only available in North East



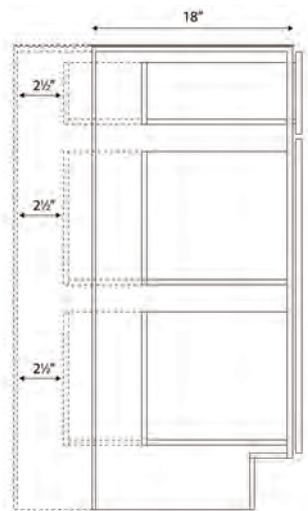
Wall Cabinet



Tall Cabinet



Base Cabinet



Drawer Base Cabinet

*Dovetail not in back
*Classic only - RD to 21"

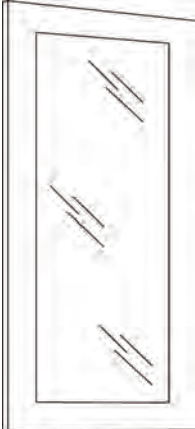
| Cut Down Depth | Description | List Price |
|----------------|-------------------------------------|------------|
| CT-BCUT* | Base cabinet, cut down depth | 496 |
| CT-DBCUT* | Drawer base cabinet, cut down depth | 761 |
| CT-TCUT* | Tall cabinet, cut down depth | 761 |
| CT-WCUT** | Wall cabinet, cut down depth | 435 |

*Can be cut down to 9", 12", 15", 18" & 21" | **Can be cut down to 6", 9" & 11"
*9" Base Cabinets will have a dummy drawer front

Modifications & Upgrades

| Item | Description | List Price |
|---------------------|-----------------------------------|------------|
| CT-DCG | Door cut for glass | 175 |
| CT-DCG-GLI | Door cut and insert glass | 360 |
| CT-DCG-GLI-F | Door cut and insert frosted glass | 500 |
| CT-GLI | Glass Insert | 170 |
| CT-GLI-F | Frosted glass insert | 340 |

Door cut for glass

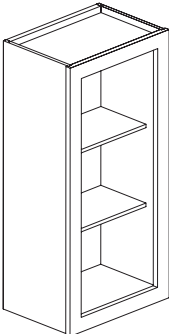


- Loose glass not for sale
- Luxor modifications to be done only on purchased cabinets.

*Loose doors only available in Concord
**Per door cost shown above

| | | |
|------------------|-------------------|---------------|
| CT-FINISH | Finished Interior | 50% Up-charge |
|------------------|-------------------|---------------|

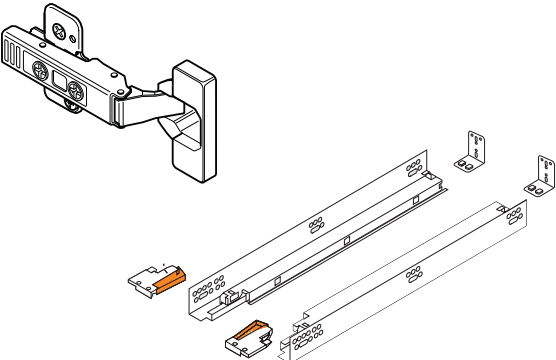
Finished Interior



- Available only for Wall Cabinets in Concord Collection
- Only available in North East

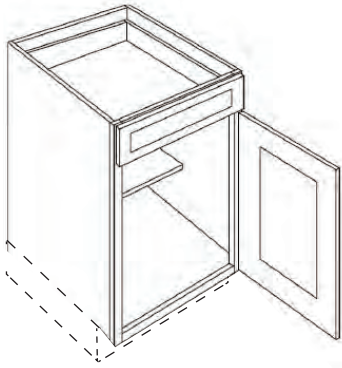
| | | |
|-----------------------|---|-----|
| BLUM-CLS-HINGE | Classic hinge upgrade (charge per hinge) | 22 |
| BLUM-CON-GLIDE | Concord glide upgrade (charge per drawer) | 131 |
| BLUM-CON-HINGE | Concord hinge upgrade (charge per hinge) | 13 |

Hinge and Glide Upgrade



| Item | Description | List Price |
|--------------------|--------------------------------|------------|
| CT-HANDICUT | Base cabinet, cut off toe kick | 109 |

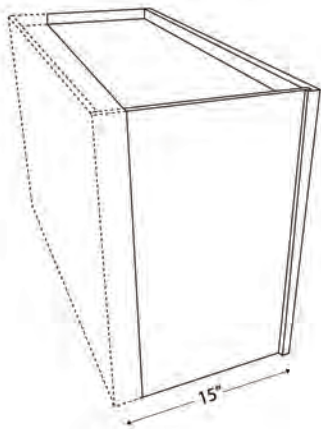
Remove Toe Kick



Wall

| | | |
|----------------|---------------------|-----|
| CT-EXDW | Extended depth wall | 761 |
|----------------|---------------------|-----|

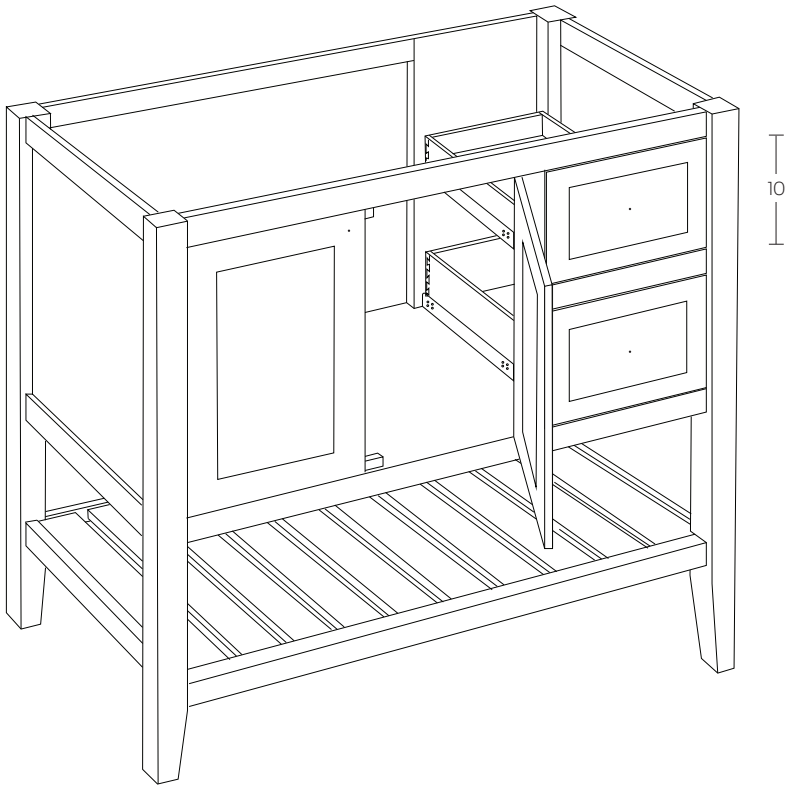
- Can only be extended to 15", 18", 21" & 24"
- Only available for Classic & Concord



Specifications and Prices

Vanguard Collection

Vanguard Vanities



Interior — Finished with the same finish as the outside

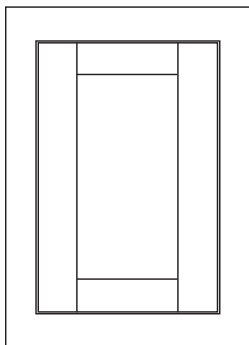
Drawers — 5/8" solid wood Dovetail sides 3/8" thick bottom

Hinges — Heavy duty steel concealed adjustable soft close hinge.

Glides — High quality soft-close under-mount glides.

*Open back behind all doors

**Pre-drilled for hardware



| Finish | Price Code | Species |
|-------------------------------------|------------|---------|
| VG10 - White (paint) | K | Birch |
| VG11 - Espresso (stain) | K | Birch |
| VG22 - Dove (paint) | K | Birch |
| VG26 - Indigo (paint) (Coming Soon) | L | Birch |

| Item Number | K | L |
|-------------|---|---|
|-------------|---|---|

| Item Number | K | L |
|-------------|---|---|
|-------------|---|---|

Bottom Drawer Vanity

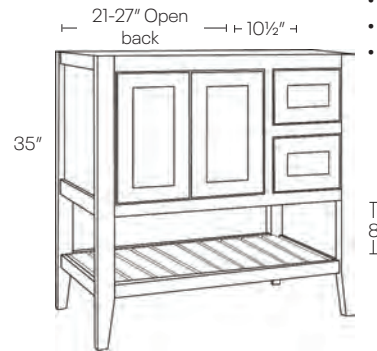
| | | |
|---------|-----|-----|
| VBD2421 | 728 | 759 |
| VBD3021 | 770 | 839 |
| VBD3621 | 882 | 919 |



- Use tops pg. 164
- Open back
- Drawers are 3" high inside

Open Bottom Right Drawers Vanity

| | | |
|------------|------|------|
| VOB3621-DR | 1087 | 1131 |
| VOB4221-DR | 1194 | 1245 |



- Use tops pg. 164
- Top drawer is 1 3/8" high inside
- Bottom drawer is 3" high inside

Double Bottom Drawer Vanity

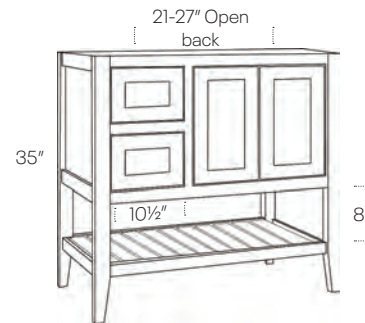
| | | |
|---------|------|------|
| VBD4221 | 1253 | 1307 |
| VBD4821 | 1280 | 1267 |



- Use tops pg. 164
- Open back
- Drawers are 3" high inside

Open Bottom Left Drawers Vanity

| | | |
|------------|------|------|
| VOB3621-DL | 1087 | 1131 |
| VOB4221-DL | 1194 | 1245 |



- Use tops pg. 164
- Top drawer is 1 3/8" high inside
- Bottom drawer is 3" high inside

Open Bottom Vanity

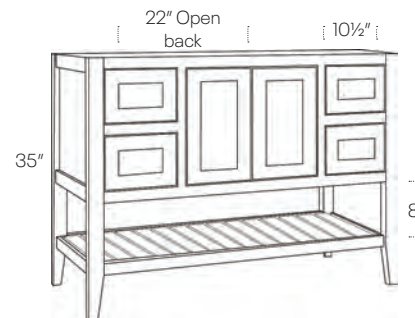
| | | |
|---------|-----|-----|
| VOB2421 | 700 | 729 |
| VOB3021 | 777 | 809 |
| VOB3621 | 854 | 890 |
| VOB4221 | 931 | 970 |



- Use tops pg. 164
- Open back

Open Bottom Double Drawers Vanity

| | | |
|------------|------|------|
| VOB4821-DD | 1583 | 1652 |
|------------|------|------|



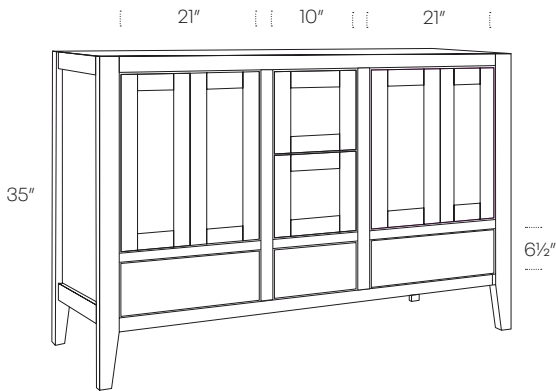
- Use tops pg. 164
- Top & bottom drawers are 3" high inside

| Item Number | K | L |
|-------------|---|---|
|-------------|---|---|

Bottom Drawer Vanity

| VBD6021-DC | 1819 | 1910 |
|------------|------|------|
|------------|------|------|

• Use tops pg. 164

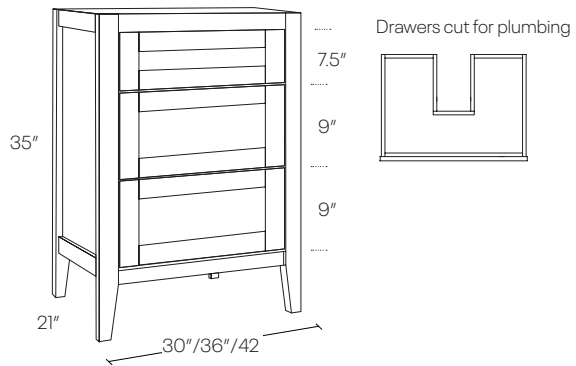


| Item Number | K | L |
|-------------|---|---|
|-------------|---|---|

Double Drawers Vanity

| | | |
|---------|------|------|
| VDD3021 | 845 | 992 |
| VDD3621 | 1030 | 1082 |
| VDD4221 | 1431 | 1503 |

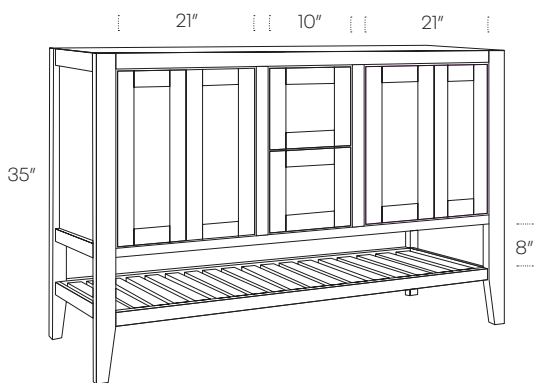
• Use tops pg. 164
• Open back



Open Bottom Vanity

| VOB6021-DC | 1660 | 1743 |
|------------|------|------|
|------------|------|------|

• Use tops pg. 164



Mirror

| | | |
|--------|-----|-----|
| MR1830 | 375 | N/A |
| MR2430 | 472 | N/A |
| MR3030 | 509 | N/A |
| MR3630 | 562 | N/A |

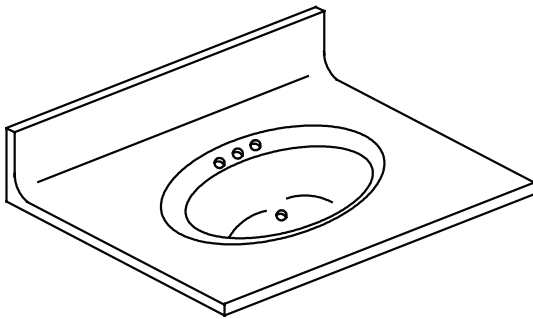


Granite Countertops

Marble Countertops

| White (MT-2) | Bisque (MT-3) |
|-----------------|------------------|
|-----------------|------------------|

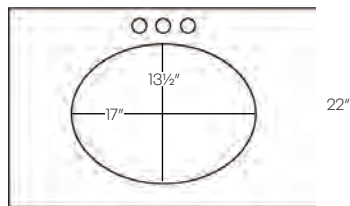
Cultured Marble Top



| | | |
|---------|-----|-----|
| MT-1917 | 110 | 116 |
| MT-2519 | 144 | 153 |
| MT-3119 | 209 | 219 |
| MT-2522 | 184 | 192 |
| MT-3122 | 225 | 239 |
| MT-3722 | 288 | 303 |
| MT-4322 | 356 | 374 |
| MT-4922 | 386 | 404 |

***Sold only in the Northeast**

- Single bowl
- 4" Spread



Granite Countertops

| Burlywood (GBWO) | Tiger Skin (GTSO) | Wheat (GWTO) | Cara White (GCWO) | Cara White (GCWS) | Absolute Black (GABO) |
|------------------|-------------------|--------------|-------------------|-------------------|-----------------------|
|------------------|-------------------|--------------|-------------------|-------------------|-----------------------|

Granite Top

Includes:

- White porcelain undermount bowl (installed)
- Loose 4" backsplash

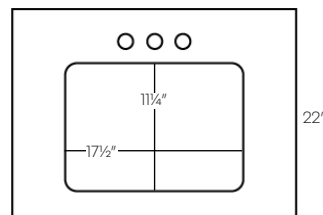
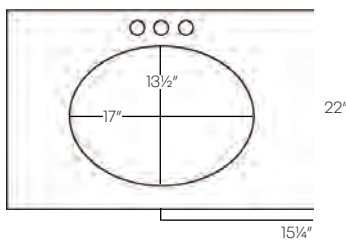
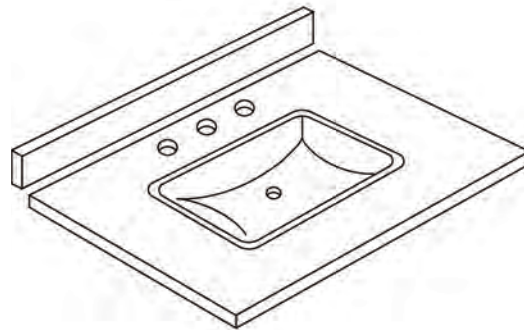
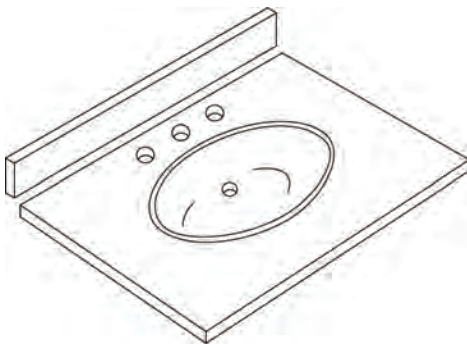
* Center bowl - 4" spread

** Center bowl - 8" spread

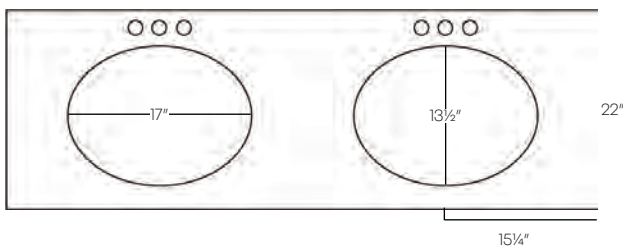
*** Double bowl - 8" spread

| | | | | | | |
|------------------------------|-----|-----|-----|------|------|------|
| CGT-2522* | 426 | 433 | 455 | 650 | N/A | 675 |
| CGT-3122* | 478 | 493 | 519 | 765 | 919 | 794 |
| CGT-3722** | 524 | 548 | 575 | 866 | 1039 | 915 |
| CGT-4322** | 567 | 608 | 639 | 961 | 1153 | 1037 |
| CGT-4922** | 642 | 678 | 713 | 1099 | 1319 | 1188 |
| CGT-6122 | 732 | 791 | 831 | 1296 | 1555 | 1374 |
| CGT-6122D*** | 878 | 932 | 981 | 1445 | 1734 | 1532 |
| SDSP-22 (side splash) | 43 | 43 | 43 | 81 | 81 | 88 |
| 6X6-SP (sample) | 12 | 12 | 12 | 12 | 12 | 12 |

*Sold only in the Northeast



- 20% upcharge
- Only Available in CW



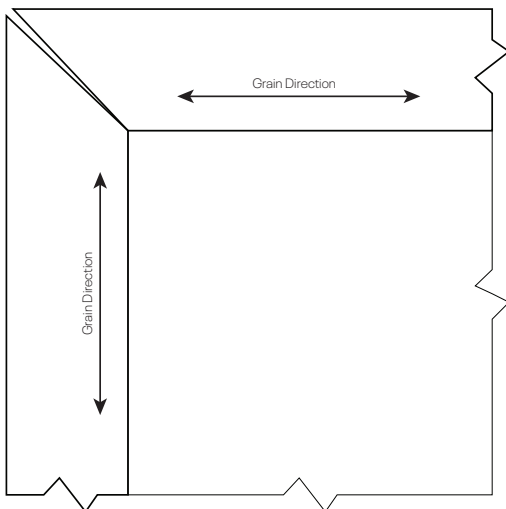
Cabinet Care & Warranty

Treat your Cabinets with Care:

- Use a soft cotton cloth.
- Do not use abrasive materials (including paper towels).
- Only use soap and warm water.
- Do not spray directly onto the cabinets.
- Do not use any chemicals.
(Note, when using a spray for other items placed near your cabinetry, be careful not to overspray on your cabinets)
- Wipe spills promptly and do not leave wet items against the wood.
- Clean glass doors with a glass cleaner.
(Be careful not to overspray on the wood)
- You can repair small nicks and scratches with our touch up kits.
- Waxing and polishing is not recommended as this can create a film or wax build up on your cabinets.
- You can dust your cabinets with a lightly damp cloth.
(Follow the grain of the wood wiping across can cause scratches)

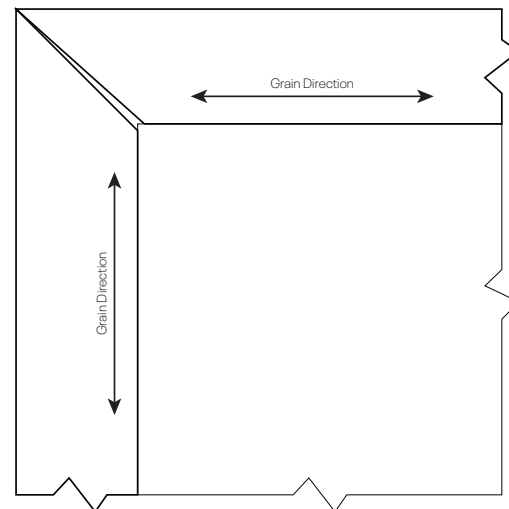
Humidification effects on door with a Miter Joint

High Humidity



When wood swells, miter joints open as shown above

Low Humidity



When wood shrinks, miter joints open as shown above

* Humidification is normal and is not considered a need for replacement.

Five Year Limited Warranty:

CNC Cabinetry Inc. warrants to the original purchaser that all Concord, Country and Classic Collection Cabinetry will be free from defects in material and workmanship under normal use for five years from the time of purchase. Please note: Natural variations in wood grain or color may cause your cabinet to not exactly match the original sample or be exactly the same as one another, this is due to the natural characteristics of wood grain and color. Additionally, the characteristic of wood is to expand and contract over time. As such hairline cracks and/or finish stress lines may become visible on painted or stained mitered doors or wooden joints, and is not considered a defect. During this period of time, CNC Cabinetry Inc. will repair or replace at our discretion, any cabinet or component that proves to be defective in material and workmanship under proper installation and normal use. This warranty does not apply to any damage that has occurred due to accident, misuse, or improper handling or cleaning of the cabinetry. Cabinetry that is stored or placed in a humid environment will not be covered under this warranty. This warranty does not apply to cabinetry that has been altered, modified, improperly installed or serviced by any unauthorized service agency. This warranty is limited to the replacement of defective parts only and does not include service, labor, or transportation charges related to the removal or installation of the defective or replacement parts. This warranty does not apply to any products used in conjunction with the cabinetry, such as countertops, appliances, or plumbing fixtures. Repair or replacement is subject to the current product offerings of styles and construction of CNC Cabinetry Inc. at that time. If a warranty claim is filed after a product becomes unavailable, CNC Cabinetry Inc. will replace that part with a part of the same or similar style based on availability. No dealer, agent, contractor, or installer has any right to change or extend the above warranty. These warranty statements only, are the expressed warrants extended by CNC Cabinetry Inc. In lieu of any other warranties, this warranty shall constitute the entire liability of CNC Cabinetry Inc. All styles, finishes, hardware and specifications are also subject to change without prior notice. CNC Cabinetry Inc. is not responsible for any typographical errors.



**America's
Best Value
In Cabinetry®**

www.cnccabinetry.com



Headquarters

101 Kentile Road
South Plainfield, NJ 07080

South East

4501 Homerun Blvd. # 300
Davenport, Florida 33837

T. 718-416-3853 **F.** 718-416-4077

— www.cnccabinetry.com

West Coast

3475 North Las Vegas Blvd
Las Vegas, NV 89115

South West

2300 East Bardin Road
Arlington, Texas 76018

